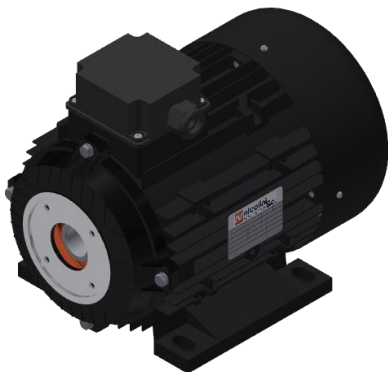
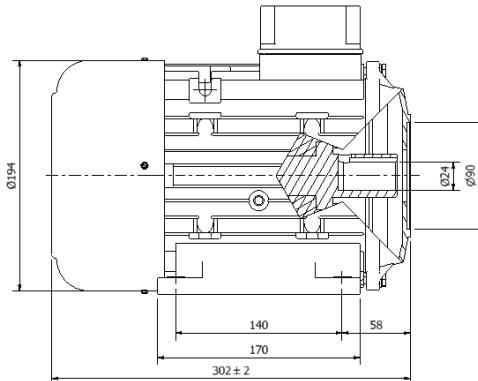
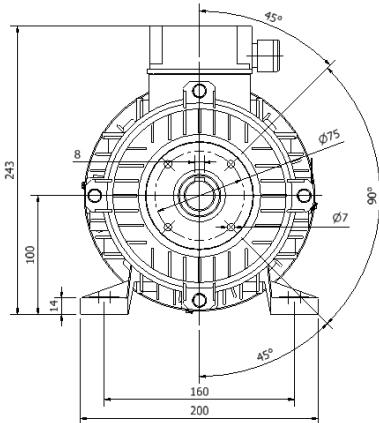


PRODUCT SHEET

THREPHASE ELECTRIC MOTOR 4,0 KW

T41004/0IN2A2M0

DIMENSIONS

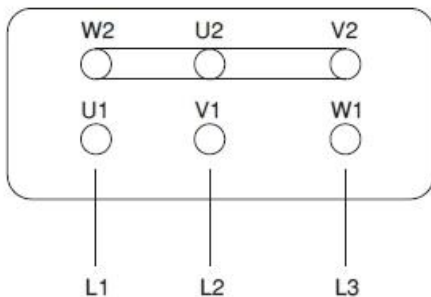


Insulation	: cl.F
Protection IP	: 54
Frame IEC	: 100
Color	: RAL9005
Material	: Alluminium

DATA

Type	RN 100c4
Rated Output	4,0 Kw
Speed	1405 rpm
Voltage	230V/400V-50Hz
Efficiency	77,5 %
Power Factor	Cosφ 0,82
Current	(400V) 9,1Amp
Starting Current	(IS/IN) 6,1
Torque	27 Nm
Starting Torque	(Cs/Cn) 2,2
Max Torque	(Cm/Cn) 2,3
Inertia Moment (J/kgm ²)	0,0071
Weight	22 Kg

Connessione trifase collegamento Stella



Connessione trifase collegamento Triangolo

