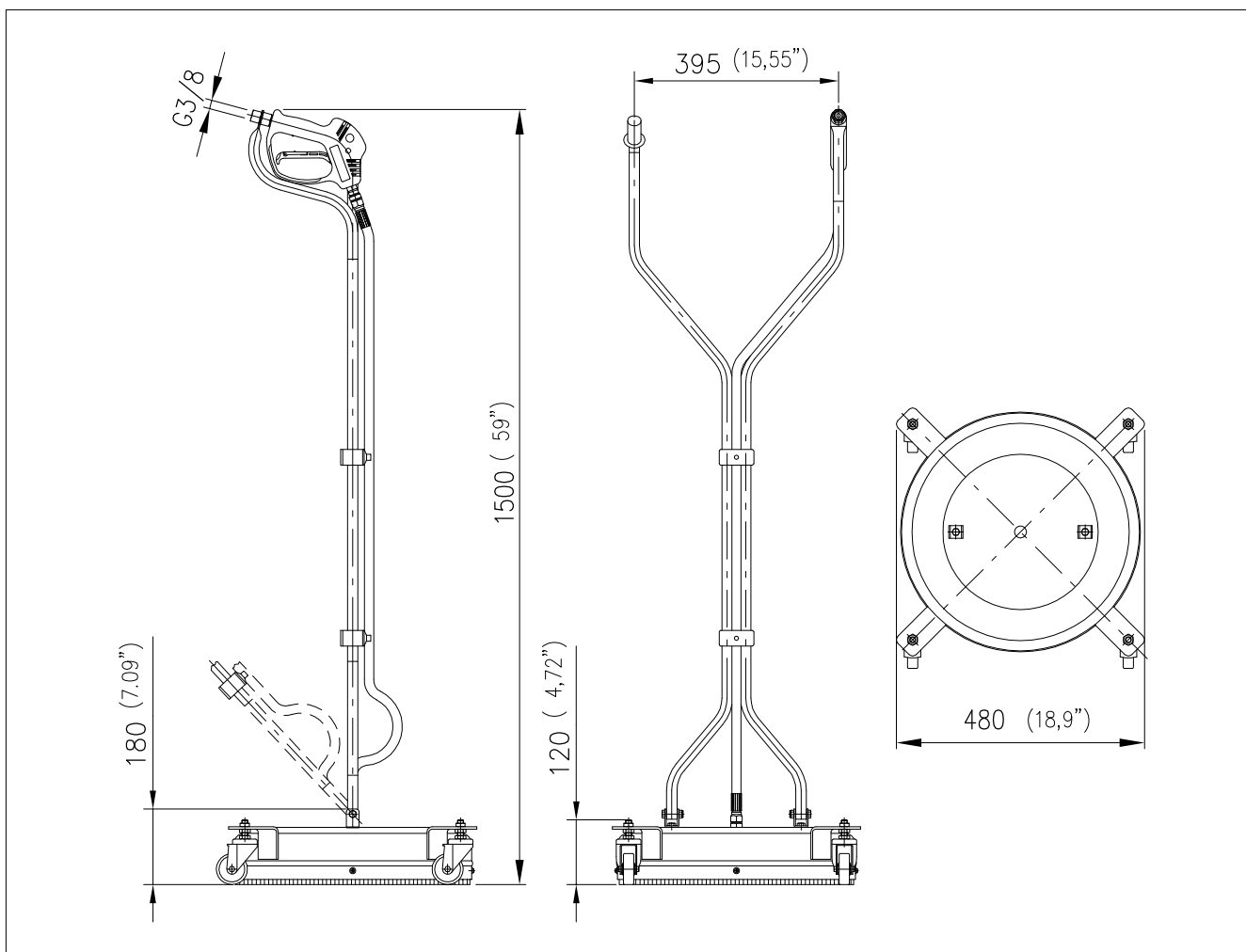
	EQUIPAGGIAMENTI TECNICI LAVAGGIO	29.0700.10 LPR8 LAVAPAVIMENTI INOX STAINLESS STEEL FLOOR CLEANER	I GB	4
			16/02/11	

LPR8/2

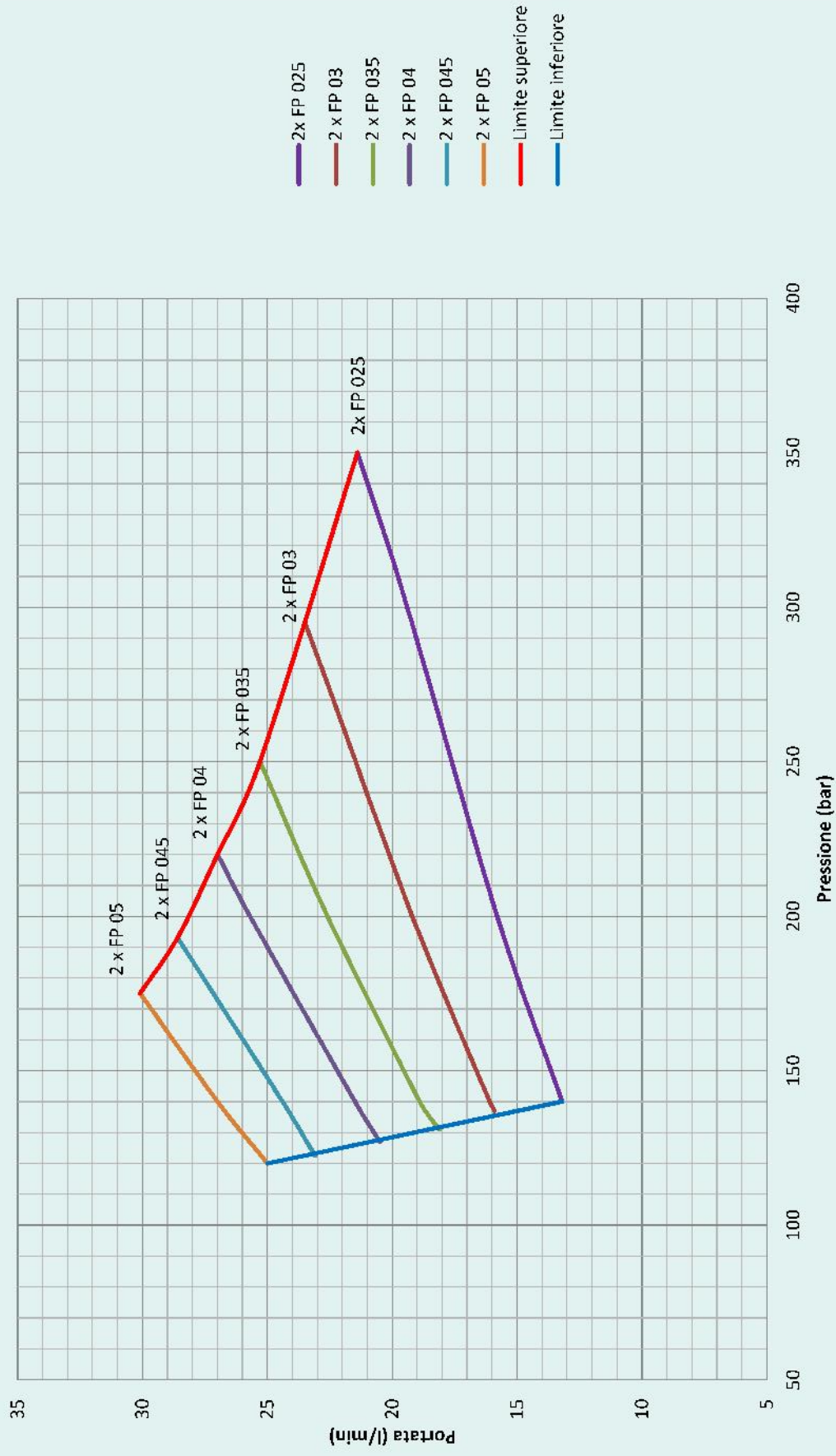
CARATTERISTICHE TECNICHE SPECIFICATIONS

- PRESSIONE NOMINALE RATED PRESSURE	350 bar – 35 MPa (5100 psi)
- PRESSIONE CONSENTITA PERMISSIBLE PRESSURE	390 bar – 39 MPa (5650 psi)
- PORTATA MASSIMA MAX FLOW RATE	30 l/min (8 USG p.m.)
- TEMPERATURA MASSIMA MAX WORKING TEMPERATURE	80° C (175°F)
- LARGHEZZA DI LAVAGGIO CLEANING WIDTH	ø450 mm (ø17.72")
- UGELLI NOZZLES	N° 2 1/8 NPT

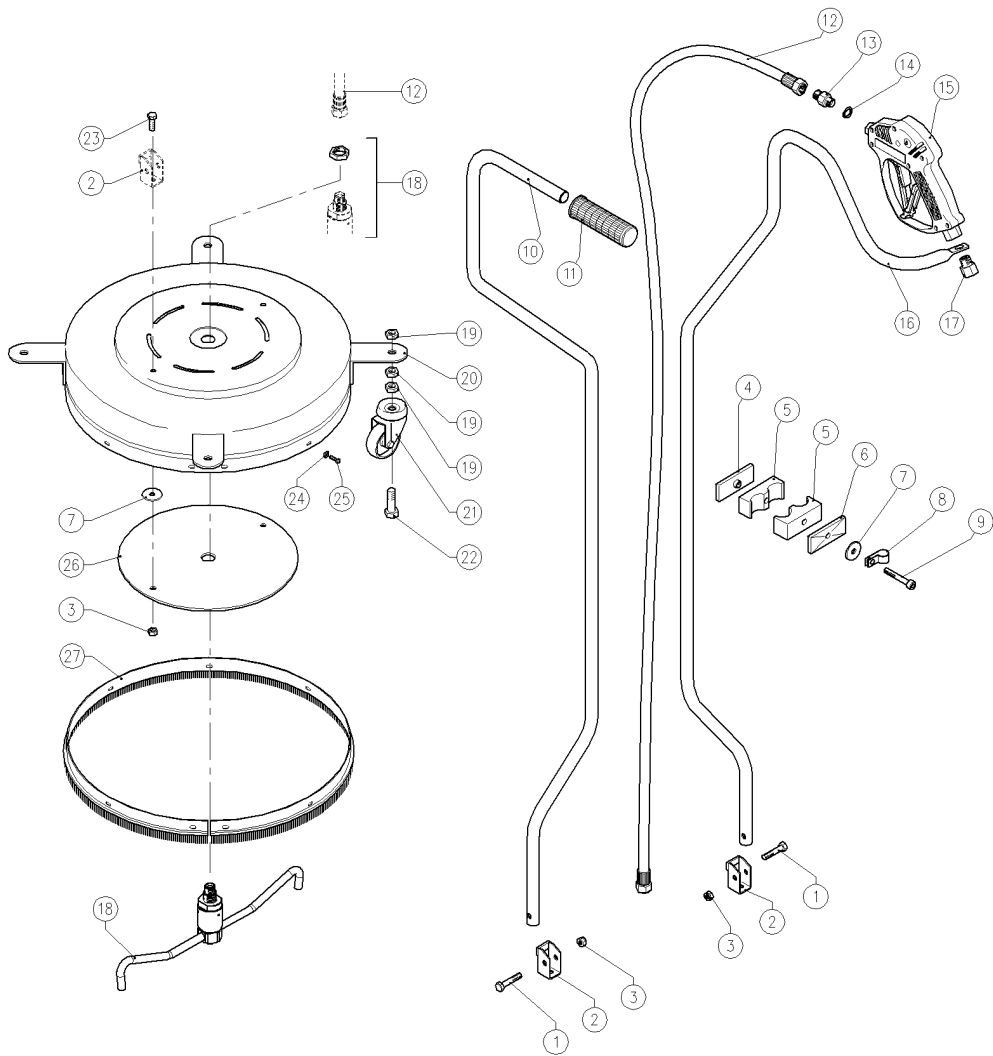
MISURE D'INGOMBRO OVERALL DIMENSIONS



Campo di utilizzo. Angolo ugelli 8°

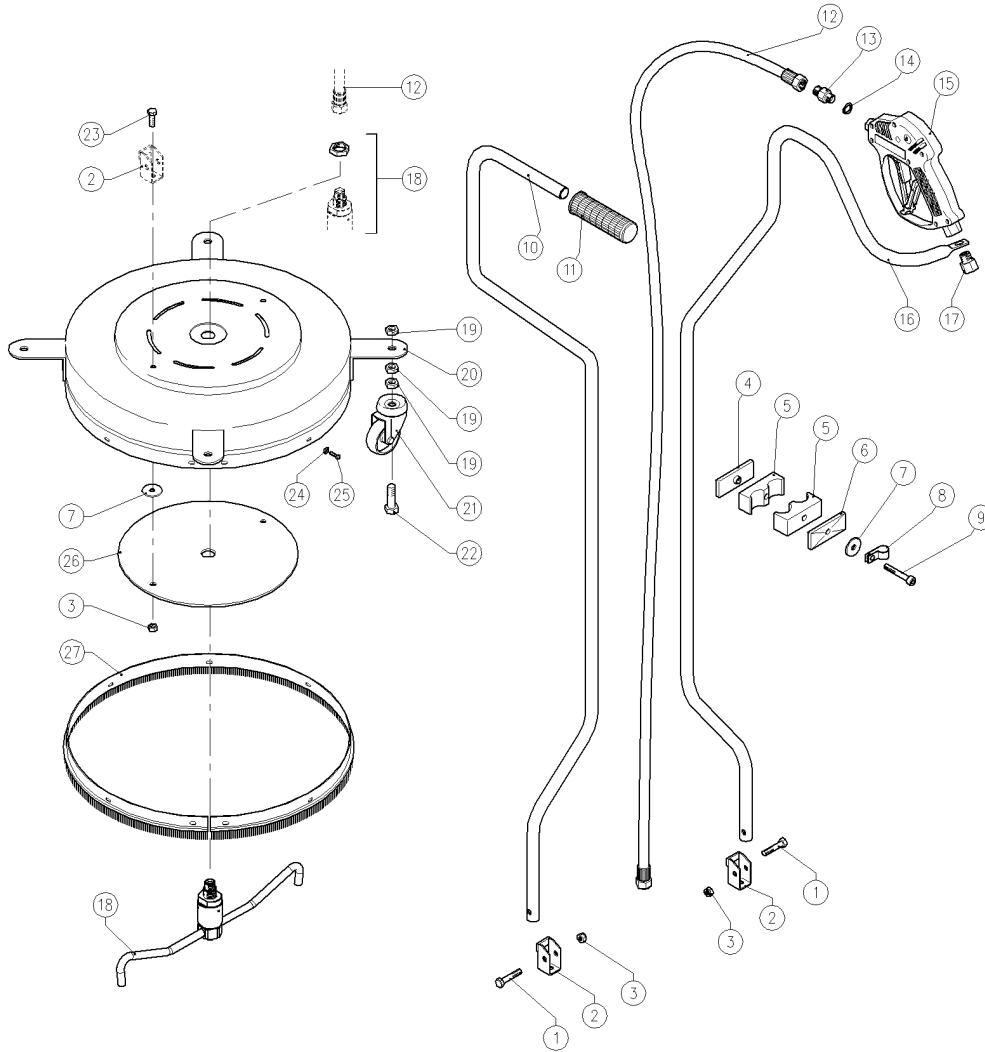


29.0700.10 LPR8/2 lavapav.inox,G3/8F,450mm,ug.rot.



Pos.	Codice	Descrizione	Q.tà	K1	K2	K3	K4	Pos.	Codice	Descrizione	Q.tà	K1	K2	K3	K4
1	16.1958.40	Vite DIN933 M8x40 mm inox	2				10	15	30.4500.10	RL56 pistola G3/8F-G1/4F	1				8
2	29.0697.21	Supporto ad U inox +placca	2				4	16	29.0683.56	Manubrio destro inox	1				1
3	11.4591.00	Dado es. M8 autobloc. inox	4				10	17	29.0689.31	Racc. G3/8 MF ott.	1				5
4	11.0401.08	Piastra inox	2				2	18	26.1440.00	GR38/400 - Test.rot. G3/8M - 2x1/8F-0,4m	1				1
5	11.0400.00	Collare tubo 20x20 mm	2				2	19	11.4735.00	Dado es. M12 inox	12				10
6	29.0698.53	Piastra inox	2				1	20	29.0681.21	Scocca LPR inox + staffe	1				1
7	14.3575.32	Rosetta 8,4x30x2,5 mm inox	4				10	21	14.5060.10	Ruota d.60 mm +suppor. inox	4				4
8	11.7519.00	Fascetta d.30 mm inox	2				5	22	16.1962.50	Vite DIN933 M12x40 mm inox	4				10
9	16.1955.45	Vite DIN912 M8x50 mm inox	2				10	23	16.1958.20	Vite DIN933 M8x20 mm inox	2				10
10	29.0682.56	Manubrio sinistro inox	1				1	24	11.4512.00	Dado quadro M4	7				10
11	12.8317.20	Manopola	1				3	25	16.1840.10	Vite DIN7985 M4x14 mm inox	7				10
12	16.0509.15	Tubo flessib. G3/8F-F 1,4m blu	1				3	26	29.0685.53	Contrappeso inox	1				1
13	13.5011.00	Nipplo riduz. zinc. G1/4M - G3/8M	1				25	27	29.0690.23	Spazzola rotonda LPR inox+PA bianco	1				1
14	14.3911.00	Rosetta 13,5x19x1,5 mm Cu	1				10								

29.0700.10 LPR8/2 floor cl,sst 3/8F Bsp,450mm,rot.nzl



Pos.	P/N	Description	Q.ty	K1	K2	K3	K4	Pos.	P/N	Description	Q.ty	K1	K2	K3	K4
1	16.1958.40	Screw, DIN933 M8x40 mm Sst.	2				10	15	30.4500.10	RL56 spr.gun 3/8F-1/4F Bsp	1				8
2	29.0697.21	U-rest, Sst. +plaque	2				4	16	29.0683.56	Right handlebar, Sst.	1				1
3	11.4591.00	Hex. locknut, M8 Sst.	4				10	17	29.0689.31	Coupling, 3/8Bsp MF brass	1				5
4	11.0401.08	Plate, sst.	2				2	18	26.1440.00	GR38/400 - Rotating Head, 2x1/8FNpt -400m	1				1
5	11.0400.00	Collar, d.20x20 mm	2				2	19	11.4735.00	Hex. nut, M12, Sst.	12				10
6	29.0698.53	Plate, Sst.	2				1	20	29.0681.21	Casing -LPR, Sst. + plates	1				1
7	14.3575.32	Washer, 8,4x30x2,5 mm Sst.	4				10	21	14.5060.10	Rubber wheel, d.60 mm +Sst. rest	4				4
8	11.7519.00	Hose clamp, d.30 mm Sst.	2				5	22	16.1962.50	Screw, DIN933 M12x40 mm Sst.	4				10
9	16.1955.45	Screw, DIN912 M8x50 mm Sst.	2				10	23	16.1958.20	Screw, DIN933 M8x20 mm Sst.	2				10
10	29.0682.56	Left handlebar, Sst.	1				1	24	11.4512.00	Square nut M4	7				10
11	12.8317.20	Knob	1				3	25	16.1840.10	Screw, DIN7985 M4x14 mm Sst.	7				10
12	16.0509.15	Hose, 3/8F Bsp-F 1,4m blue	1				3	26	29.0685.53	Counterweight, Sst.	1				1
13	13.5011.00	Reduct.nipple, .z.pl. 1/4M-3/8M Bsp	1				25	27	29.0690.23	Round Brush -LPR, Sst.+PA white	1				1
14	14.3911.00	Washer, 13,5x19x1,5 mm Cu	1				10								