

# NHDP – 120 BAR

Caratteristiche Tecniche

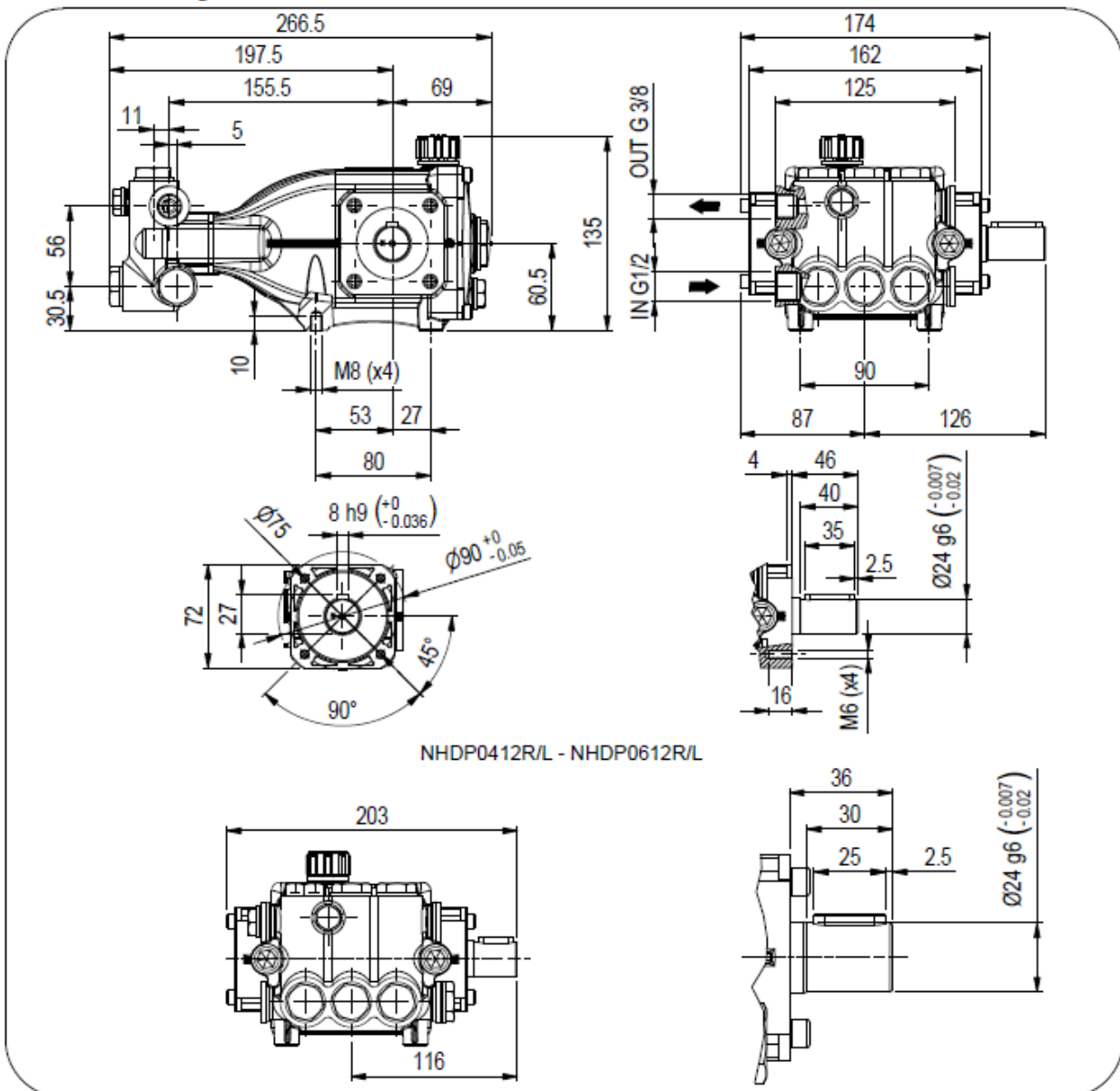
Albero maschio – Solid shaft

Technical Characteristics

| Pump<br>Pompa | Pressure<br>Pressione |      | Volume<br>Portata |       |       |       | RPM<br>giri/min |       | Power<br>Potenza |       |       |       |
|---------------|-----------------------|------|-------------------|-------|-------|-------|-----------------|-------|------------------|-------|-------|-------|
|               |                       |      | l/min             |       | GPM   |       |                 |       | HP               |       | kW    |       |
|               | bar                   | PSI  | 50 Hz             | 60 Hz | 50 Hz | 60 Hz | 50 Hz           | 60 Hz | 50 Hz            | 60 Hz | 50 Hz | 60 Hz |
| NHDP0412      | 120                   | 1740 | 4                 | 4.8   | 1.1   | 1.3   | 1450            | 1740  | 1.2              | 1.5   | 0.9   | 1.1   |
| NHDP0612      | 120                   | 1740 | 6                 | 7.2   | 1.6   | 1.9   | 1450            | 1740  | 1.9              | 2.3   | 1.4   | 2.3   |
| NHDP8512      | 120                   | 1740 | 8.5               | 10.1  | 2.2   | 2.7   | 1450            | 1740  | 2.6              | 3.1   | 1.9   | 2.3   |
| NHDP1012      | 120                   | 1740 | 10                | 12    | 2.6   | 3.2   | 1450            | 1740  | 3.0              | 3.6   | 2.2   | 2.6   |
| NHDP1112      | 120                   | 1740 | 11                | 13.2  | 2.9   | 3.5   | 1450            | 1740  | 3.4              | 4.1   | 2.5   | 3.0   |
| NHDP1212      | 120                   | 1740 | 12                | 14    | 3.1   | 3.7   | 1450            | 1740  | 3.6              | 4.4   | 2.7   | 3.2   |

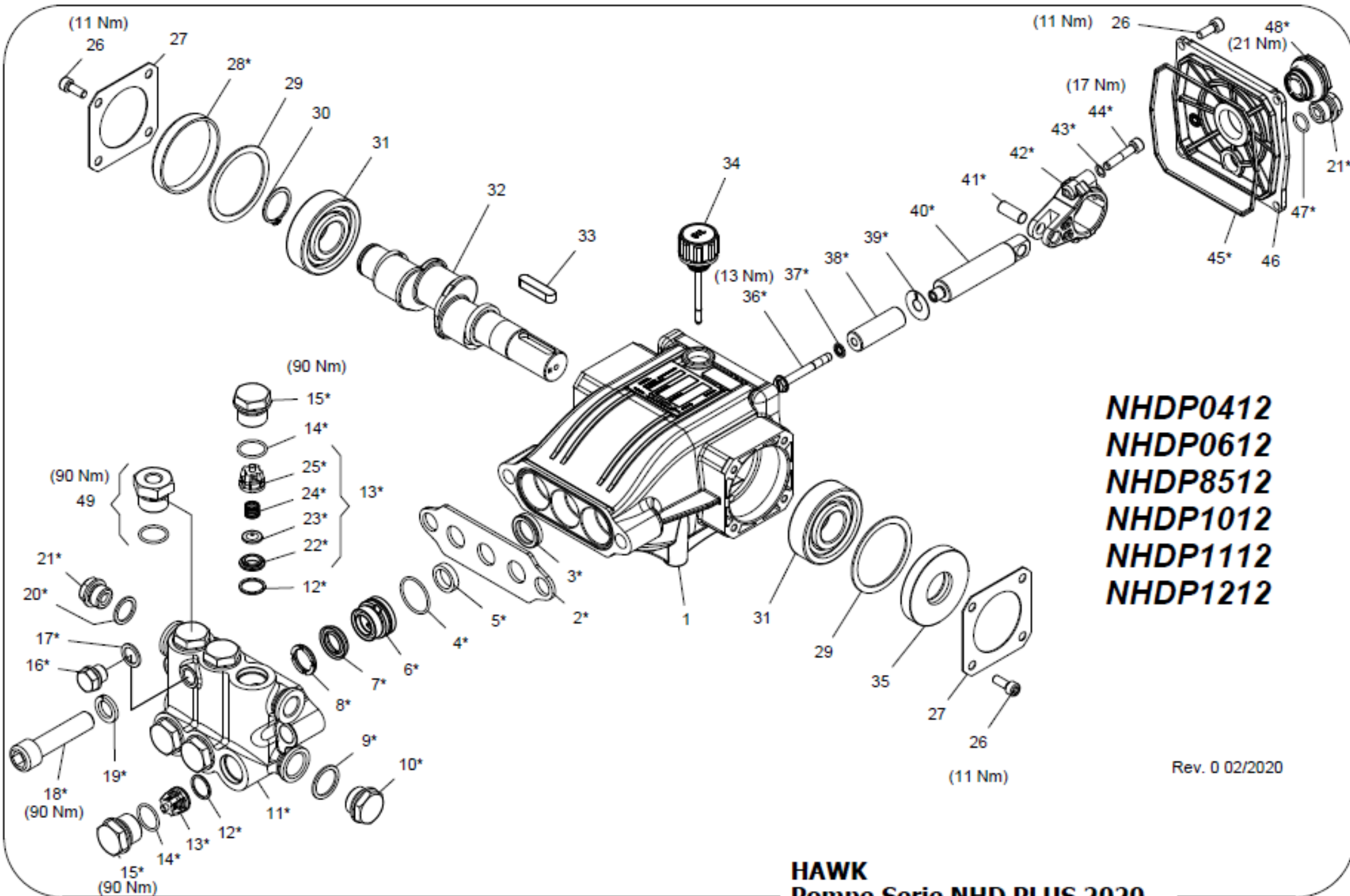
Dimensioni d'ingombro

Overall dimensions



Lubrificazione: Olio SAE 10W40  
 Capacità: 0.4 Litri  
 Peso pompa: 8.2kg

Lubrication: SAE 10W40 Oil  
 Capacity: 0.4 Litres  
 Weight: 8.2 kg



**NHDP0412**  
**NHDP0612**  
**NHDP8512**  
**NHDP1012**  
**NHDP1112**  
**NHDP1212**

Rev. 0 02/2020

**HAWK**  
**Pompe Serie NHD PLUS 2020**  
**NHD PLUS Pumps 2020 Serie**

## NHDP 2020 SERIES

### ORDINARY MAINTENANCE KIT / KIT MANUTENZIONE ORDINARIA

| KIT | Item Pos.                     | Part Number Codice | Description              | Descrizione             | Q.TY by Pump<br>Q.TA per Pompa | NHDP0412R/L | NHDP0612R/L | NHDP8512R/L | NHDP1012R/L | NHDP1112R/L | NHDP1212R/L |
|-----|-------------------------------|--------------------|--------------------------|-------------------------|--------------------------------|-------------|-------------|-------------|-------------|-------------|-------------|
|     |                               |                    |                          |                         |                                |             |             |             |             |             |             |
| A   | 4- 5 - 6 - 7- 8<br>18         | 1.904-739.0        | PLUNGER SEALS DIA. 16 mm | GUARNIZIONI PISTONE Ø16 | 1                              |             |             |             |             |             |             |
| B   | 12- 13 (22- 23<br>24- 25) -15 | 1.905-617.0        | COMPLETE VALVE           | VALVOLA COMPLETA        | 1                              | •           | •           | •           | •           | •           | •           |

### EXTRAORDINARY MAINTENANCE KIT / KIT MANUTENZIONE STRAORDINARIA

| KIT | Item Pos.   | Part Number Codice | Description                        | Descrizione                       | Q.TY by Pump<br>Q.TA per Pompa | NHDP0412R/L | NHDP0612R/L | NHDP8512R/L | NHDP1012R/L | NHDP1112R/L | NHDP1212R/L |
|-----|---|--------------------|------------------------------------|-----------------------------------|--------------------------------|-------------|-------------|-------------|-------------|-------------|-------------|
|     |   |                    |                                    |                                   |                                |             |             |             |             |             |             |
| C   | 36 - 37- 38- 39   | 1.099-738.0        | PLUNGER DIA. 16 mm                 | PISTONE Ø16                       | 3                              |             |             |             |             |             |             |
| D   | 3   | 1.099-740.0        | PLUNGER OIL SEALS                  | ANELLI TENUTA OLIO ASTA           | 1                              |             |             |             |             |             |             |
| E   | 21- 28- 35- 45<br>47- 48  | 1.905-624.0        | KIT CRANKCASE SEALS                | KIT TENUTE CARTER                 | 1                              |             |             |             |             |             |             |
| F   | 4 - 5- 6- 7 8 -<br>9- 10- 11- 12<br>13(21 - 22- 23<br>- 24) - 16 - 17-<br>18 - 19- 20- 21 | 1.904-740.0        | COMPLETE MANIFOLD                  | TESTATA COMPLETA                  | 1                              | •           | •           | •           | •           | •           | •           |
| G   | 40 - 41- 42-<br>43- 44  | 1.905-742.0        | CONNECTING ROD PLUNGER<br>ROD ASSY | PREMONTATO ASTA-BIELLA<br>PISTONE | 3                              |             |             |             |             |             |             |
| H   | 14- 15  | 1.904-249.0        | VALVE PLUG ASSY                    | PREMONTATO TAPPO VAM              | 6                              |             |             |             |             |             |             |

**“Q.TY by Pump” => Necessary quantity to repair one pump**  
**“Q.TA’ per Pompa” => Quantità necessaria per riparare una pompa**

### OPTIONAL

| Item Pos. | Part Number Codice | Description              | Descrizione             | Q.TY by Pump Q.TA per Pompa | NHDP0412R/L | NHDP0612R/L | NHDP8512R/L | NHDP1012R/L | NHDP1112R/L | NHDP1212R/L |
|-----------|--------------------|--------------------------|-------------------------|-----------------------------|-------------|-------------|-------------|-------------|-------------|-------------|
| 49        | 9.853-424.0        | THREADED BRASS PLUG G1/4 | PREMONTATO TAPPO FORATO | 1                           | •           | •           | •           | •           | •           | •           |

### TOOL KIT

| Part Number Codice | Description            | Descrizione                        | Q.TY by Pump Q.TA per Pompa | NHDP0412R/L | NHDP0612R/L | NHDP8512R/L | NHDP1012R/L | NHDP1112R/L | NHDP1212R/L |
|--------------------|------------------------|------------------------------------|-----------------------------|-------------|-------------|-------------|-------------|-------------|-------------|
| 1.099-668.0        | TOOL-KIT               | TOOL-KIT                           | 1                           | •           | •           | •           | •           | •           | •           |
| 1.905-591.0        | TOOL-KIT EXTRAORDINARY | TOOL-KIT MANUTENZIONE STRAORINARIA | 1                           | •           | •           | •           | •           | •           | •           |

#### IMPORTANT

#### IMPORTANTE

\* **Part available ONLY in kit**  
**Disponibile SOLO in kit**

(...) **Parts pre-assembled**  
**Parti pre-assemblate**

### PARTS LIST LISTA PARTI

| Item Pos | Part Number Codice | Description                  | Descrizione                     | KIT   | Q.TY<br>Q.TÀ | NHDP0412R/L | NHDP0612R/L | NHDP8512R/L | NHDP1012R/L | NHDP1112R/L | NHDP1212R/L |
|----------|--------------------|------------------------------|---------------------------------|-------|--------------|-------------|-------------|-------------|-------------|-------------|-------------|
| 1        | 9.850-369.0        | CRANKCASE                    | CARTER                          |       | 1            |             |             |             |             |             |             |
| 2        | 9.853-555.0        | NHD PLUS CYLINDERHEAD SPACER | DISTANZIALE TESTATA NHD PLUS    |       | 1            |             |             |             |             |             |             |
| 3*       |                    | PLUNGER OIL SEAL             | ANELLO RADIALE                  | D     | 3            |             |             |             |             |             |             |
| 4*       |                    | "O" RING Ø1.78X26.7          | "O" RING Ø1.78X26.7             | A-F   | 3            |             |             |             |             |             |             |
| 5*       |                    | "U" SEAL, DIA. 16 MM         | ANELLO TENUTA "U" Ø16           | A-F   | 3            |             |             |             |             |             |             |
| 6*       |                    | PRESSURE RING DIA. 16 MM     | PRESSORE Ø16 "V" PLASTICA (NHD) | A-F   | 3            |             |             |             |             |             |             |
| 7*       |                    | "V" SEAL, DIA. 16 MM         | ANELLO TENUTA "V" Ø16           | A-F   | 3            |             |             |             |             |             |             |
| 8*       |                    | SUPPORT RING DIA. 16 MM      | DIFFUSORE Ø16                   | A-F   | 3            |             |             |             |             |             |             |
| 9*       |                    | COPPER WASHER G1/2           | GUARNIZIONE RAME G1/2           | F     | 1            |             |             |             |             |             |             |
| 10*      |                    | BRASS PLUG G1/2              | TAPPO OTTONE G1/2               | F     | 1            |             |             |             |             |             |             |
| 11*      |                    | CYLINDERHEAD                 | TESTATA NHD PLUS OT58           | F     | 1            |             |             |             |             |             |             |
| 12*      |                    | "O" RING Ø1.78X15.6          | "O" RING Ø1.78X15.6             | B-F   | 6            |             |             |             |             |             |             |
| 13*      |                    | VALVE ASSEMBLY               | VALVOLA PREMONTATA              | B-F   | 6            |             |             |             |             |             |             |
| 14*      |                    | "O" RING Ø1,78X18.77         | "O" RING Ø1.78X18.77            | B-F-H | 6            |             |             |             |             |             |             |
| 15*      |                    | VALVE PLUG                   | TAPPO VALVOLA                   | F-H   | 6            |             |             |             |             |             |             |
| 16*      |                    | BRASS PLUG G1/4              | TAPPO OTTONE G1/4               | F     | 1            | •           | •           | •           | •           | •           | •           |
| 17*      |                    | COPPER WASHER G1/4           | GUARNIZIONE RAME G1/4           | F     | 1            |             |             |             |             |             |             |
| 18*      |                    | MANIFOLD STUD BOLT M14X60    | VITE TCEI M14X60                | A-F   | 2            |             |             |             |             |             |             |
| 19*      |                    | LOCK-WASHER                  | ROSETTA ELASTICA Ø14            | F     | 2            |             |             |             |             |             |             |
| 20*      |                    | COPPER WASHER G3/8           | GUARNIZIONE RAME G 3/8          | F     | 1            |             |             |             |             |             |             |
| 21*      |                    | BRASS PLUG G 3/8             | TAPPO OTTONE G 3/8              | F-E   | 2            |             |             |             |             |             |             |
| 22*      |                    | VALVE SEAT                   | SEDE VALVOLA                    | B-F   | 6            |             |             |             |             |             |             |
| 23*      |                    | VALVE PLATE                  | PIATTELLO VALVOLA               | B-F   | 6            |             |             |             |             |             |             |
| 24*      |                    | VALVE SPRING                 | MOLLA VALVOLA                   | B-F   | 6            |             |             |             |             |             |             |
| 25*      |                    | VALVE CAGE                   | GABBIA VALVOLA                  | B-F   | 6            |             |             |             |             |             |             |
| 26       | 9.851-474.0        | SCREW M6X16                  | VITE TCEI M6X16                 |       | 12           |             |             |             |             |             |             |
| 27       | 9.850-379.0        | BEARING COVER                | COPERCHIO CUSCINETTO            |       | 2            |             |             |             |             |             |             |
| 28*      |                    | BEARING SEAL                 | CAPPELLOTTO CUSCINETTO          | E     | 1            |             |             |             |             |             |             |
| 29       | 9.850-554.0        | CRANKSHAFT SEAL SPACER       | DISTANZIALE PARAOLIO ALBERO     |       | 2            |             |             |             |             |             |             |
| 30       | 9.851-198.0        | SNAP RING DIA. 25 MM         | ANELLO Ø25                      |       | 1            |             |             |             |             |             |             |
| 31       | 9.850-460.0        | BALL BEARING                 | CUSCINETTO A SFERE              |       | 2            |             |             |             |             |             |             |
| 32       | 9.850-225.0        | SINGLE-ENDED SHAFT           | ALBERO SEMPLICE P.D.F           |       | 1            |             |             |             |             |             | •           |
|          | 9.850-226.0        | " " "                        | " " "                           |       | 1            |             |             | •           |             |             |             |
|          | 9.850-227.0        | " " "                        | " " "                           |       | 1            |             |             |             | •           |             |             |
|          | 9.851-956.0        | " " "                        | " " "                           |       | 1            |             |             |             |             |             | •           |
|          | 9.850-245.0        | " " "                        | " " "                           |       | 1            | •           |             |             |             |             |             |
|          | 9.850-246.0        | " " "                        | " " "                           |       | 1            |             | •           |             |             |             |             |

| Item Pos | Part Number Codice | Description                      | Descrizione                      | KIT | Q.TY<br>Q.TÀ | NHDP0412R/L | NHDP0612R/L | NHDP8512R/L | NHDP1012R/L | NHDP1112R/L | NHDP1212R/L |
|----------|--------------------|----------------------------------|----------------------------------|-----|--------------|-------------|-------------|-------------|-------------|-------------|-------------|
| 33       | 9.850-446.0        | CRANKSHAFT KEY                   | CHIAVETTA                        |     | 1            |             |             | •           | •           | •           | •           |
|          | 9.850-443.0        | " "                              | "                                |     | 1            | •           | •           |             |             |             |             |
| 34       | 9.851-286.0        | OIL DIP STICK                    | TAPPO LIVELLO OLIO               |     | 1            |             |             |             |             |             |             |
| 35*      |                    | CRANKSHAFT SEAL                  | ANELLO RADIALE                   | E   | 1            |             |             |             |             |             |             |
| 36*      |                    | PLUNGER BOLT                     | VITE PISTONE                     | C   | 3            |             |             |             |             |             |             |
| 37*      |                    | BONDED SEAL - Ø6,7X11X1 AISI 304 | BONDED SEAL - Ø6,7X11X1 AISI 304 | C   | 3            |             |             |             |             |             |             |
| 38*      |                    | PLUNGER DIA. 16 MM               | PISTONE Ø16                      | C   | 3            |             |             |             |             |             |             |
| 39*      |                    | COPPER SPACER                    | ROSETTA RAME                     | C   | 3            |             |             |             |             |             |             |
| 40*      |                    | PLUNGER ROD                      | ASTA PISTONE                     | G   | 3            |             |             |             |             |             |             |
| 41*      |                    | CONNECTING ROD PIN               | SPINOTTO                         | G   | 3            | •           | •           | •           | •           | •           | •           |
| 42*      |                    | CONNECTING ROD                   | BIELLA                           | G   | 3            |             |             |             |             |             |             |
| 43*      |                    | SPRING WASHER DIA. 6 MM          | ROSETTA SCHNORR Ø6               | G   | 6            |             |             |             |             |             |             |
| 44*      |                    | CONNECTING ROD SCREW             | VITE M6X30                       | G   | 6            |             |             |             |             |             |             |
| 45*      |                    | "O" RING Ø2.62X111.62            | "O" RING Ø2.62X111.62            | E   | 1            |             |             |             |             |             |             |
| 46       | 9.850-392.0        | CRANKCASE COVER                  | COPERCHIO POSTERIORE             |     | 1            |             |             |             |             |             |             |
| 47*      |                    | "O" RING Ø1.78X14                | "O" RING Ø1.78X14                | E   | 1            |             |             |             |             |             |             |
| 48*      |                    | SIGHT GLASS G3/4                 | SPIA LIVELLI OLIO G3/4           | E   | 1            |             |             |             |             |             |             |