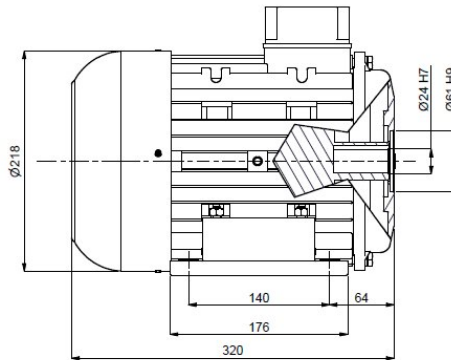
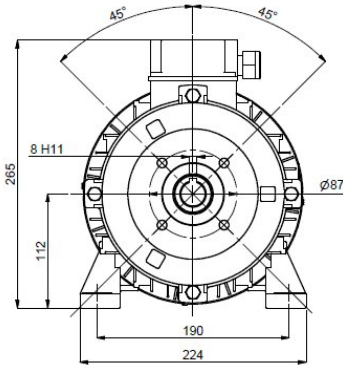


PRODUCT SHEET

THREEPHASE ELECTRIC MOTOR 5,5 KW

T41 125/5IN1A2M0

DIMENSIONS

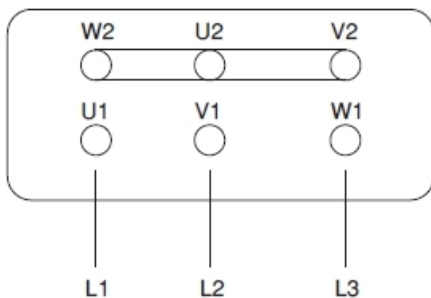


Insulation	: cl. F
Protection IP	: 54
Frame IEC	: 112
Color	: RAL9005
Material	: Aluminium

DATA

Type	RN112b4
Rated Output	5,5 Kw
Speed	1420 rpm
Voltage	230/400V-50Hz
Efficiency	80,4%
Power Factor	Cosφ 0,81
Current	(400V) 12,2Amp
Starting Current	(IS/IN) 6,8
Torque	37 Nm
Starting Torque	(Cs/Cn) 2,3
Max Torque	(Cm/Cn) 2,4
Inertia Moment	(J/kgm ²) 0,022
Weight	32,0 Kgs

**Connessione trifase
collegamento Stella**



**Connessione trifase
collegamento Triangolo**

