



Motore monofase fornito completo di:

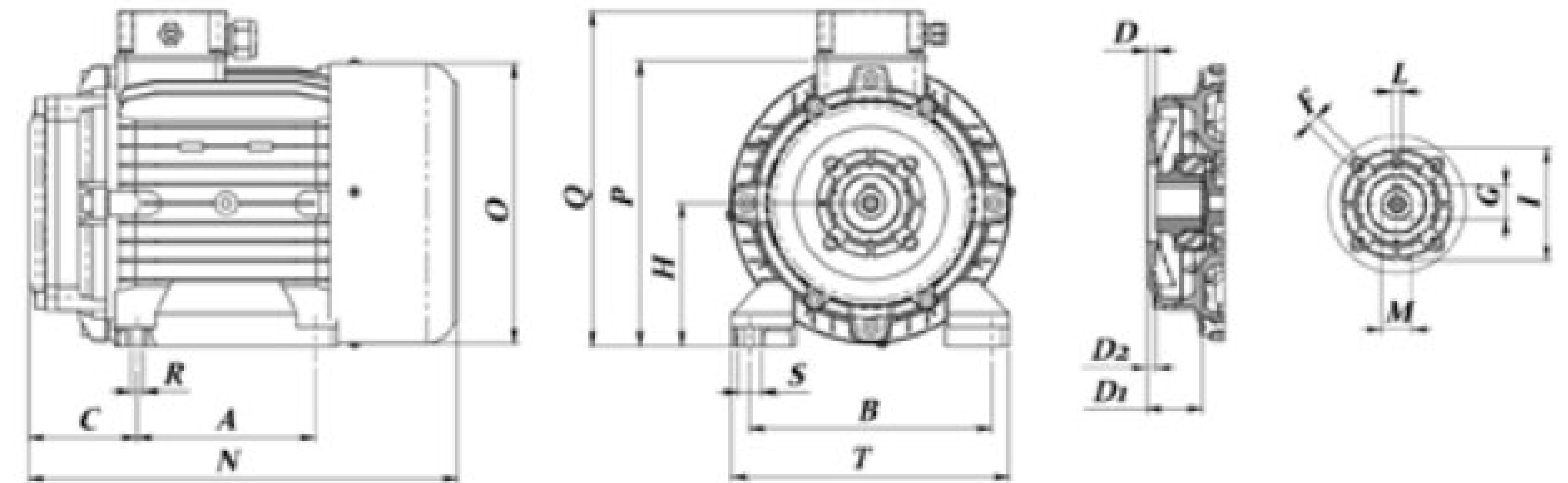
- ➔ 1 condensatore 90mf (lavoro)
- ➔ 2 condensatori 100mf per partenza
- ➔ Disgiuntore

Monophase version supplied with

- ➔ 1 condenser 90mf (work)
- ➔ 2 condensers 100mf (start)
- ➔ 1 start condenser

Code	Phase	V	Hz	Ampere	hp (kw)	RPM	weight	Mazzone pumps
2.081.12.020	1	230	50	16	4 (3)	1450	33	PM
2.081.12.013	3	230/400	50	15.4 - 8.9	5.5 (4)	1450	33	MM
2.081.12.026	3	230/400	50	15.4 - 8.9	5.5 (4)	1450	33	PM
2.081.12.001	3	230/400	50	21 - 12	7.5 (5.5)	1450	33	MM
2.081.12.021	3	230/400	50	21 - 12	7.5 (5.5)	1450	33	PM

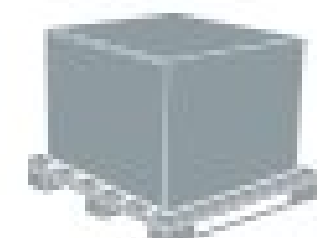
DIMENSIONI / DIMENSIONS



Codice Code	A	B	C	D	E	F	G	H	I	L	M	N	O	P	Q	R	S	T	D1	D2
2.081.12.020	140	190	85	11	90	7	27.3	112	75	8	24	336	218	226	265	12	22	224	50	13.5
2.081.12.013	140	190	85	6	61	10	27.3	112	88	8	24	336	218	226	265	12	22	224	45	9
2.081.12.026	140	190	85	11	90	7	27.3	112	75	8	24	336	218	226	265	12	22	224	50	13.5
2.081.12.001	140	190	85	6	61	10	27.3	112	88	8	24	336	218	226	265	12	22	224	45	9
2.081.12.021	140	190	85	11	90	7	27.3	112	75	8	24	336	218	226	265	12	22	224	50	13.5

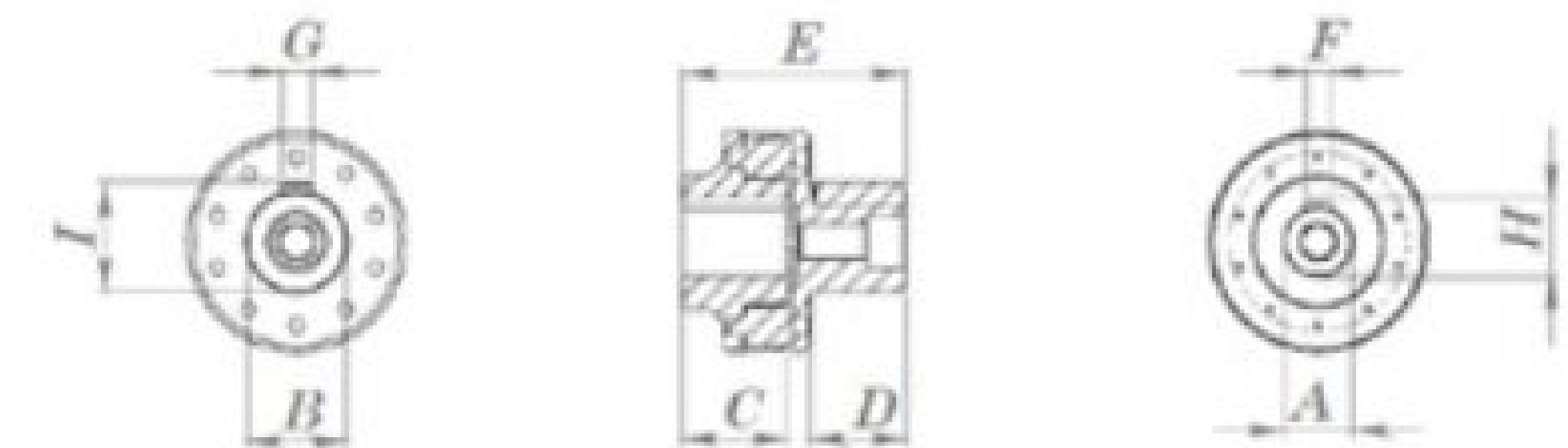
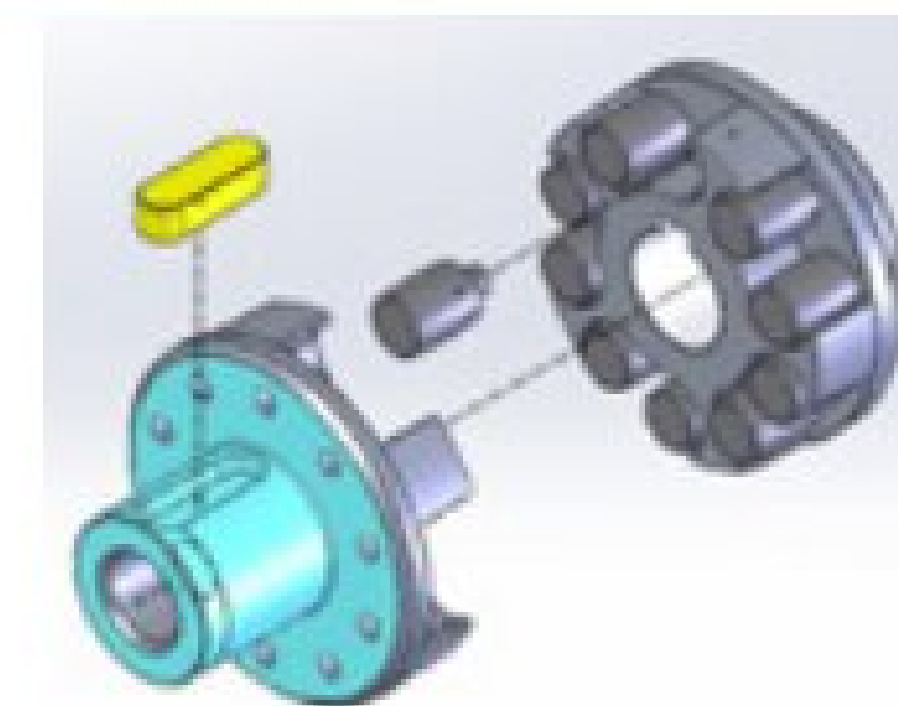
GIRI ROUNDS	FASE PHASE	VOLT	HP (Kw)	RENDIMENTO EFFICIENCY	A	Cos φ	Hz
1450	1	230	4 (3)	82%	16	0.98	50
	3	230/400	5.5 (4)	88%	15.4 - 8.9	0.90	
	3	230/400	7.5 (5.5)	86%	21 - 12	0.85	

Versione monofase fornita con condensatore 60mf / Monophase version supplied with condenser 60mf included



PEZZI PER PALLET / PIECES EACH PALLET	CM	INCH	KG	LBS
1	75X60X50	29.52X23.62X19.68	37	81.57
5	100X65X50	39.37X25.6X19.68	180	396.83

GIUNTO ELASTICO / ELASTIC COUPLING



Codice Code	MEC	A	B	C	D	E	F	G	H	I
2.081.12.001	112	82.4	83.5	36.5	22	78.5	8	8	27.2	39