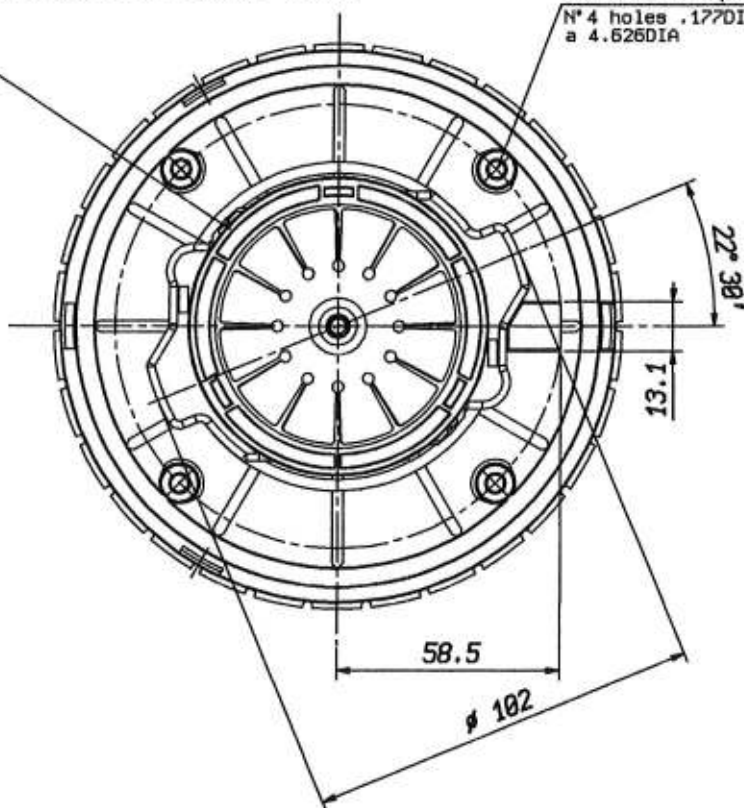


CONNESSIONE PREDISPOSTA CON FASTON MASCHIO 4.8x0.8
 ARRANGED FOR CONNECTION TAB-TERMINAL 4.8x0.8

N°4 fori #4 equidistanti sul #117.5
 N°4 holes .1770DIA equally spaced on a 4.626DIA



AMETEK[®]
 ITALIA S.p.A., VACUUM PRODUCTS

Denominazione
 Title
DIMENSIONI DI INGOMBRO
OVERALL DIMENSIONS
 MOT.BY111.1200W.230V.

Data
 Date 08/06/05
 Modello
 Model

Firma
 Sign .
063400037

TEST N° : 11504
MOTOR TYPE : 063400037
NAME :

DATE : 05/10/04
VOLTAGE : 230 HZ : 50
APPLIANCE:

3.1

AIR FLOW PERFORMANCE - $Q = 0.0019 \cdot D^2 \cdot H \cdot \text{Corr}^{0.5}$

ORIFICE	A	Win	Win Corr.	RPM	HA mmH2O	H CORR. mmH2O	Q l/sec.	Wout	EFF. %
48.0	6.07	1336	1345.1	25364	225	227	65.9	146.5	10.9
40.0	6.08	1338	1347.1	25239	398	401	60.9	239.3	17.8
30.0	6.07	1338	1347.1	25277	767	772	47.5	360.1	26.7
23.0	5.69	1255	1263.5	26101	1120	1128	33.8	373.5	29.6
19.0	5.34	1177	1185.0	27024	1331	1340	25.1	330.2	27.9
16.0	5.02	1109	1116.5	27968	1500	1510	18.9	280.1	25.1
13.0	4.66	1033	1040.0	28992	1655	1667	13.1	214.3	20.6
10.0	4.33	963	969.6	29932	1794	1807	8.1	143.1	14.8
6.5	4.00	890	896.1	30792	1919	1932	3.5	66.9	7.5
0.0	3.81	852	857.8	31627	2061	2075	0.0	0.0	0.0

REMARKS : MEASUREMENTS CARRIED OUT AFTER 1', WITH SEALED ORIFICE AFTER 20''
TEST CARRIED OUT WITH MOTOR ON MEASURING BOX


VOLTMETER: NORMA D5135 AMPEROMETER: NORMA D5135 WATTMETER: NORMA D5135

AMBIENT °C : 24 ATM.PRESS. mmHg : 760 RH % : 56

AIR DENSITY RATIO : 0.987

CORRECTION FACTORS IN TERMS OF AIR DENSITY (20°C - RH50% - 760mmHg)

WIN CORRECTION FACTOR : 1.007 DEPRESSURE CORR.FACTOR H : 1.007

Sign : 

20047