



EQUIPAGGIAMENTI  
TECNICI  
LAVAGGIO

RUBIN. IN OTTONE CON GALLEGG.  
BRASS FLOAT VALVE

1  
GB

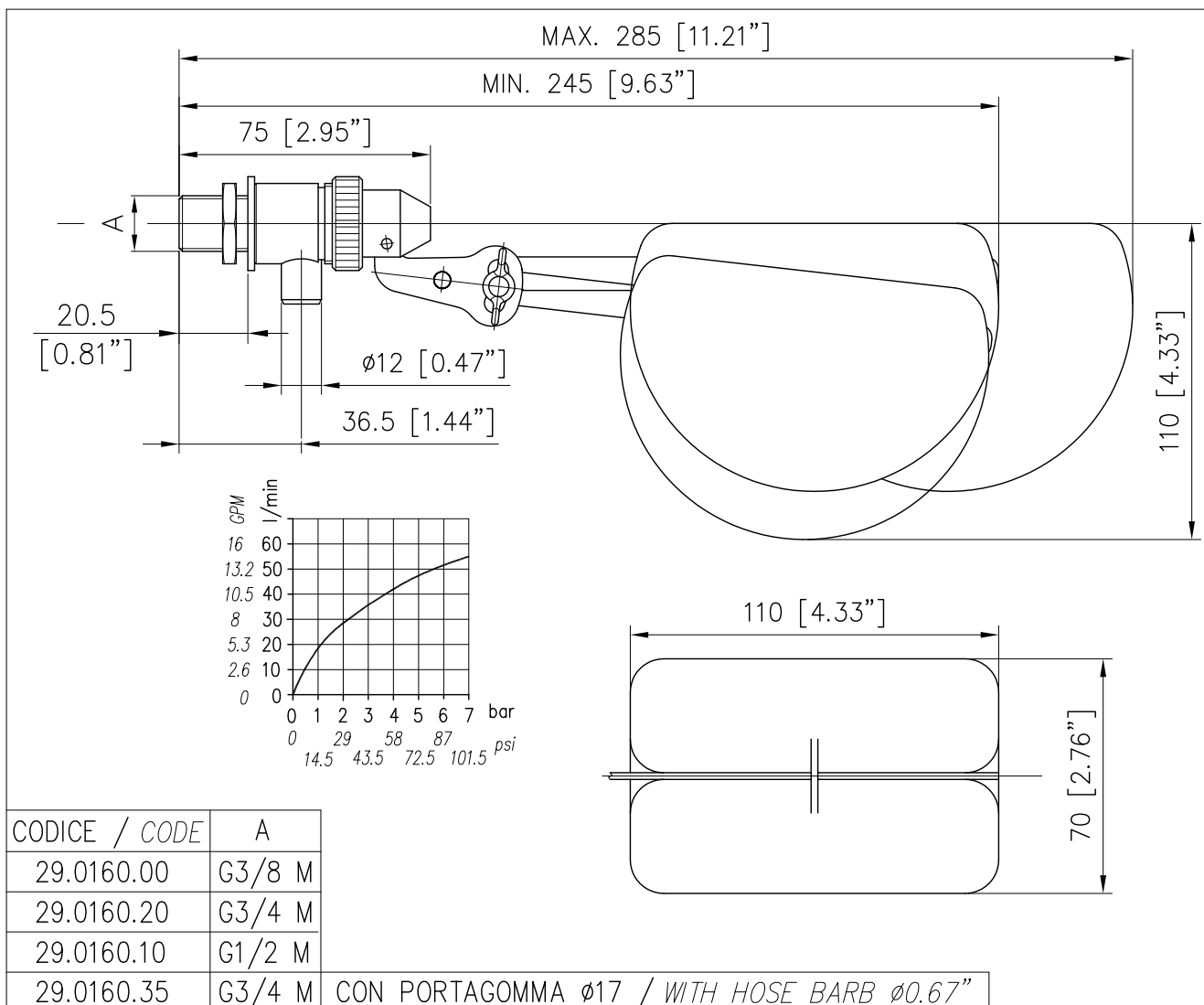
8

29/09/05

CARATTERISTICHE TECNICHE  
SPECIFICATIONS

- FUNZIONAMENTO WORKING	APERTURA E CHIUSURA CON COMANDO DIRETTO FLOW ON-OFF DIRECT
- PRESSIONE MASSIMA MAX PRESSURE	10 bar – 1 MPa (145 psi)
- PORTATA A 1 bar – 0.1 MPa (14.5 psi) FLOW RATE AT 1 bar – 0.1 MPa (14.5 psi)	20 l/min (5.3 USG p.m.)
- PORTATA A 2 bar – 0.2 MPa (29 psi) FLOW RATE AT 2 bar – 0.2 MPa (29 psi)	29 l/min (7.5 USG p.m.)
- TEMPERATURA MASSIMA MAX WORKING TEMPERATURE	60° C (140°F)

MISURE D'INGOMBRO  
OVERALL DIMENSIONS



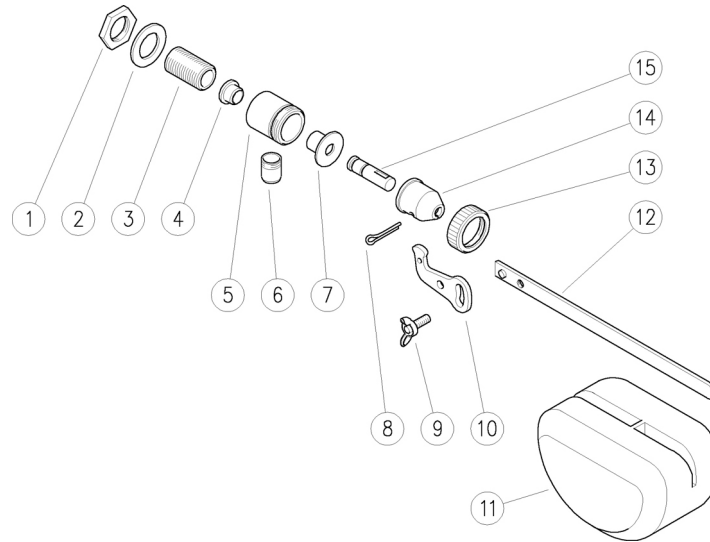
CODICE / CODE	A	
29.0160.00	G3/8 M	
29.0160.20	G3/4 M	
29.0160.10	G1/2 M	
29.0160.35	G3/4 M	CON PORTAGOMMA Ø17 / WITH HOSE BARB Ø0.67"

29.0160.00 RGO regolatore gall.ott.G3/8M

29.0160.10 RGO regolatore gall.ott.G1/2M

29.0160.20 RGO regolatore gall.ott.G3/4M

29.0160.30 RGO regolatore gall.ott.G1/2F



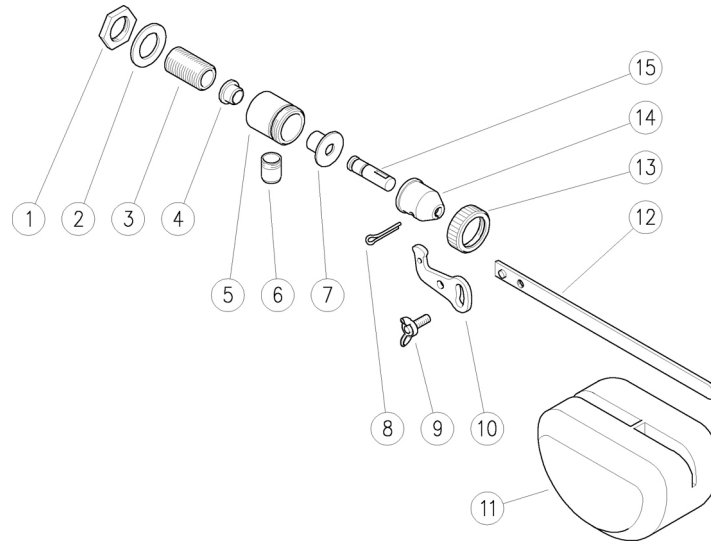
Pos.	Codice	Descrizione	Q.tà	K1	K2	K3	K4		Pos.	Codice	Descrizione	Q.tà	K1	K2	K3	K4	
1	29.0171.31	Dado,ott. G3/8F (1)	1					50	5	29.0161.31	Corpo RGO M24x1,5M-G3/8F ott.	1					3
1	29.0175.31	Dado G1/2F ott. (2)	1					10	6	29.0162.36	Tubo di scarico M12x1 ott.	1					5
1	29.0188.31	Dado G3/4F ott. (3)	2					10	7	29.0166.81	Guarn. Frontale CR	1	•				10
2	29.0176.81	Guarn. Front. 17x28x2 mm NBR (1)	1					10	8	11.0549.01	Coppiglia 3x20 mm	1					10
2	29.0177.81	Guarn. Front. 19x30x2 mm nero (2)	1					10	9	12.0150.05	Dado ad alette M5x10 ott.	1					10
2	29.0189.81	Guarn. Front. 26x36x2 mm NBR (3)	1					10	10	29.0168.35	Piastrino di rinvio ott.	1					5
3	29.0172.36	Racc. G3/8M ott. (1)	1					5	11	29.0191.84	Galleggiante PE-HD grigio	1					10
3	29.0173.31	Racc. G3/8M-G1/2M ott. (2)	1					5	12	29.0190.31	Asta RGO ott.	1					10
3	29.0179.31	Racc. G3/8M-G3/4M ott. (3)	1					5	13	29.0163.36	Girello M24x1,5 F ott.	1					10
3	29.0217.31	Racc. G3/8M-G1/2F ott. (4)	1					5	14	29.0169.31	Coperchio ott.	1					5
4	29.0165.84	Sede RGO	1	•				10	15	29.0164.84	Pistone RGO nero	1	•				10

Kit	Codice	Descrizione	
K1	29.0199.24	Kit ric. RGO 3x1pz.	1

(1) 29.0160.00 (2) 29.0160.10 (3) 29.0160.20 (4) 29.0160.30

29.0160.00 RGO Float valve,brass 3/8M Bsp  
 29.0160.10 RGO Float valve,brass 1/2M Bsp

29.0160.20 RGO Float valve,brass 3/4M Bsp  
 29.0160.30 RGO Float valve,brass 1/2F Bsp



Pos.	P/N	Description	Q.ty	K1	K2	K3	K4	
1	29.0171.31	Nut, brass, 3/8F Bsp (1)	1					50
1	29.0175.31	Nut, 1/2F Bsp brass (2)	1					10
1	29.0188.31	Nut, 3/4F Bsp brass (3)	2					10
2	29.0176.81	Front seal, 17x28x2 mm NBR (1)	1					10
2	29.0177.81	Front seal, 19x30x2 mm black (2)	1					10
2	29.0189.81	Front seal, 26x36x2 mm NBR (3)	1					10
3	29.0172.36	Coupling, 3/8M Bsp brass (1)	1					5
3	29.0173.31	Coupling, 3/8M-1/2M Bsp brass (2)	1					5
3	29.0179.31	Coupling, 3/8M-3/4M Bsp brass (3)	1					5
3	29.0217.31	Coupling, 3/8M-1/2F Bsp brass (4)	1					5
4	29.0165.84	Seat -RGO,	1	•				10

Pos.	P/N	Description	Q.ty	K1	K2	K3	K4	
5	29.0161.31	Housing -RGO, M24x1,5M-3/8F Bsp brs.	1					3
6	29.0162.36	Drain tube, brass	1					5
7	29.0166.81	Front gasket, CR	1	•				10
8	11.0549.01	Cotter pin 3x20 mm	1					10
9	12.0150.05	Wing nut, M5x10 brass	1					10
10	29.0168.35	Transmission plate, brass	1					5
11	29.0191.84	Float valve, PE-HD grey	1					10
12	29.0190.31	Rod -RGO, brass	1					10
13	29.0163.36	Hand nut, M24x1,5 F brass	1					10
14	29.0169.31	Cover, brass	1					5
15	29.0164.84	Piston RGO black	1	•				10

Kit	P/N	Description	
K1	29.0199.24	Spares kit -RGO, 3x1pcs.	1

(1) 29.0160.00 (2) 29.0160.10 (3) 29.0160.20 (4) 29.0160.30



P.A. S.p.A.

Via Milano, 13  
42048 Rubiera, Reggio Emilia - Italy

Tel +39.0522.623611  
Fax +39.0522.629600

info@pa-etl.it

[www.pa-etl.it](http://www.pa-etl.it)



COMPANY WITH QUALITY MANAGEMENT  
SYSTEM CERTIFIED BY DNV  
= ISO 9001 =