



EQUIPAGGIAMENTI
TECNICI
LAVAGGIO

VALVOLA TERMICA
THERMO VALVE
VT.BP.1

①

GB

2

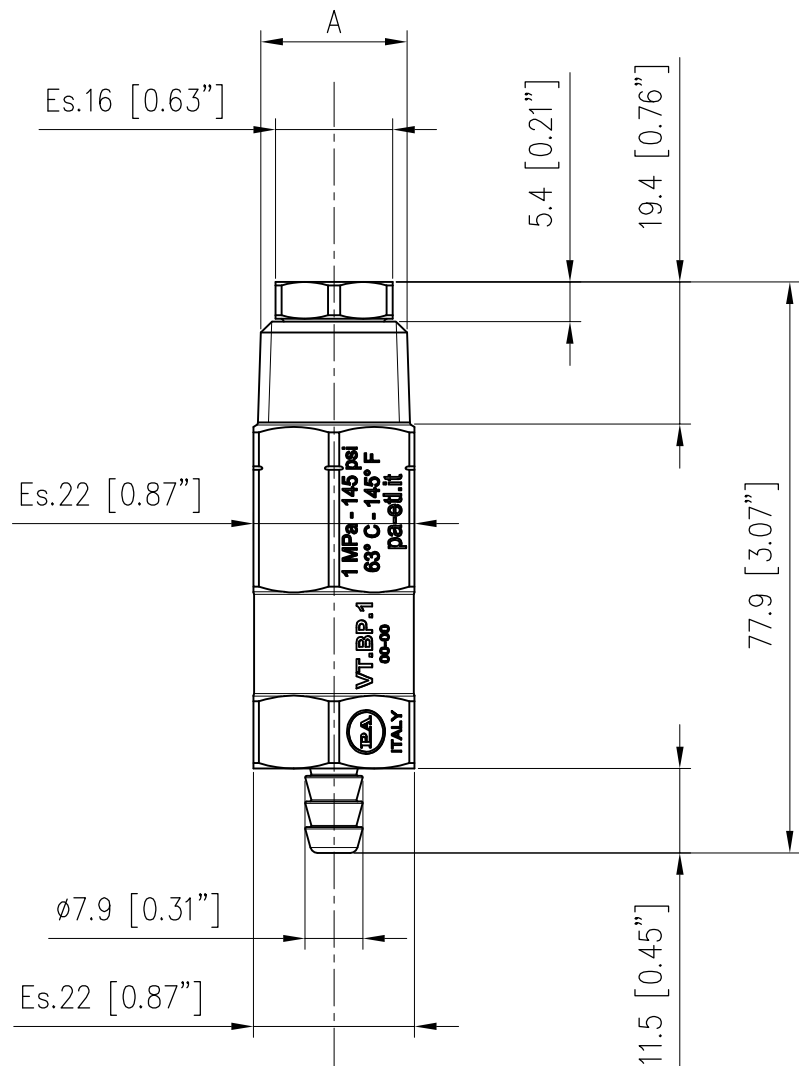
20/10/09

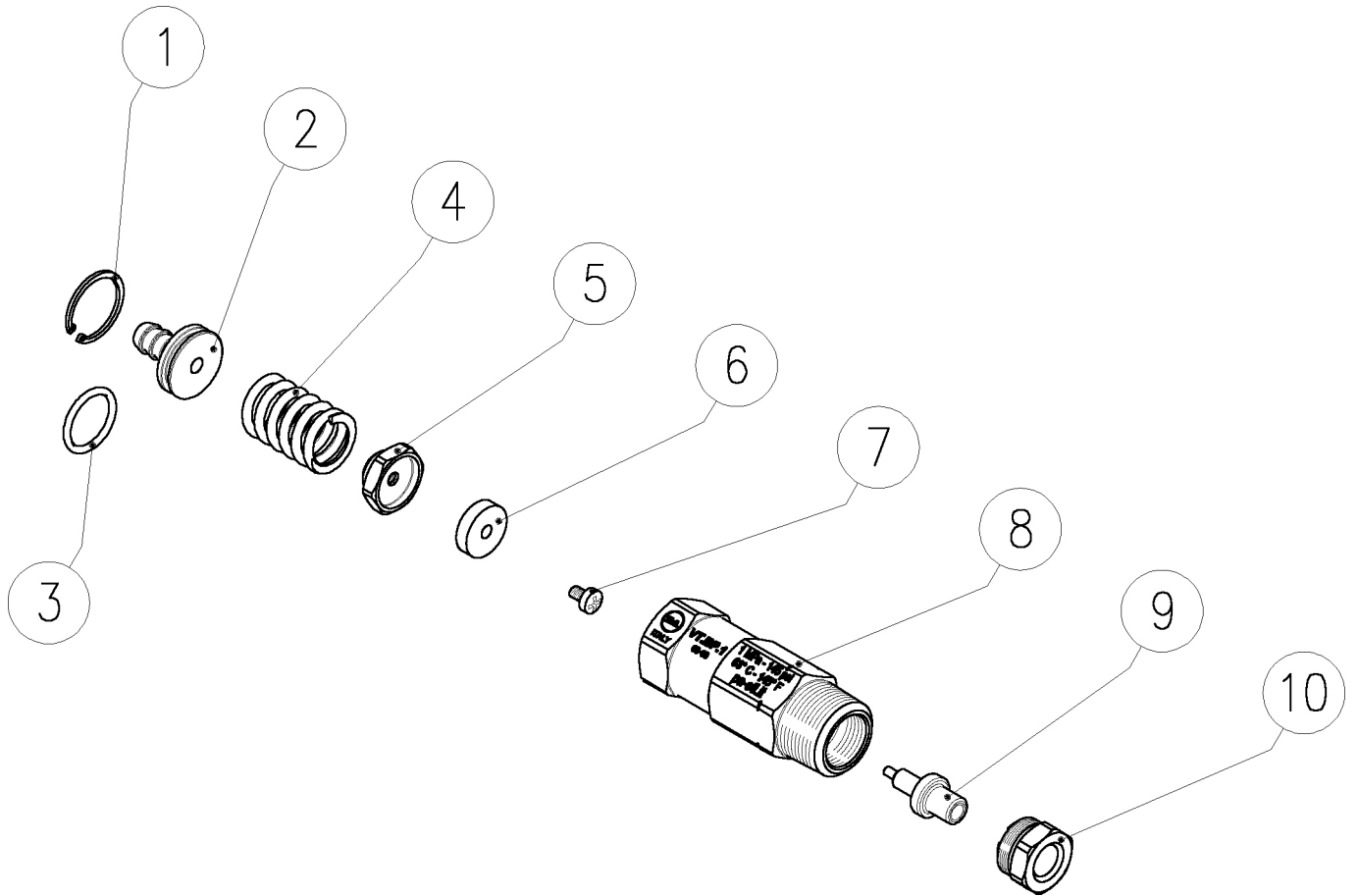
CARATTERISTICHE TECNICHE SPECIFICATIONS

| | |
|--|--------------------------|
| – PRESSIONE MASSIMA LAVORO MAX WORKING PRESSURE | 6 bar – 0,6 MPa (87 psi) |
| – PRESSIONE MASSIMA MAX PRESSURE | 10 bar – 1 MPa (145 psi) |
| – TEMPERATURA DI INTERVENTO OPERATING TEMPERATURE | 63° C (145°F) |

MISURE D'INGOMBRO OVERALL DIMENSIONS

| CODICE CODE | A |
|----------------|----------|
| 28.0600.00 | 1/2" NPT |
| 28.0600.15 | G "1/2 |

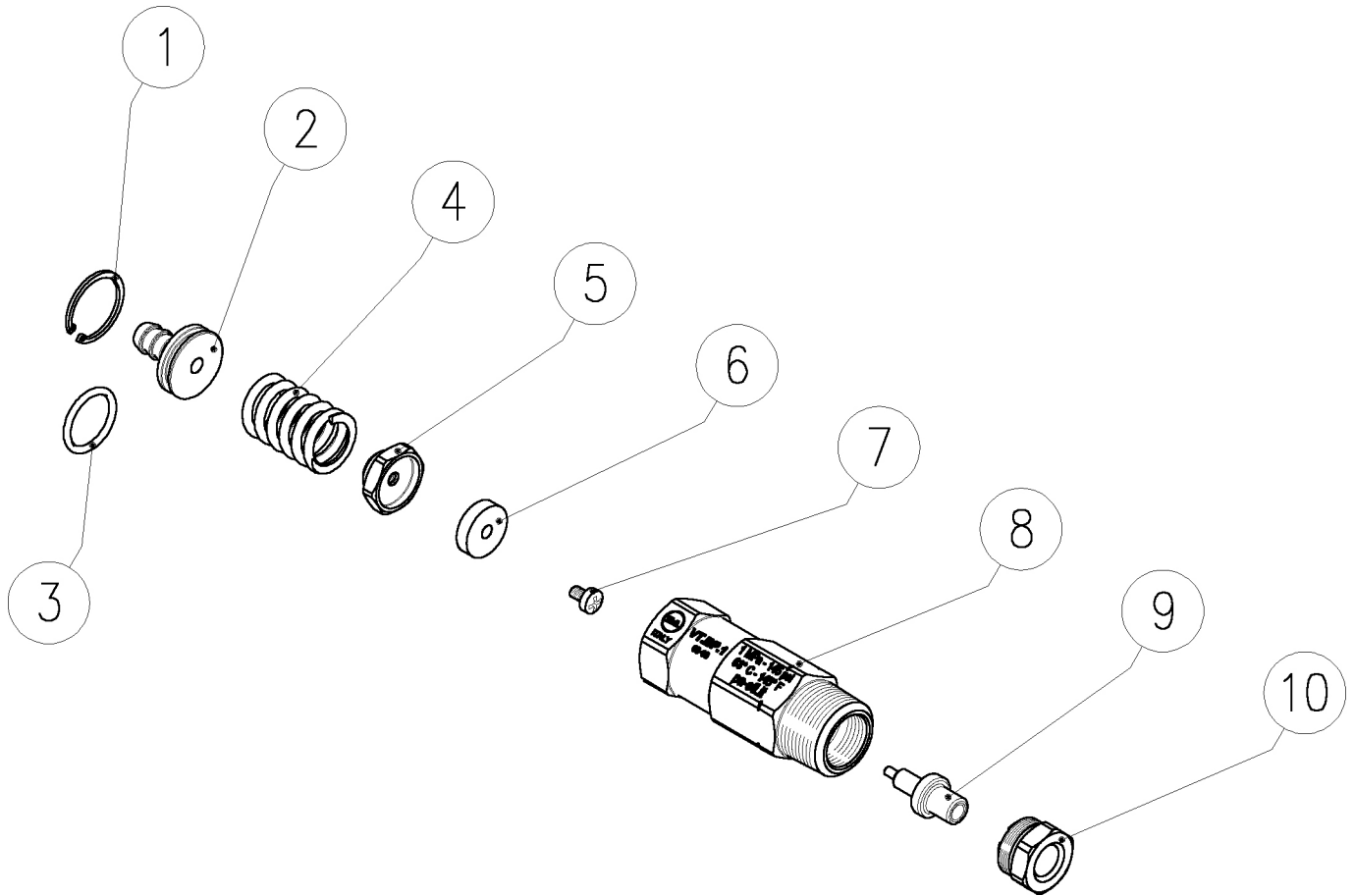




| Pos. | Codice | Descrizione | Q.tà | K1 | K2 | K3 | K4 | |
|------|------------|------------------------------|------|----|----|----|----|----|
| 1 | 10.1002.66 | An.el. Di.18 mm inox | 1 | | | | | 5 |
| 2 | 60.0617.31 | Portagomma D.7 mm ott | 1 | | | | | 3 |
| 3 | 10.3064.01 | An.OR 1,78x14 mm Ni 85 | 1 | | | | | 10 |
| 4 | 60.0612.51 | Molla inox 2x13,5x26 mm | 1 | | | | | 3 |
| 5 | 60.0618.31 | Porta guarnizione | 1 | | | | | 3 |
| 6 | 14.3513.00 | Otturatore gom.3,5x14 mm NBR | 1 | | | | | 5 |

| Pos. | Codice | Descrizione | Q.tà | K1 | K2 | K3 | K4 | |
|------|------------|--------------------------------|------|----|----|----|----|----|
| 7 | 16.1825.00 | Vite DIN7985 M3X6 mm inox | 1 | | | | | 10 |
| 8 | 60.0614.31 | Corpo val.termi. 1/2 Npt M (1) | 1 | | | | | 1 |
| 8 | 60.0611.31 | Corpo val.termi.G 1/2 M (2) | 1 | | | | | 1 |
| 9 | 12.5046.00 | Bulbo termost.63/71°C | 1 | | | | | 5 |
| 10 | 60.0613.31 | Tappo serraggio bulbo | 1 | | | | | 3 |

(1) 28.0600.00 (2) 28.0600.15



| Pos. | P/N | Description | Q.ty | K1 | K2 | K3 | K4 | |
|------|------------|------------------------------|------|----|----|----|----|----|
| 1 | 10.1002.66 | Snap ring, E 18 Sst. | 1 | | | | | 5 |
| 2 | 60.0617.31 | Brass hose barb 7 mm | 1 | | | | | 3 |
| 3 | 10.3064.01 | O-ring, 1,78x14 mm Ni 85 | 1 | | | | | 10 |
| 4 | 60.0612.51 | Sst spring 2x13,5x26 mm | 1 | | | | | 3 |
| 5 | 60.0618.31 | Seal frame | 1 | | | | | 3 |
| 6 | 14.3513.00 | Rubber shutter 3,5x14 mm NBR | 1 | | | | | 5 |

| Pos. | P/N | Description | Q.ty | K1 | K2 | K3 | K4 | |
|------|------------|---------------------------------|------|----|----|----|----|----|
| 7 | 16.1825.00 | Screw, DIN7985 M3X6 mm Sst. | 1 | | | | | 10 |
| 8 | 60.0614.31 | Thermal valv.body 1/2 Npt M (1) | 1 | | | | | 1 |
| 8 | 60.0611.31 | Thermal valv.body 1/2 Bsp M (2) | 1 | | | | | 1 |
| 9 | 12.5046.00 | Thermal pill 145°F | 1 | | | | | 5 |
| 10 | 60.0613.31 | Exag.screw, brass | 1 | | | | | 3 |

(1) 28.0600.00 (2) 28.0600.15



P.A. S.p.A.
Via Milano, 13
42048 Rubiera, Reggio Emilia - Italy
Tel +39.0522.623611
Fax +39.0522.629600
info@pa-etl.it

www.pa-etl.it



COMPANY WITH QUALITY MANAGEMENT
SYSTEM CERTIFIED BY DNV
= ISO 9001 =