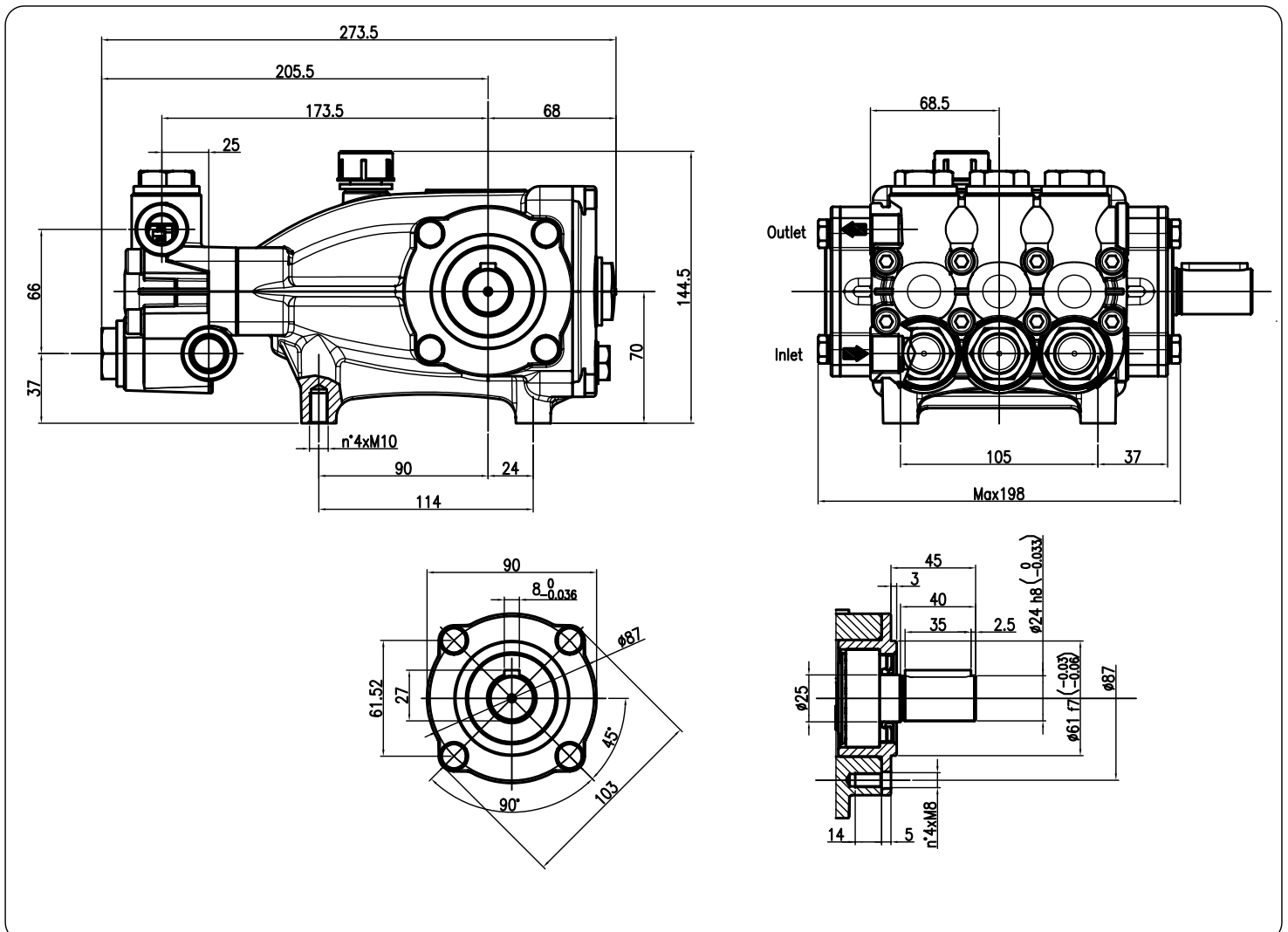


Pump Pompe Pumpen Pompa	Pressure Pression Druck Pressione		Volume Débit Leistung Portata		RPM tours/min u.p.m. giri/min	Required HP Puissance HP Leistung HP Potenza HP	Inlet port Entrée Eingang Aspirazione	Outlet Sortie Ausgang Mandata	Weight Kg Poids Kg Gewicht Kg Peso Kg
	bar	PSI	l/min	GPM					
NPM1525	250	3625	15		1450	9.6	G 1/2	G 3/8	9.5
				4.7	1740	11.5			

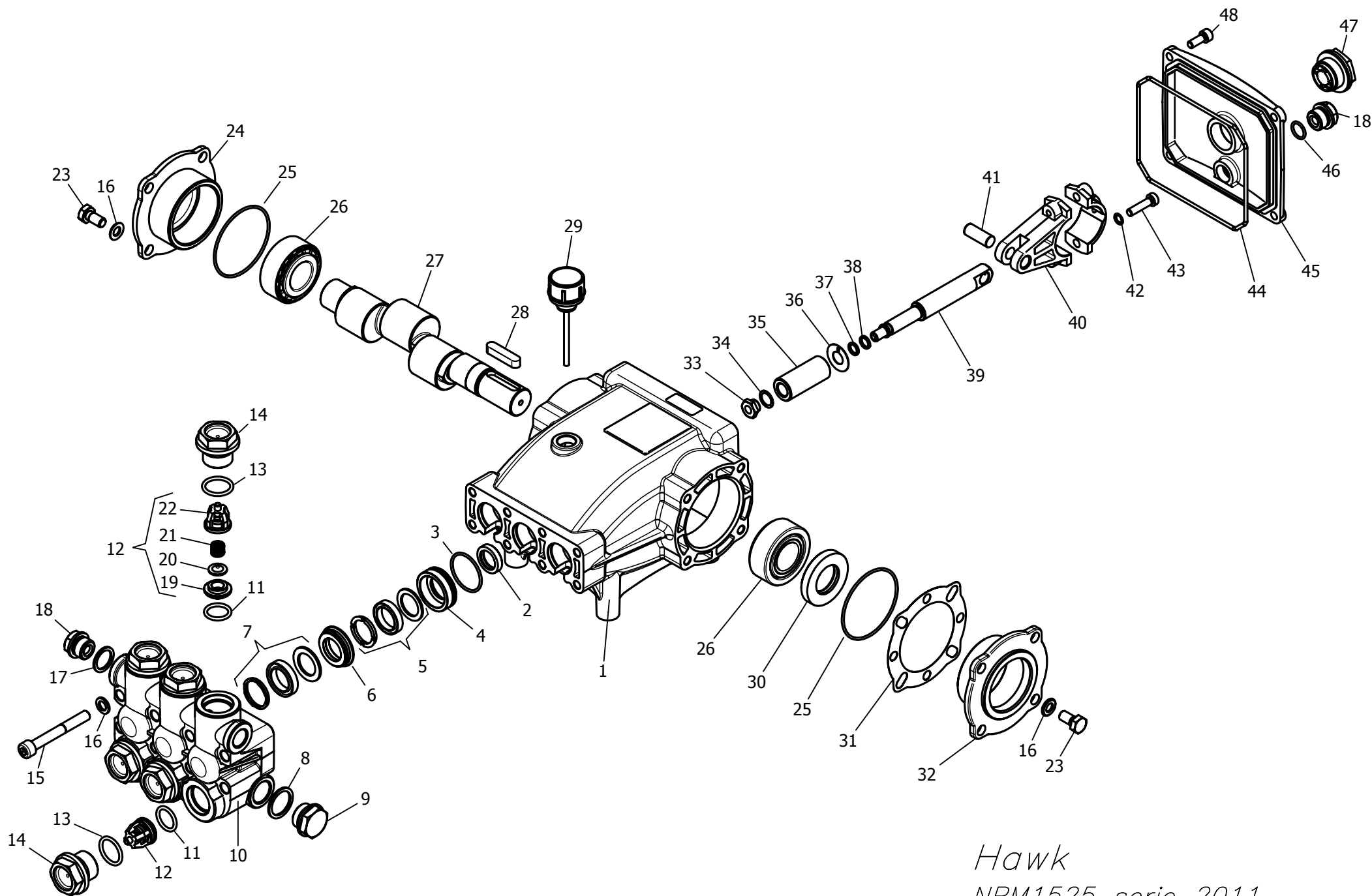
Dimensioni d' ingombro

Overall dimensions



Lubrificazione: Olio SAE 20/40W
Capacità 0.7 litri

Lubrication: SAE 20/40W Oil
Capacity 0.7 liters



Hawk
NPM1525 serie 2011
NPM1525 pump 2011 series

NPM1525 2011

SPARE PARTS KIT

KIT RICAMBI

<i>Posizioni Item</i>	<i>Part Number and Description</i>	<i>Descrizione</i>	<i>Q.tà per ogni pompa Q.ty for each Pump</i>	NPM1525R/L
3- 5- 7	2600.79 Plunger Seals 18 mm	2600.79 <i>Guarnizioni pistone Ø18</i>	1	◆
3- 4- 5- 6- 7	2600.80 Complete Seals Packing 18 mm	2600.80 <i>Pacco completo Guarnizioni pistone Ø18</i>	3	
33- 34- 35- 36 37- 38	2600.81 Plunger 18 mm	2600.81 <i>Pistone Ø18</i>	3	
11- 12- 13	2600.08 Complete Valve	2600.08 <i>Valvola completa</i>	6	
2	2608.03 Plunger oil Seals	2608.03 <i>Anelli tenuta olio Asta</i>	1	
3- 4- 5- 6- 7- 8- 9 10- 11- 12- 13 14- 17- 18	2600.75 Complete Manifold	2600.75 <i>Testata Completa</i>	1	
39- 40- 41- 42 43	3100.13 Connecting Rod-Plunger Rod	3100.13 <i>Premontato Biella-Asta pistone</i>	3	

PARTS LIST

LISTA PARTI

<i>Pos. Item</i>	<i>Codice Part Number</i>	<i>Description</i>	<i>Descrizione</i>	<i>Q.tà per ogni pompa Q.ty for each Pump</i>	NPM1525R/L
1	0202.95	Crankcase	<i>Carter</i>	1	◆
*2	0001.03	Plunger oil seal	<i>Anello radiale</i>	3	
*3	0601.07	"O" Ring Ø1.78x31.47	<i>"O" Ring Ø1.78x31.47</i>	3	
*4	1201.38	Pressure ring 18mm	<i>Pressore "U" Ø18</i>	3	
*5	0002.51	Low pressure "U" seal, dia.18mm	<i>Anello tenuta "U" Ø18</i>	3	
*6	0300.16	Intermed. ring 18mm	<i>Diffusore Intermed. Ø18</i>	3	
*7	0002.64	High pressure "U" seal, dia.18mm	<i>Anello tenuta "U" Ø18</i>	3	
*8	0603.07	Copper washer G1/2	<i>Guarnizione rame</i>	1	
*9	1601.20	Brass plug G1/2	<i>Tappo G1/2</i>	1	
*10	1602.34	Manifold housing	<i>Testata</i>	1	
*11	0601.19	"O" Ring Ø2.62x17.13	<i>"O" Ring Ø2.62x17.13</i>	6	
*12	3604.70	Valve assembly	<i>Valvola premontata</i>	6	
*13	0601.65	"O" Ring Ø2.62x20.29	<i>"O" Ring Ø2.62x20.29</i>	6	
*14	1601.30	Valve plug	<i>Tappo valvola</i>	6	
15	1801.03	Manifold stud bolt M8x65	<i>Vite M8x65 Dacromet</i>	8	
16	1400.01	Washer Ø8,5	<i>Rosetta Ø8.5</i>	16	
*17	0603.06	Copper washer G3/8	<i>Guarnizione rame</i>	1	
*18	1601.17	Brass plug G3/8	<i>Tappo G3/8</i>	2	
19	1503.18	Valve seat	<i>Sede valvola</i>	6	
20	1202.00	Valve plate	<i>Piattello valvola</i>	6	
21	0900.30	Valve spring	<i>Molla valvola</i>	6	
22	0604.05	Valve cage	<i>Gabbia valvola</i>	6	
23	1802.03	Hexagonal screw M8x18	<i>Vite M8x18</i>	8	
24	0500.61	Closed bearing housing	<i>Flangia chiusa</i>	1	

NPM1525 2011

PARTS LIST

LISTA PARTI

Pos. Item	Codice Part Number	Description	Descrizione	Q.tà per ogni pompa Q.ty for each Pump	NPM1525R/L
25	0601.63	"O" Ring Ø1.78x60.05	"O" Ring Ø1.78x60.05	2	◆
26	0200.06	Roller bearing 33205	Cuscinetto a rulli 33205	2	
27	0006.15	Single - ended shaft	Albero semplice P.d.F.	1	
28	0206.04	Crankshaft key	Chiavetta	1	
29	1600.06	Oil dip stick	Tappo livello olio	1	
30	0001.02	Crankshaft seal	Anello radiale	1	
31	0301.02	Shim	Distanziale	1	
32	0500.60	Bearing housing	Flangia	1	
*33	0302.19	Plunger nut	Dado pistone	3	
*34	1400.12	Copper spacer Ø 11.2/15x0.5	Rosetta rame Ø 11.2/15x0.5	3	
*35	1200.09	Plunger 18mm	Pistone Ø18	3	
*36	1400.15	Copper spacer Ø 11.3/24x0.5	Rosetta rame Ø 11.3/24x0.5	3	
*37	0601.03	"O" Ring Ø1.78x7.66	"O" Ring Ø1.78x7.66	3	
*38	0009.04	Teflon ring	Anello antiestrusione	3	
*39	0003.28	Plunger rod	Asta pistone	3	
*40	0100.01	Connecting rod	Biella	3	
*41	1502.06	Connecting rod pin	Spinotto	3	
*42	1401.02	Spring washer Ø6	Rosetta elastica Ø6	6	
*43	1801.05	Connecting rod screw M6x25	Vite M6x25	6	
44	0601.88	"O" Ring Ø 2.62x126.67	"O" Ring Ø 2.62x126.67	1	
45	0203.59	Crankcase cover	Coperchio posteriore	1	
46	0601.14	"O" Ring Ø1.78x14	"O" Ring Ø1.78x14	1	
47	0700.05	Sight glass, G3/4	Spia livello olio G3/4	1	
48	1801.12	Screw M6x16	Vite M6x16	4	

		Part available in kit only
--	--	-------------------------------

*		Part available in kit also
---	--	-------------------------------