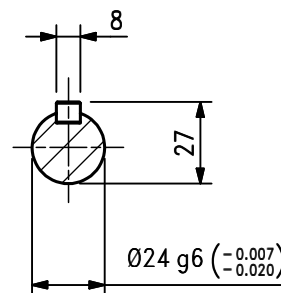
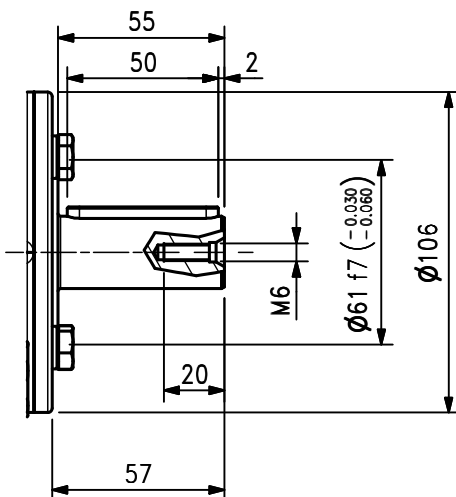
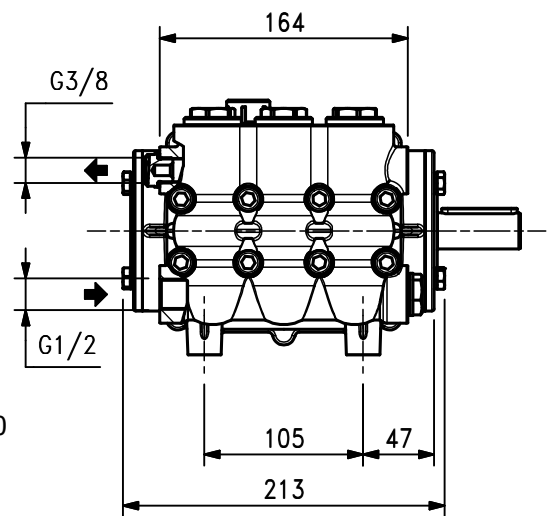
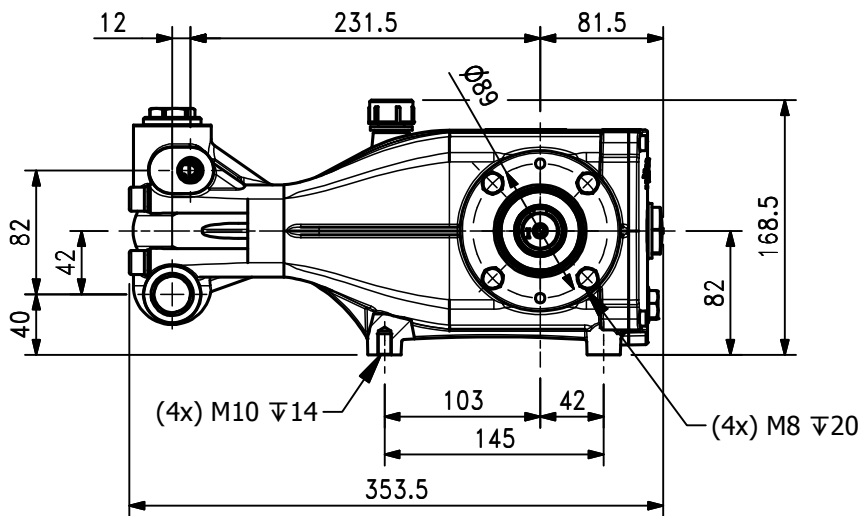


Pump Pompa	Pressure Pressione		Volume Portata				RPM giri/min		Power Potenza			
			l/min		GPM				HP		kW	
	bar	PSI	50 Hz	60 Hz	50 Hz	60 Hz	50 Hz	60 Hz	50 Hz	60 Hz	50 Hz	60 Hz
PX1135I	350	5000	11.3	13.6	3.0	3.6	1450	1740	10.1	12.1	7.4	8.9
PX1535I	350	5000	15.3	18.4	4.0	4.8	1450	1740	13.7	16.4	10.1	12.1
PX1735I	350	5000	16.9	20.3	4.5	5.4	1450	1740	15.2	18.2	11.2	13.4
PX2135I	350	5000	21.7	26.0	5.7	6.8	1450	1740	19.5	23.4	14.4	17.3

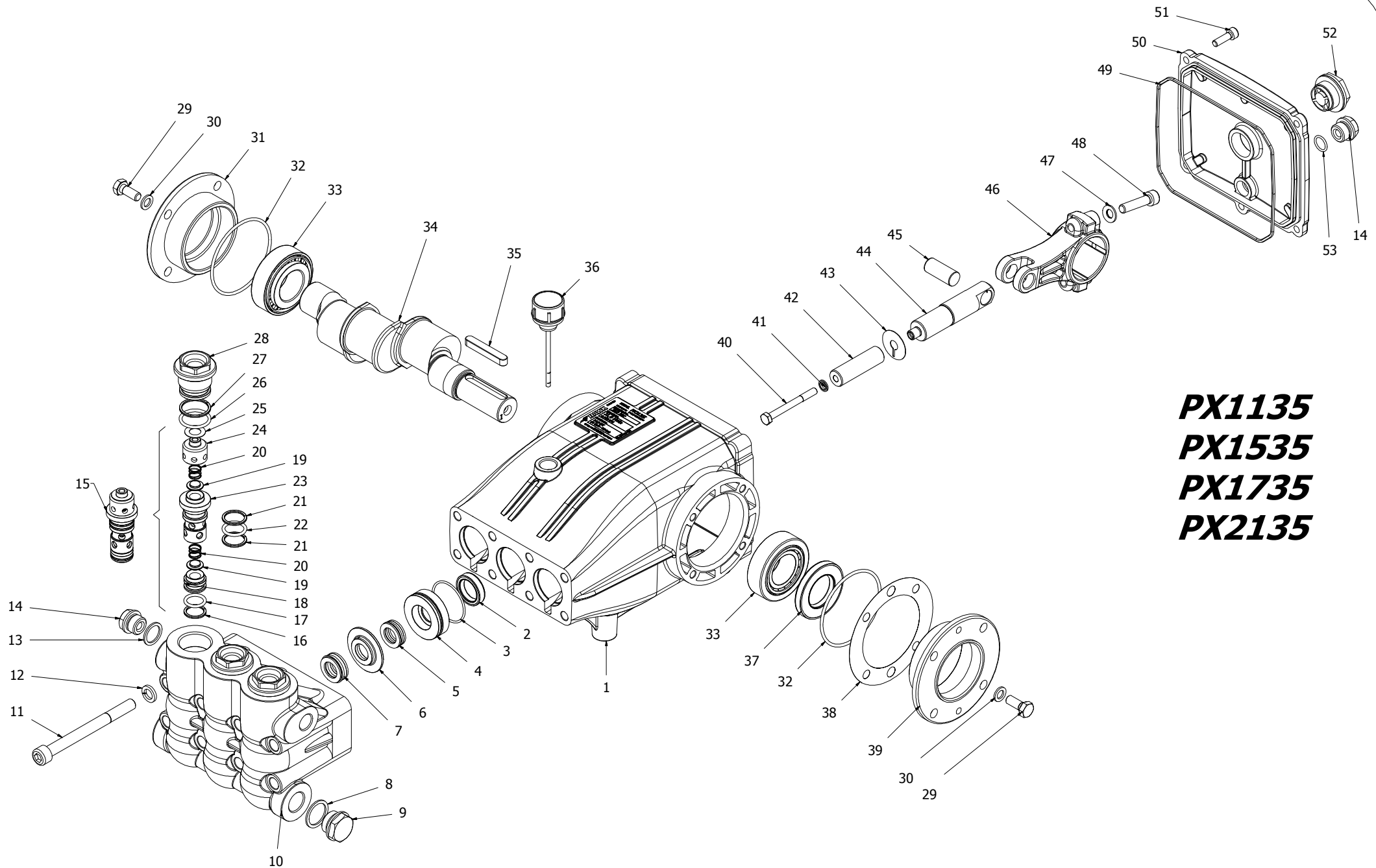
Dimensioni d'ingombro

Overall dimensions



Lubrificazione: Olio SAE 10W40
 Capacità: 1.2 Litri
 Peso pompa: 19.2 Kg

Lubrication: SAE 10W40 Oil
 Capacity: 1.2 Litres
 Weight: 19.2 Kg



PX1135
PX1535
PX1735
PX2135

HAWK
Pompe PXI serie 2012
PXI pumps 2012 series

SPARE PARTS KIT

PX 2012

Item	Part Number & Description		Q.ty Pump	PX1135I	PX1535I	PX1735I	PX2135I
3x (3- 5- 7)	2602.12	Plunger Seals 16 mm	1	◆	◆	◆	◆
3- 4- 5- 6- 7	2602.22	Complete seal Packing 16 mm	3	◆	◆	◆	◆
40- 41- 42- 43	2612.01	Plunger 16 mm	3	◆	◆	◆	◆
15	2600.19	Complete Valve	3	◆	◆	◆	◆
2	2600.03	Plunger oil Seal	1	◆	◆	◆	◆
3- 4- 5- 6- 7- 8 9- 10- 11- 12 13- 14- 15- 26- 27- 28	2601.35	Complete Manifold 20 mm	1	◆	◆	◆	◆
44- 45- 46- 47- 48	3100.43	Connectin Rod-Plunger Rod Assy	3	◆	◆	◆	◆

PARTS LIST



PX 2012



Item	Part Number	Description	Q.ty/Pu mp	PX1135I	PX1535I	PX1735I	PX2135I
*1	0202.97	Crankcase	1				
*2	0001.01	Plunger oil seal	3				
*3	0601.08	"O" Ring 2150 - Ø1.78x37.82	3				
*4	1201.64	Pressure ring 16 mm	3				
*5	0002.78	"U" seal, dia.16 mm	3				
*6	0300.85	Intermed. ring 16 mm	3				
*7	0002.77	"U" seal, dia.16 mm	3				
*8	0603.07	Copper washer 1/2	1				
*9	1601.20	Brass plug G1/2	1				
*10	1602.48	Manifold housing	1				
*11	1801.38	Manifold stud bolt	8				
*12	1403.01	Lock-Washer	8				
*13	1408.02	Bonded seal G 3/8	1				
*14	1601.17	Brass plug 3/8	2				
*15	3604.06	Valve assembly	3				
*16	0009.50	Back ring	3				
*17	0601.51	"O" Ring 119 - Ø2,62x15,08	3	◆	◆	◆	◆
*18	1503.39	Valve seat	3				
*19	1202.19	Valve plate	6				
*20	0900.58	Valve spring	6				
*21	0009.05	Back ring	6				
*22	0601.23	"O" Ring 3068 - Ø2.62x17.13	3				
*23	0604.17	Valve cage	3				
*24	0604.18	Valve cage	3				
*25	1400.08	Copper washer	3				
*26	0605.03	"O" Ring 3093 - Ø2,62x23,47	3				
*27	0009.03	Back ring	3				
*28	1601.68	Valve plug	3				
29	1802.05	Hexagonal screw	8				
30	1400.01	Washer	8				
31	0500.54	Closed bearing housing	1				
32	0601.00	"O" Ring Ø2.62x71.12	2				
33	0200.04	Roller bearing	2				
34	0006.39	Crankshaft Ø24	1	◆			
	0006.38	Crankshaft Ø24	1		◆		
	0006.36	Crankshaft Ø24	1			◆	
	0006.47	Crankshaft Ø24	1				◆
35	0206.05	Crankshaft key	1				
36	1600.16	Oil dip stick	1				
37	0001.00	Crankshaft seal	1				
38	0301.00	Shim	1				
39	0500.38	Bearing housing	1				
*40	1802.23	Plunger bolt	3				
*41	1408.13	Bonded seal	3	◆	◆	◆	◆
*42	1200.39	Plunger 16 mm	3				
*43	1400.57	Copper spacer	3				
*44	0003.33	Plunger rod	3				
*45	1502.07	Connecting rod pin	3				
*46	0100.10	Connecting rod	3				
*47	1401.03	Spring washer	6				

PARTS LIST

PX 2012

Item	Part Number	Description	Q.ty/Pu mp	PX1135I	PX1535I	PX1735I	PX2135I
*48	1801.01	Connecting rod screw	6				
49	0601.85	"O" Ring Ø2,62x152,07	1				
50	0203.60	Crankcase cover	1				
51	1801.41	Cover screw	5	◆	◆	◆	◆
52	0700.05	Sight glass, G3/4	1				
53	0601.14	"O" Ring Ø1,78x14,00	1				

  **Part available
in kit only**

  **Part available
in kit also**

Posizioni	Codice e Descrizione	Q.tà Pompa	PX1135I	PX1535I	PX1735I	PX2135I
3x (3- 5- 7)	2602.12 <i>Guarnizioni pistone Ø16</i>	1	◆	◆	◆	◆
3- 4- 5- 6- 7	2602.22 <i>Pacco completo Guarnizioni pistone Ø16</i>	3	◆	◆	◆	◆
40- 41- 42- 43	2612.01 <i>Pistone Ø16</i>	3	◆	◆	◆	◆
15	2600.19 <i>Valvola completa</i>	3	◆	◆	◆	◆
2	2600.03 <i>Anelli tenuta olio Asta</i>	1	◆	◆	◆	◆
3- 4- 5- 6- 7- 8 9- 10- 11- 12 13- 14- 15- 26- 27- 28	2601.35 <i>Testata Completa Ø20</i>	1	◆	◆	◆	◆
44- 45- 46- 47- 48	3100.43 <i>Premontato asta-biella</i>	3	◆	◆	◆	◆

LISTA PARTI

PX 2012

Pos.	Codice	Descrizione	Q.tà/Po mpa	PX1135I	PX1535I	PX1735I	PX2135I
*1	0202.97	Carter	1				
*2	0001.01	Anello radiale Ø20x30x7	3				
*3	0601.08	"O" Ring 2150 - Ø1.78x37.82	3				
*4	1201.64	Pressore Ø16	3				
*5	0002.78	Anello tenuta "U" Ø16	3				
*6	0300.85	Diffusore interm. Ø16	3				
*7	0002.77	Anello tenuta "U" Ø16	3				
*8	0603.07	Guarnizione rame G1/2	1				
*9	1601.20	Tappo G1/2	1				
*10	1602.48	Testata	1				
*11	1801.38	Vite M10x110	8				
*12	1403.01	Rosetta elastica Ø10,2	8				
*13	1408.02	Bonded seal G 3/8	1				
*14	1601.17	Tappo G3/8	2				
*15	3604.06	Valvola premontata	3				
*16	0009.50	Anello antiestr. OR119	3				
*17	0601.51	"O" Ring 119 - Ø2,62x15,08	3	◆	◆	◆	◆
*18	1503.39	Sede valvola	3				
*19	1202.19	Piattello valvola	6				
*20	0900.58	Molla valvola	6				
*21	0009.05	Anello antiestr. OR3068	6				
*22	0601.23	"O" Ring 3068 - Ø2.62x17.13	3				
*23	0604.17	Gabbia valvola	3				
*24	0604.18	Gabbia valvola	3				
*25	1400.08	Rosetta valvola	3				
*26	0605.03	"O" Ring 3093 - Ø2,62x23,47	3				
*27	0009.03	Anello antiestr. OR3093	3				
*28	1601.68	Tappo valvola	3				
29	1802.05	Vite M8x20	8				
30	1400.01	Rosetta Ø8.5	8				
31	0500.54	Flangia chiusa	1				
32	0601.00	"O" Ring Ø2.62x71.12	2				
33	0200.04	Cuscinetto a rulli	2				
34	0006.39	Albero eccentrico Ø24	1	◆			
	0006.38	Albero eccentrico Ø24	1		◆		
	0006.36	Albero eccentrico Ø24	1			◆	
	0006.47	Albero eccentrico Ø24	1				◆
35	0206.05	Chiavetta	1				
36	1600.16	Tappo livello olio	1				
37	0001.00	Anello radiale	1				
38	0301.00	Distanziale	1				
39	0500.38	Flangia aperta	1				
*40	1802.23	Vite pistone	3				
*41	1408.13	Bonded Seal	3	◆	◆	◆	◆
*42	1200.39	Pistone Ø16	3				
*43	1400.57	Rosetta rame	3				
*44	0003.33	Asta pistone	3				
*45	1502.07	Spinotto	3				
*46	0100.10	Biella completa	3				
*47	1401.03	Rosetta elastica Ø8	6				

LISTA PARTI

PX 2012

Pos.	Codice	Descrizione	Q.tà/Po mpa	PX1135I	PX1535I	PX1735I	PX2135I
*48	1801.01	Vite M8x35	6				
49	0601.85	"O" Ring Ø2,62x152,07	1				
50	0203.60	Coperchio	1				
51	1801.41	Vite M6x20	5	◆	◆	◆	◆
52	0700.05	Spia livello olio G3/4	1				
53	0601.14	"O" Ring Ø1,78x14,00	1				

**Particolare disponibile
solo in kit**

*** Particolare disponibile
anche in kit**