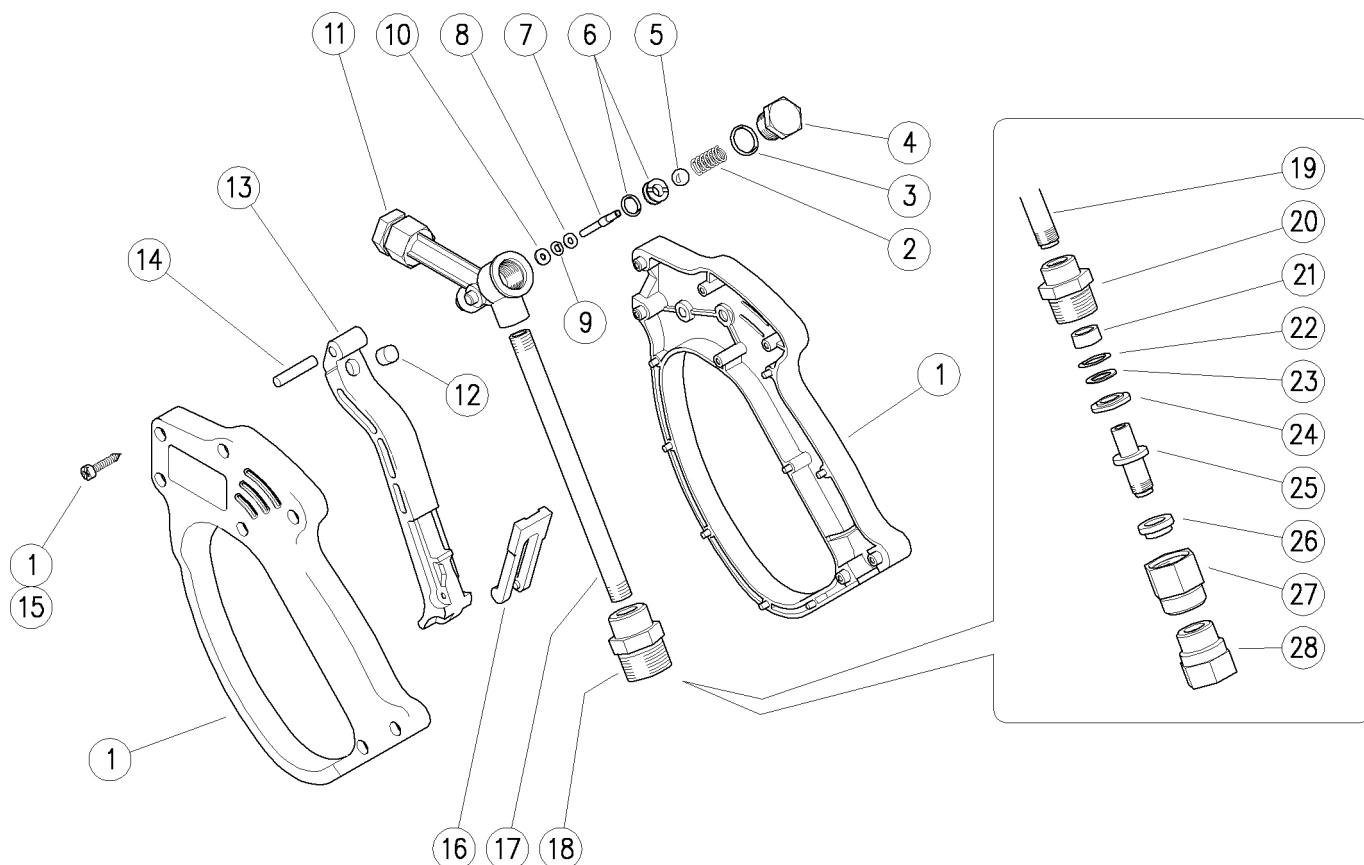


30.1790.00 RL26 weep.gun 3/8M-1/4F Bsp (I.1,1)
 30.1790.50 RL26 weep.gun 3/8F-1/4F Npt
 30.1792.00 RL26 weep.gun(1,1L)+sw8 3/8-1/4Bsp FF

30.1794.00 RL26 weep.gun(0,6L)+sw8 3/8-1/4Bsp FF
 30.1795.00 RL26 weep.gun 3/8M-1/4F Bsp (I.0,6)



K1 K2 K3 K4

| | | | | | | | |
|----|-------------|---|---|---|---|--|----|
| 1 | 30.1759.24 | Casing-kit -RL26 +screws, Sst. | 1 | | | | 1 |
| 2 | 30.0703.51R | Spring, 1,3x8,5x19 mm Sst. | 1 | | | | 10 |
| 3 | 10.3060.01R | O-ring, 1,78x12,42 mm Ni 85 | 1 | • | • | | 10 |
| 4 | 30.0702.31R | Plug, M14x1 brass | 1 | | | | 10 |
| 5 | 14.7448.00R | Ball, 5/16" Sst. | 1 | • | • | | 10 |
| 6 | 30.0716.20R | Weep.seat,5,8mm+O-ring (I.1,1) | 1 | • | | | 10 |
| 6 | 30.0710.20R | Weep.seat, 6x11 mm+O-ring (I.0,6) (1) | 1 | • | | | 10 |
| 7 | 30.0704.51R | Piston, 3-4 mm Sst. | 1 | • | • | | 10 |
| 8 | 14.3511.00R | Washer, 3,2x7x0,5 mm sst. | 1 | • | • | | 10 |
| 9 | 10.3165.00R | O-ring, 2,62x2,84 mm Vi 70 | 1 | • | • | | 10 |
| 10 | 10.4018.00R | Back-up ring, 3,2x7,5x1,2 mm | 1 | • | • | | 10 |
| 11 | 30.1700.35R | Central housing -RL26, 1/4F Bsp brass | 1 | | | | 5 |
| 11 | 30.1701.35R | Central housing -RL26, 1/4F Npt brass (2) | 1 | | | | 5 |
| 12 | 30.0675.84R | Stop pin, 8x7,1mm PA | 1 | | | | 10 |
| 13 | 30.1704.84R | Trigger -RL26, PA black | 1 | | | | 10 |
| 14 | 30.0509.31R | Parallel pin, 5x24,5 mm brass | 1 | | | | 10 |

K1 K2 K3 K4

| | | | | | | | |
|----|-------------|--|---|--|--|--|----|
| 15 | 16.3075.51R | S/tapping scr. 3,5x18 mm sst. | 7 | | | | 10 |
| 16 | 30.1515.84R | Safety latch, PA blue | 1 | | | | 10 |
| 17 | 30.0706.56R | Tube, 1/8Bsp MM Sst. | 1 | | | | 10 |
| 18 | 30.1521.31R | Coupl., 1/8F-3/8M Bsp c/sunk brass (3) | 1 | | | | 5 |
| 18 | 30.1517.31R | Coupl., 1/8F Bsp-3/8F Npt brass (2) | 1 | | | | 10 |
| 19 | 30.0734.56R | Tube, 1/8Bsp MM 97mm Sst. (4) | 1 | | | | 5 |
| 20 | 30.0727.31R | Coupl., 1/8F Bsp-M20x1M brass (4) | 1 | | | | 10 |
| 21 | 30.0728.84R | Bushing, 9x13x6 mm plast. black (4) | 1 | | | | 10 |
| 22 | 10.3109.93R | O-ring, 2,4x8,3 mm Vi 70 (4) | 1 | | | | 10 |
| 23 | 10.4008.50R | Back-up ring, 9x13,2x1,2 mm (4) | 1 | | | | 10 |
| 24 | 30.0729.31R | Spacer ring, 9x19x3 mm brass (4) | 1 | | | | 10 |
| 25 | 30.1553.31R | Pin -SW, M10x1,25 M brass (4) | 1 | | | | 5 |
| 26 | 30.0730.84R | Bushing, 10x17x6 mm plast. black (4) | 1 | | | | 10 |
| 27 | 30.0733.31R | Nipple, M20x1 F brass (4) | 1 | | | | 5 |
| 28 | 30.1554.31R | Coupl., M10x1,25F-3/8F Bsp brass (4) | 1 | | | | 5 |

| | | | |
|----|------------|--------------------------------------|---|
| K1 | 30.0725.24 | Spares kit -RL26 weep, (1,1L)8x1pcs. | 1 |
| K2 | 30.1788.24 | Spares kit -RL26 weep, (0,6L)8x1pcs. | 1 |

(1) 30.1795.00 (2) 30.1790.50 (3) 30.1790.00 (4) 30.1792.00