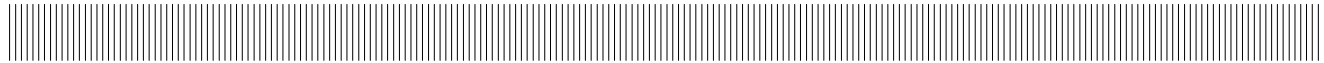


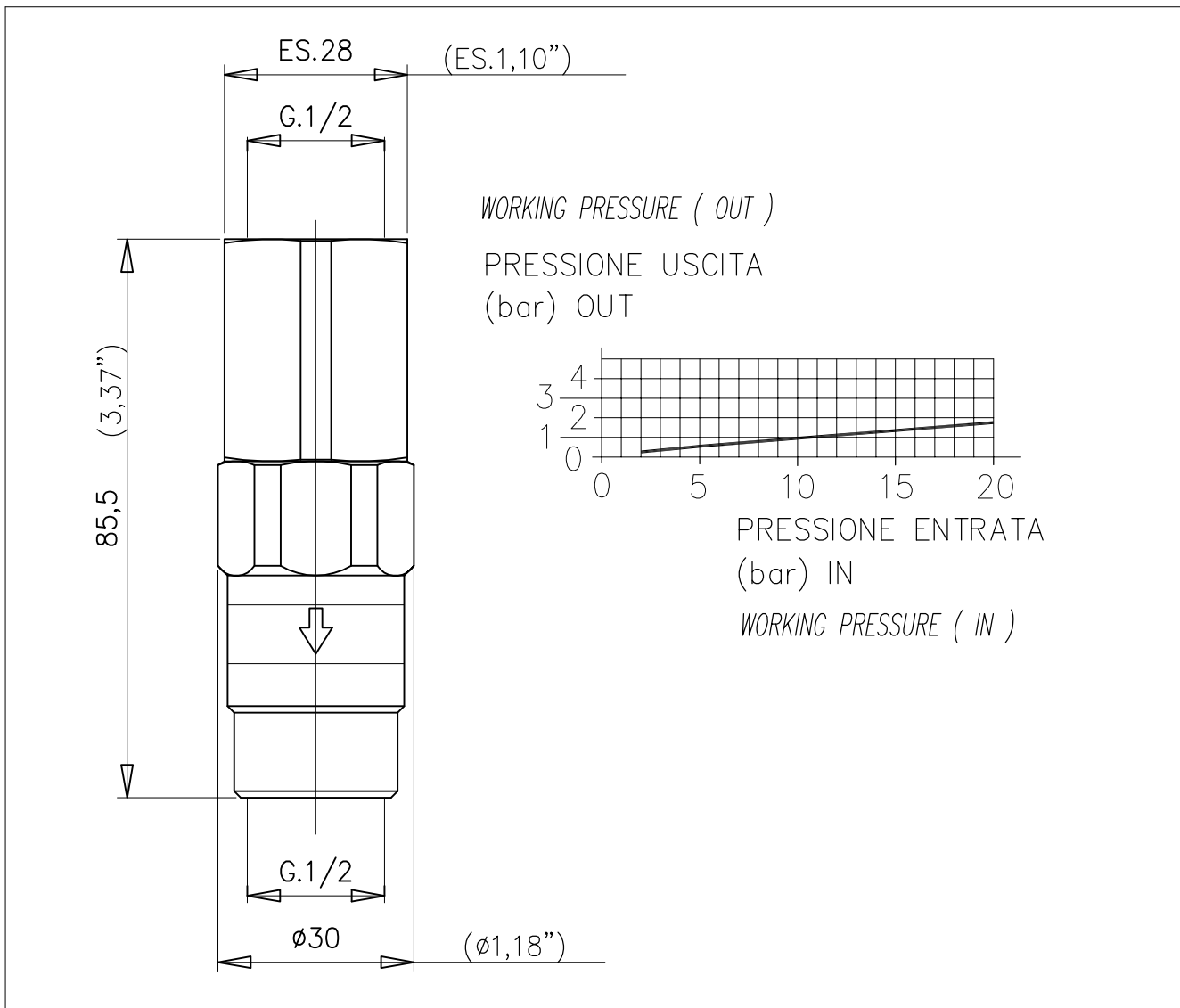
	E Q U I P A G G I A M E N T I	RIDUTTORE DI PRESSIONE RP1 INLET PRESSURE REDUCER 28.0700.00			2
	T E C N I L A V A G G I O		22/10/15		



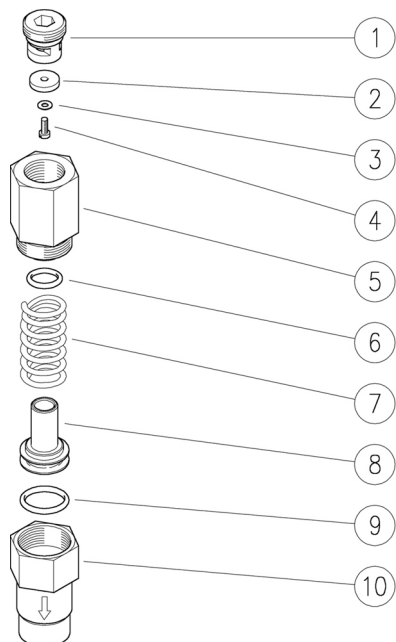
SPECIFICHE TECNICHE
 SPECIFICATIONS

- PRESSIONE CONSENTITA (IN) PERMISSIBLE PRESSURE (IN)	29 bar – 2.9 MPa (420 psi)
- PRESSIONE LAVORO (OUT) VEDI DIAGRAMMA WORKING PRESSURE (OUT) SEE CHART BELOW	~ 1,5 bar – 0.15 MPa (22 psi)
- PORTATA CONSENTITA RATED FLOW	32 l/min (8.5 USG p.m.)
- TEMPERATURA CONSENTITA RATED TEMPERATURE	70° C (158 °F)
- MATERIALE MATERIAL	OTTONE (BRASS)

MISURE D'INGOMBRO
 OVERALL DIMENSIONS

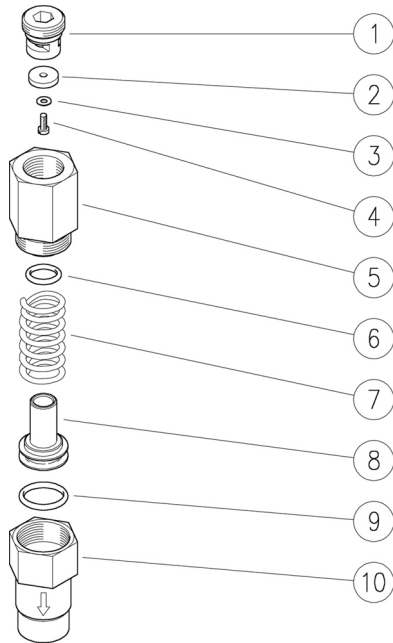


28.0700.00 RP1 Riduttore di pressione G1/2 FF



Pos.	Codice	Descrizione	Q.tà	K1	K2	K3	K4	
1	28.0704.31	Tappo G1/2M ott.	1					1
2	14.3512.00	Guarn. front. 3,2x14,5x3 mm PTFE	1					3
3	14.3511.00	Rosetta 3,2x7x0,5 mm inox	1					10
4	16.1827.00	Vite DIN7985 M3X8 mm inox	1					10
5	28.0705.31	Racc. G1/2M ott.	1					1
6	10.3177.00	An.OR 2,62x12,37 mm	1					10
7	28.0703.51	Molla 1,8x22,6x26 mm inox	1					1
8	28.0702.31	Pistone 23,8x33 mm ott.	1					1
9	10.3238.00	An.OR 3,53x17,04 mm	1					10
10	28.0701.31	Corpo RP1 G1/2F ott.	1					1

28.0700.00 RP1 Inlet pressure reducer 1/2FF Bsp



Pos.	P/N	Description	Q.ty	K1	K2	K3	K4	
1	28.0704.31	Plug, 1/2M Bsp brass	1					1
2	14.3512.00	Front seal, 3,2x14,5x3 mm PTFE	1					3
3	14.3511.00	Washer, 3,2x7x0,5 mm sst.	1					10
4	16.1827.00	Screw, DIN7985 M3X8 mm Sst.	1					10
5	28.0705.31	Coupling, 1/2M Bsp brass	1					1
6	10.3177.00	O-ring, 2,62x12,37 mm	1					10
7	28.0703.51	Spring, 1,8x22,6x26 mm Sst.	1					1
8	28.0702.31	Piston, 23,8x33 mm brass	1					1
9	10.3238.00	O-ring, 3,53x17,04 mm	1					10
10	28.0701.31	Housing -RP1, 1/2F Bsp brass	1					1



P.A. S.p.A.

Via Milano, 13
42048 Rubiera, Reggio Emilia - Italy

Tel +39.0522.623611
Fax +39.0522.629600

info@pa-etl.it

www.pa-etl.it



COMPANY WITH QUALITY MANAGEMENT
SYSTEM CERTIFIED BY DNV
= ISO 9001 =