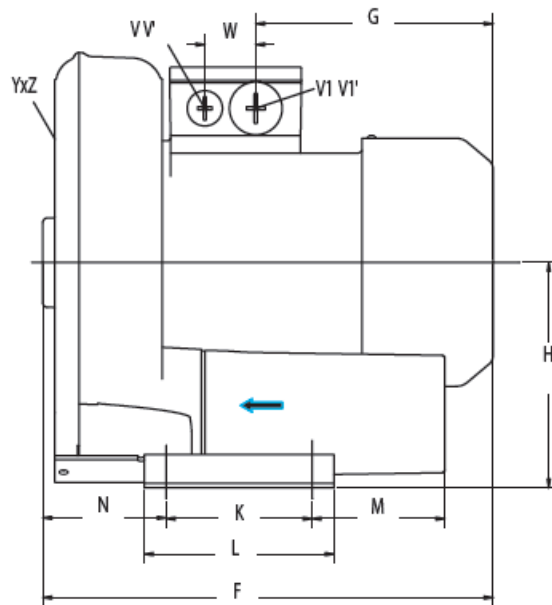
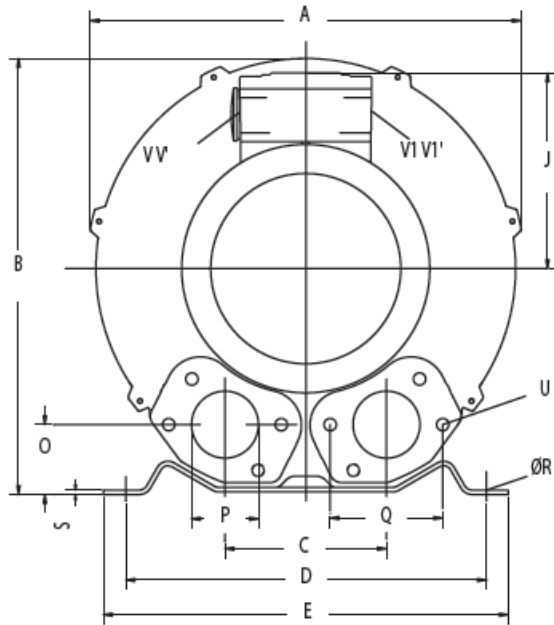
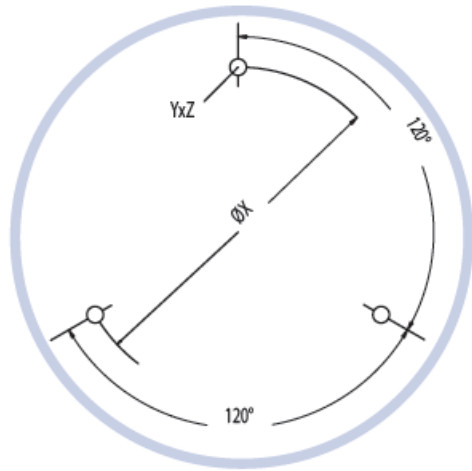


TUVR00082

 Dimensioni / Dimensions = mm





	Phase Fase	A	B	C	D	E	F	G	H	J	K	L	M	N	O	P	Q	ØR	S	U	V	V'	V1	V1'	YxZ	X-holes X-fori	ØX
SC601MF2.2T	3	382	384	125	290	325	377	191	197	128	140	180	84	109	54	G2"	83	15	4.5	M8x17	M25x1.5	M16x1.5	M25x1.5	M16x1.5	M10x20	0°/120°/240°	Ø240
SC601MF3.0T	3	382	384	125	290	325	409	188	197	135	140	180	84	109	54	G2"	83	15	4.5	M8x17	M32X1.5	M32X1.5	M32X1.5	M32X1.5	M10x20	0°/120°/240°	Ø240
SC601MF4.0T	3	382	384	125	290	325	432	209	197	148	140	180	84	109	54	G2"	83	15	4.5	M8x17	M32X1.5	M32X1.5	M32X1.5	M32X1.5	M10x20	0°/120°/240°	Ø240
SC601MF2.2M	1	382	384	125	290	325	404	218	197	128	140	180	84	109	54	G2"	83	15	4.5	M8x17	M25x1.5	M16x1.5	M25x1.5	M16x1.5	M10x20	0°/120°/240°	Ø240