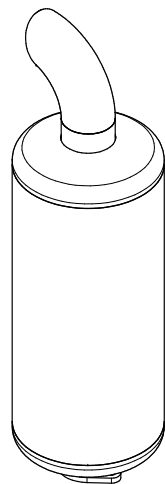
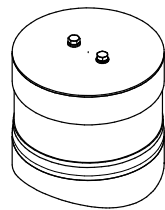
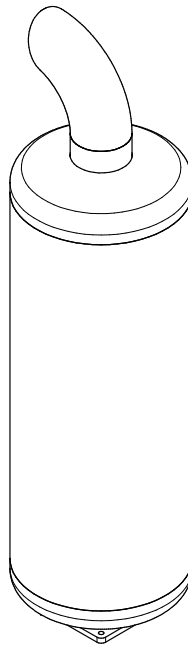
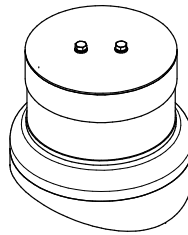
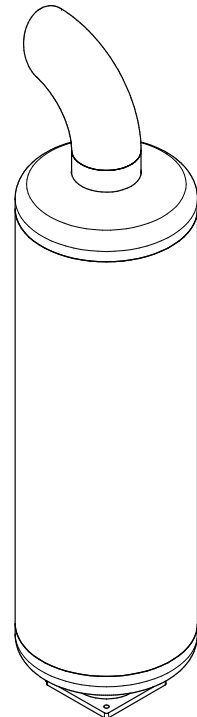
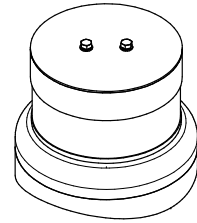


ORIGINAL INSTRUCTIONS

*DL60-80-100**DL150-180**DL220-250-270-300*

TECHNICAL DATA SHEET

COD. 14450 051 00 - 15470 052 00
 COD. 14450 047 00 - 15470 049 00
 COD. 14450 052 10 - 15470 053 00
 COD. 14450 040 10 - 15470 050 00
 COD. 14450 046 00 - 15470 054 00
 COD. 14450 043 10 - 15470 051 00

1. General warnings

This technical data sheet contains technical information concerning silencers for DL series lobe vacuum pumps and the main installation and maintenance instructions.

Complying with the instructions contained in this technical data sheet is crucial for the warranty on defective parts. Upon receiving the goods, ensure that they are intact and have not been accidentally damaged during transport. In the event parts of the accessory must be replaced, **only use original spare parts**.

2. Technical data

DL silencers are designed to be installed in correspondence with the discharge or injection line of lobe vacuum pumps without lubrication (typically of the DL Series), used to create a vacuum inside tanks.

DL silencers carry out two main functions:

- Attenuate the noise produced by decompressor operation;
- Filter the suctioned air (at injection) in order to prevent powdery particles over a determined size from entering the pump, thus compromising its operation.

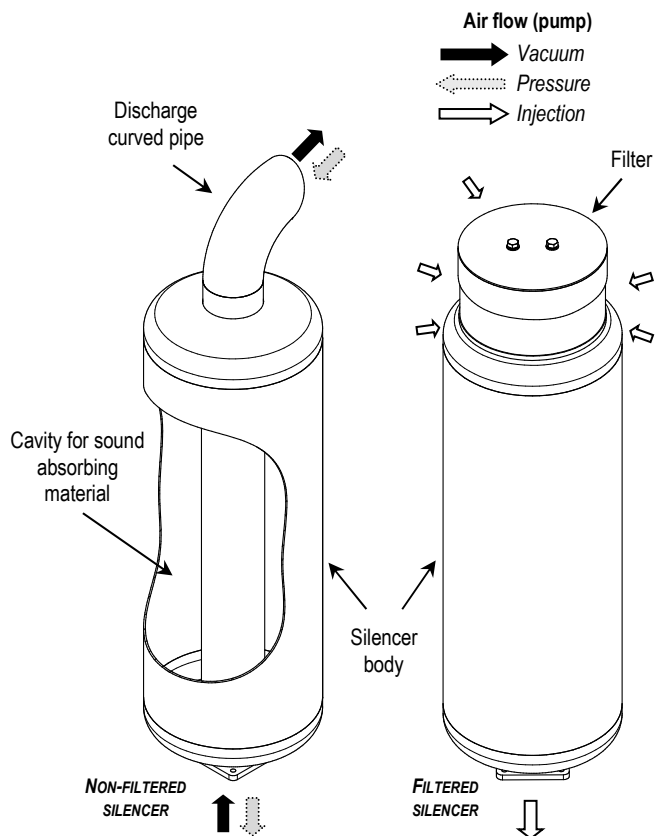
DL silencers are available in four categories:

- **DL60-80-100 silencer** made of **painted S235JR Mild steel** and **Stainless Steel AISI 304L**;
- **DL150-180 silencer** made of **painted S235JR Mild steel** and **Stainless Steel AISI 304L**;
- **DL220-250-270-300 silencer** made of **painted S235JR Mild steel** and **Stainless Steel AISI 304L**.

Each category has the following two types:

- **Filtered:** for injection installation;
- **Non-filtered:** for discharge installations.

The figure to the side displays a schematic diagram of two silencers, highlighting the main features.



All silencers are equipped with coupling flanges.

The following table shows the main operation parameters, of the available silencers.

MODEL	FLOW RATE	INSTALLATION	COD.	MATERIAL	WEIGHT
DL60-80-100 SILENCERS	625 m ³ /h	Injection	1445004700	Mild steel	21,0 kg
			1445005100	Stainless steel	16,5 kg
		Discharge	1547004900	Mild steel	19,5 kg
			1547005200	Stainless steel	19,0 kg
DL150-180 SILENCERS	885 m ³ /h	Injection	1445004010	Mild steel	34,5 kg
			1445005210	Stainless steel	28,0 kg
		Discharge	1547005000	Mild steel	32,0 kg
			1547005300	Stainless steel	31,5 kg
DL220-250-270-300 SILENCERS	1250 m ³ /h	Injection	1445004310	Mild steel	37,0 kg
			1445004600	Stainless steel	34,5 kg
		Discharge	1547005100	Mild steel	32,0 kg
			1547005400	Stainless steel	31,5 kg


3. Installation

DL silencers are designed to be installed in correspondence with the discharge and injection line (depending on the choice of model) of lobe vacuum pumps (without lubrication).

To ensure attenuation of the noise produced by the decompressor, we recommend installing the silencer as close as possible to it and minimising the hose sections in the line.


The figure on the side shows a schematic diagram of a possible correct installation of silencers for a standard DL100 pump (the indicated flows refer to decompressor suction operation). In order to be installed correctly, silencers must be supported by means of clamping points, e.g., with metal clamps (refer to the figure on the side), or with special support systems.

The discharge silencer (when assailed by decompressor discharge airflows) is subjected to the passage of high-temperature air that may cause overheating.


 **Attention: place the silencer out of the reach of operators or provide suitable guards.**

An adjustable curved pipe is installed on the outlet of the silencer, in order to prevent rain from entering and to enable positioning (during installation) of the output airflow.

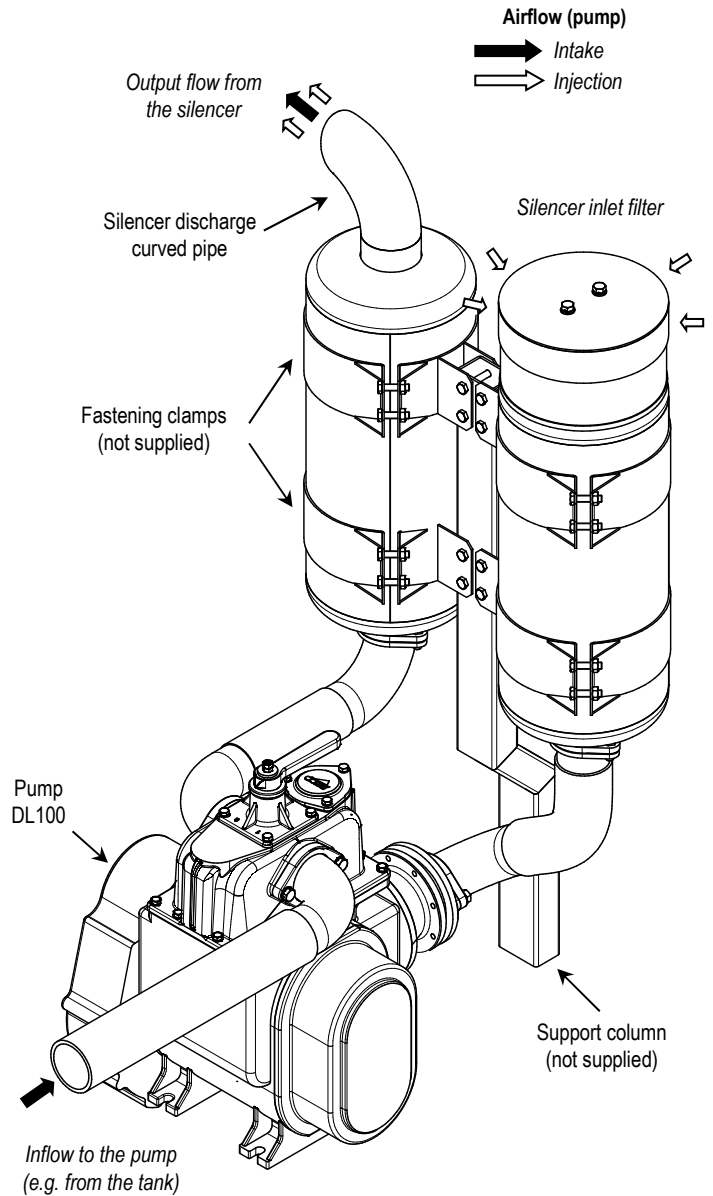
Pay special attention to the fumes suctioned by the vacuum pump and emitted through the silencer.

 **Attention: direct the silencer discharge away from operators and from the intake duct of the vehicle engine.**

Direct the silencer discharge output away from the silencer suction inlet in order to prevent the input of hot fluids into the injection inlet.

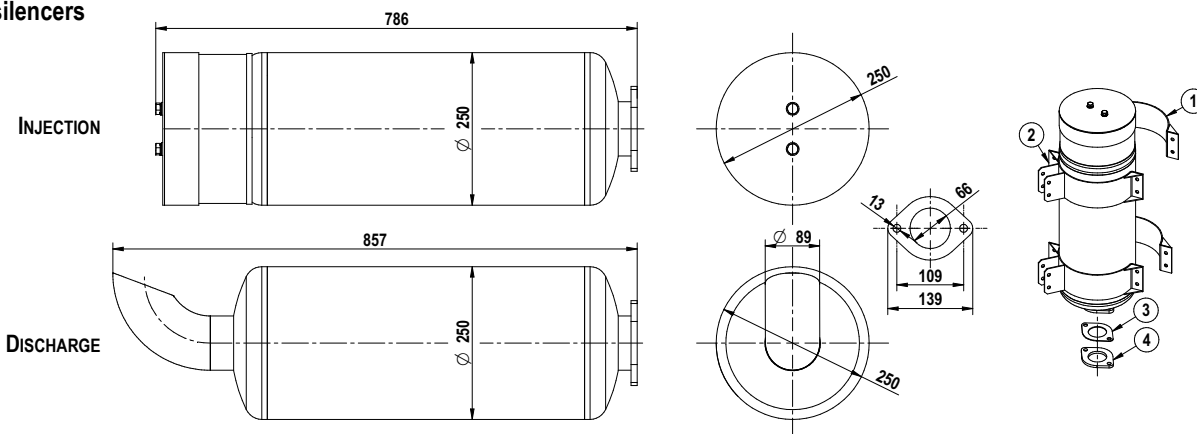
 **Attention: direct the silencer discharge output away from the silencer suction inlet in order to prevent the input of hot fluids into the injection inlet.**

DL series silencers are designed to be installed vertically. Different types of installation must be agreed upon with Jurop.

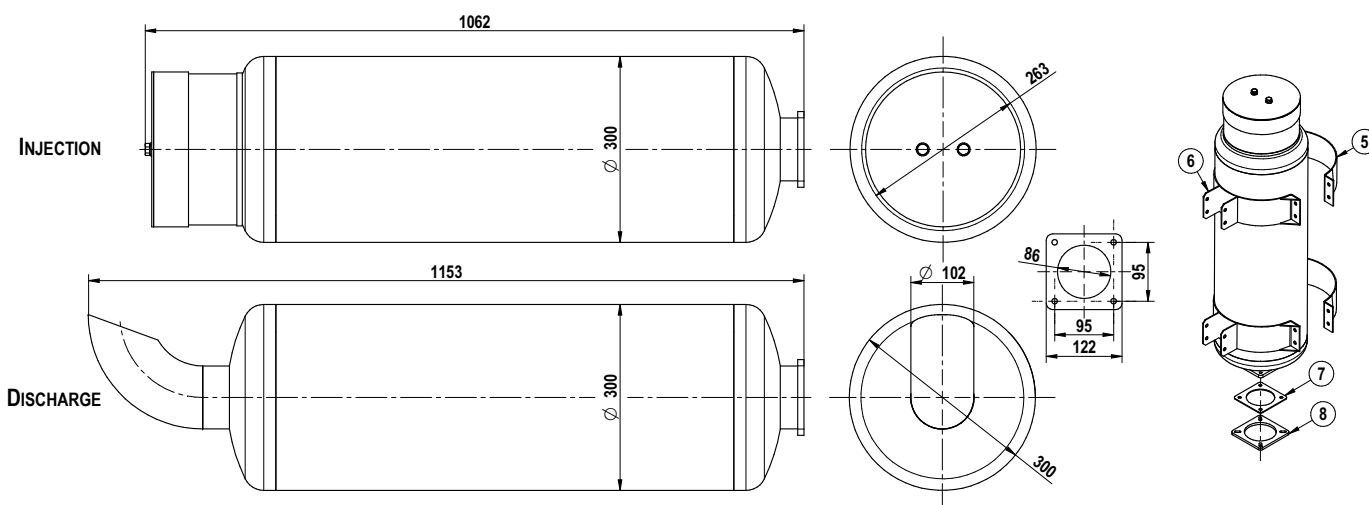


DL SILENCERS

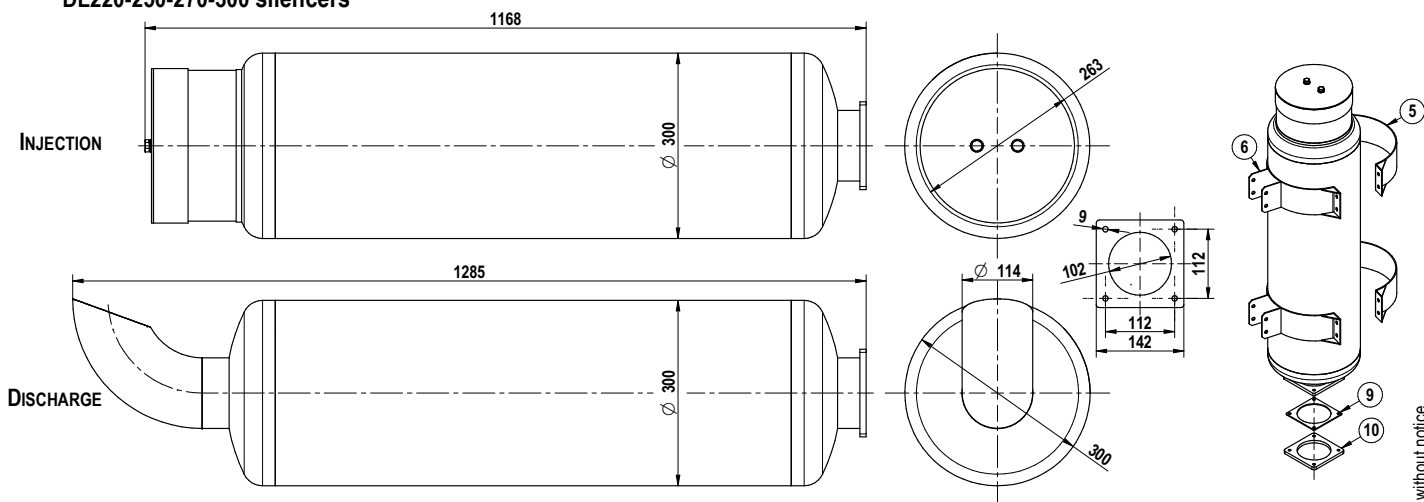
DL60-80-100 silencers



DL150-180 silencers



DL220-250-270-300 silencers



Accessories available upon request

Pos.	Code	Description	Q.ty	Pos.	Code	Description	Q.ty
1	15130RJVBO	SUPPORT D.250 (IRON)	2	6	15130ZURA0	SUPPORT D.300 (FE) WITH PLATE	2
2	15130RJUB0	SUPPORT D.250 (IRON) WITH PLATE	2	7	1680711200	GASKET	1
3	1680614400	GASKET	1	8	16100WRXB0	FLANGE	1
4	16100WRYB0	FLANGE	1	9	168079XIB0	GASKET	1
5	1513003IB0	SUPPORT D.300 (IRON)	2	10	161009XMB0	FLANGE	1

These accessories do not include nuts and bolts.