



# INTERPUMPGROUP

# E3

I  
GB  
F

**ISTRUZIONI D'USO**  
**INSTRUCTIONS FOR USE**  
**MODE D'EMPLOI**

D  
E  
P

**BEDIENUNGSANLEITUNG**  
**INSTRUCCIONES DE USO**  
**INSTRUÇÕES DE USO**

Questo manuale deve essere letto e compreso in accordo al libretto generico "Istruzioni d'uso e manutenzione".  
 This manual must be read and followed in accordance with the generic "Instructions for Use and Maintenance" booklet.  
 Ce manuel doit être lu et compris en accord avec la notice générale " Mode d'emploi et d'entretien ".  
 Dieses Handbuch ist in Verbindung mit dem allgemeinen Handbuch " Gebrauchs- und Wartungsanleitung " zu lesen und zu verstehen.  
 Este manual debe leerse y comprenderse de acuerdo con el manual general "Instrucciones de uso y mantenimiento"  
 Este manual deve ser lido e interpretado de acordo com o livro genérico "Instruções de uso e manutenção"




## 59

# S E R I E S

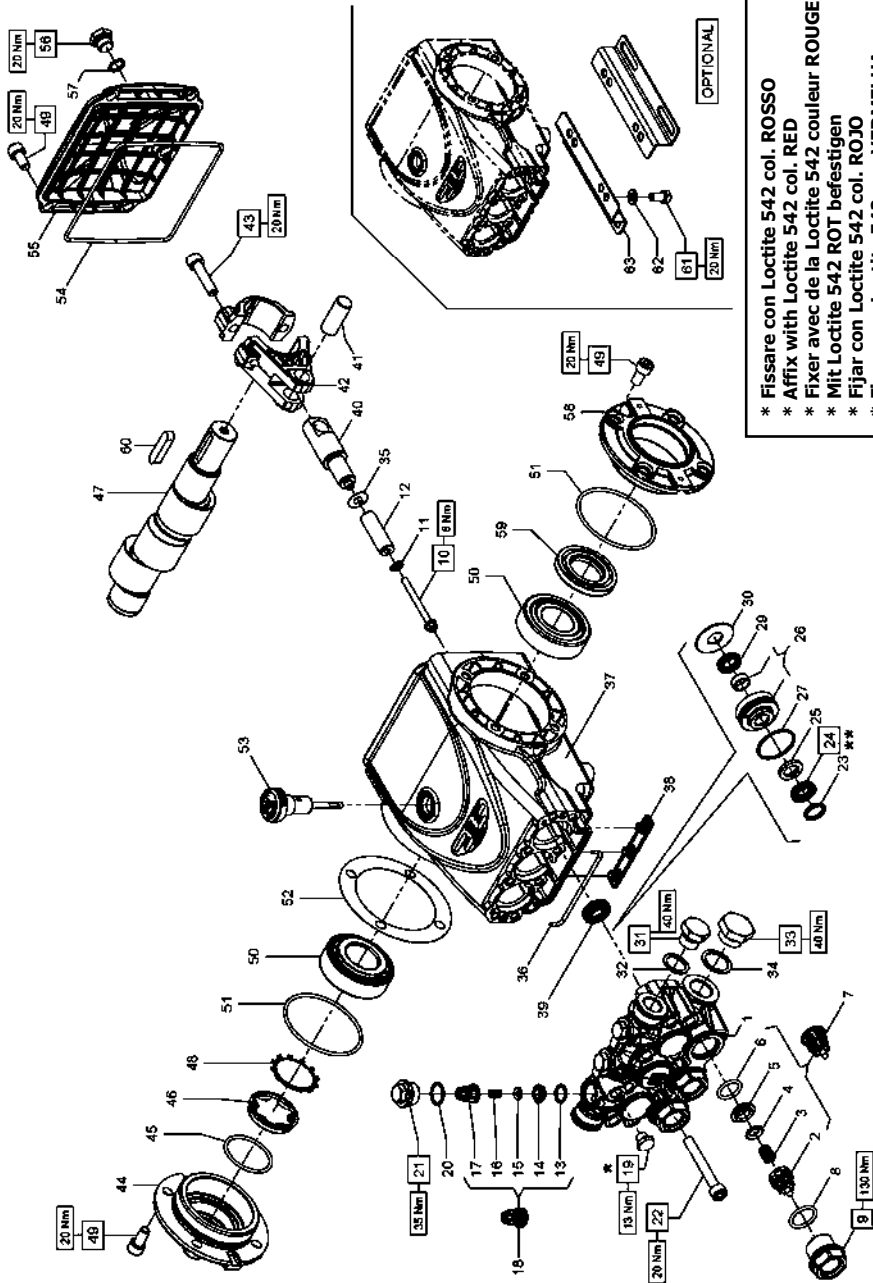


Modello Model Modèle Modell Modelo Modelo	Portata Flow rate Débit Förderstrom Caudal Flujo		Pressione Pressure Pression Druck Presión Pressão			g/m rpm t/m upm r/m r/m	Potenza Power Puissance Leistung Potencia Poder		Peso Weight Poids Gewicht Peso Peso		
	L/min	gpm	bar	MPa	psi		Hp	kW	Kg	Ibs	
E3A1713	13.0	3.43	170	17	2465	1000	5.7	4.19	9.5	21	0.65
E3A1515	14.5	3.83	150	15	2175	1000	5.6	4.12	9.5	21	0.65
E3A2113	13.0	3.43	210	21	3045	1000	7.1	5.22	9.5	21	0.65
E3A2115	14.5	3.83	210	21	3045	1000	7.9	5.81	9.5	21	0.65
E3B1911	11	2.91	190	19	2755	1450	5.4	3.97	9.5	21	0.65
E3B1713	13	3.43	170	17	2465	1450	5.7	4.19	9.5	21	0.65
E3B1515	15	3.96	150	15	2175	1450	5.8	4.26	9.5	21	0.65
E3B1218	18	4.76	120	12	1750	1450	5.6	4.12	9.5	21	0.65
E3B1021	21	5.55	100	10	1450	1450	5.5	4.04	9.5	21	0.65
E3B2511	11	2.91	250	25	3625	1450	7.1	5.22	9.5	21	0.65
E3B2513	13	3.43	250	25	3625	1450	8.4	6.18	9.5	21	0.65
E3B2515	15	3.96	250	25	3625	1450	9.7	7.13	9.5	21	0.65
E3B2118	18	4.76	210	21	3045	1450	9.8	7.21	9.5	21	0.65
E3B2121	21	5.55	210	21	3045	1450	11.5	8.46	9.5	21	0.65

**59****S  
E  
R  
I  
E  
S**

Modello Model Modèle Modell Modelo Modelo	Portata Flow rate Débit Förderstrom Caudal Fluxo		Pressione Pressure Pression Druck Presión Pressão			g/m rpm t/m upm r/m r/m	Potenza Power Puissance Leistung Potencia Poder		Peso Weight Poids Gewicht Peso Peso		
	L/min	gpm	bar	MPa	psi		Hp	kW	Kg	Ibs	
E3C1713	13	3.43	170	17	2465	1750	5.7	4.19	9.5	21	0.65
E3C1515	15	3.96	150	15	2175	1750	5.8	4.26	9.5	21	0.65
E3C1218	18	4.76	120	12	1750	1750	5.6	4.12	9.5	21	0.65
E3C1021	21	5.55	100	10	1450	1750	5.5	4.04	9.5	21	0.65
E3C2513	13	3.43	250	25	3625	1750	8.4	6.18	9.5	21	0.65
E3C2515	15	3.96	250	25	3625	1750	9.7	7.13	9.5	21	0.65
E3C2518	18	4.76	250	25	3625	1750	11.7	8.60	9.5	21	0.65
E3C2521	21	5.55	250	25	3625	1750	13.6	10.00	9.5	21	0.65
E3E2813	13	3.43	275	27.5	4000	3400	9.3	6.84	9.5	21	0.65
E3E2815	15	3.96	275	27.5	4000	3400	10.7	7.87	9.5	21	0.65
E3E2517	17	4.49	250	25	3625	3400	11.0	8.09	9.5	21	0.65
E3E2520	20	5.28	250	25	3625	3400	13.0	9.56	9.5	21	0.65





\* Fissare con Loctite 542 col. ROSSO  
 \* Affix with Loctite 542 col. RED  
 \* Fixer avec de la Loctite 542 couleur ROUGE  
 \* Mit Loctite 542 ROT befestigen  
 \* Fijar con Loctite 542 col. ROJO  
 \* Fixar com Loctite 542 cor. VERMELHA  
  
 \*\* Lubrificare con grasso di vaselina  
 \*\* To lubricate with vaseline grease  
 \*\* Lubrifier avec gras des vaseline  
 \*\* Sich mit fett zum vaselin schmieren  
 \*\* Para lubricar con la grasa de vaselina  
 \*\* Para lubrificar com a graxa de vaselina



### KIT RICAMBI – SPARE KITS

KIT Nr.	KIT 269	KIT 270	KIT 271	KIT 282	KIT 287	KIT 283	PIST. D. 15	PIST. D. 18	PIST. D. 20	PIST. D. 22
Posizioni include Positions included	2-3-4 5-6-13 14-15-16 17-(7)-(18)	8-9 20-21	39	23-24 25-27 29 30	23-24 25-26 27-29 30	23-24 25-26 27-29 30	KIT 284	KIT 289	KIT 290	KIT 286
Nr. Pcs.	3+3	3+3	3	3	1	3	1	3	1	3

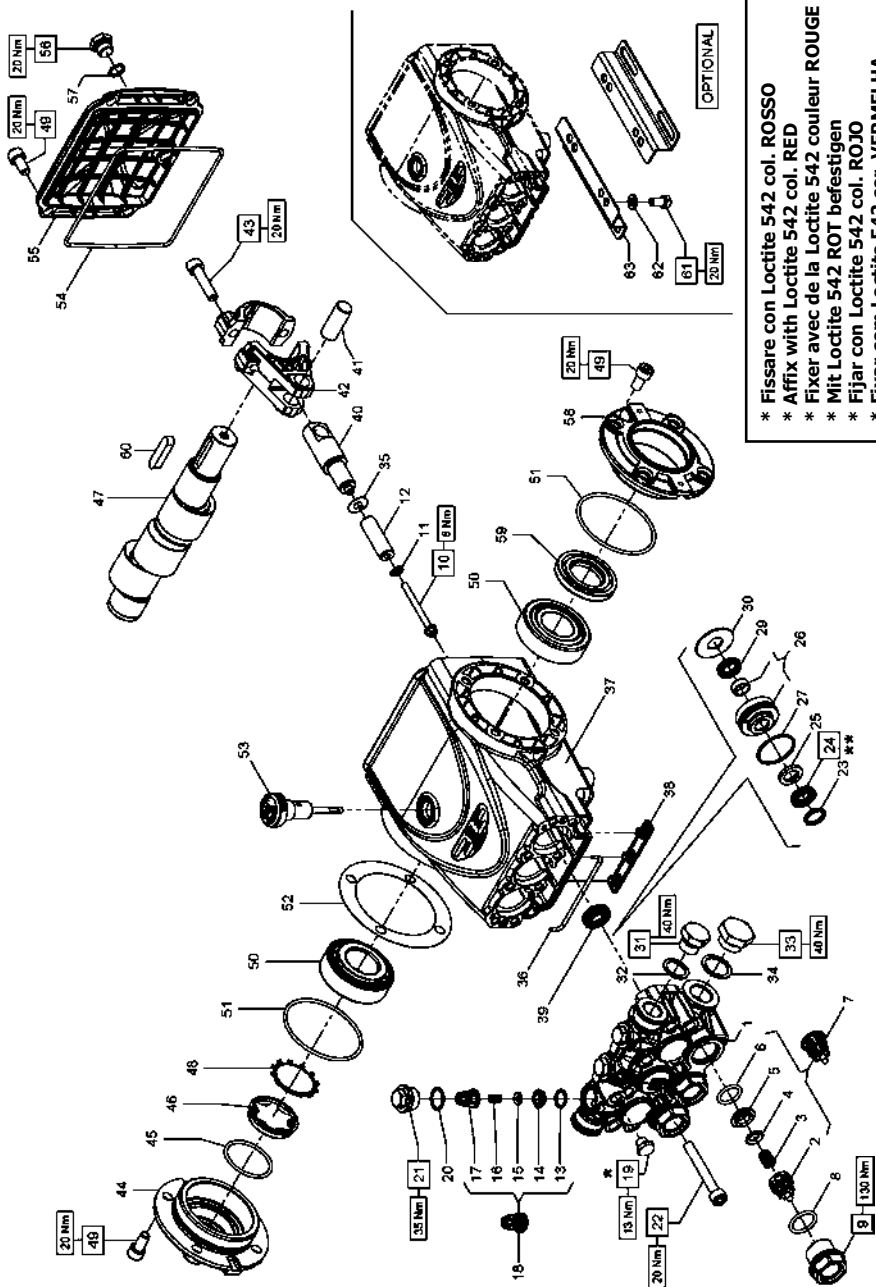
**E3A2113 – E3A2115 – E3B2511 – E3B2513**  
**E3B2515 – E3B2118 – E3B2121 – E3C2513**  
**E3C2515 – E3C2518 – E3C2521 – E3E2813**  
**E3E2815 – E3E2517 – E3E2520**

PISTON D. 13	PISTON D. 15	PISTON D. 18	PISTON D. 20	PISTON D. 22
E3E2813 E3E2815	E3E2517 E3E2520	E3C2511 E3C2513	E3B2513 E3B2515 E3C2515 E3C2518 E3C2521	E3A2113 E3A2115 E3B2118 E3B2121

POS	COD.	DESCRIZIONE – DESCRIPTION - KIT	NR
1	59.1200.41 59.1201.41 59.1202.41 59.1203.41 59.1204.41	Testata pompa D. 13 Testata pompa D. 15 Testata pompa D. 18 Testata pompa D. 20 Testata pompa D. 22	1
2	36.2025.51	Guida valvola d'aspirazione	269
3	94.7675.00	Molla Dm. 9.4x14.8	269
4	36.2001.76	Valvola sferica	269
5	36.2003.66	Sede valvola d'aspirazione	269
6	90.3841.00	OR D. 17.13x2.62 NBR 70 SH 3068	269
7	36.7115.01	Gruppo valvola d'aspirazione	269
8	90.3847.00	OR D.20.24x2.62 NBR 70 SH 3081	270
9	98.2226.00	Tappo M 24x1.5x16.7	270
10	99.1690.00	Vite M 5x55	270
11	96.6905.00	Rosetta D. 5x11.5x0.4	3
12	58.0400.09 58.0401.09 58.0402.09 59.0400.09 59.0401.09	Pistone D. 13x42 Pistone D. 15x42 Pistone D. 18x42 Pistone D. 20x42 Pistone D. 22x42	1
13	90.3589.00	OR D.12.42x1.78 NBR 70 SH 2050	269
14	36.2113.66	Sede valvola di mandata	269
15	36.2112.76	Valvola sferica	269
16	94.7333.00	Molla Dm. 6.2x10.4	269
17	36.2111.51	Guida valvola di mandata	269
18	36.7193.01	Gruppo valvola di mandata	269
19	98.1966.00	Tappo G 1/8"x8	1
20	90.3593.00	OR D.15.60x1.78 NBR 70 SH 2062	270
21	98.2137.00	Tappo M18x1.5x10 D.23-D.12	270

POS	COD.	DESCRIZIONE – DESCRIPTION - KIT	NR
22	99.3175.00	Vite M 8x60 UNI 5931	8
23	44.1002.51 63.1010.51 66.1007.51 66.1009.51 63.1010.51	Anello di testa D. 13 Anello di testa D. 15 Anello di testa D. 20 Anello di testa D. 22 Anello di testa D. 18	282-287 283-288 285-290 286-291 284-289
24	90.2691.00 90.2716.00 90.2675.50	An. ten.alt. D. 13x21x4 HP An. ten.alt. D. 15x24x5 4/3 4 HP An. ten.alt. D. 20x30x6/3.7 HP An. ten.alt. D. 22x32x6/3.7 HP An. ten.alt. D. 18x28x46/3.7 HP	282-287 283-288 284-289 285-290 286-291
25	90.5076.00 90.5089.90 90.5111.50 90.5134.00 90.5148.50	Anello antist. D. 13x21x4 Anello antist. D. 15x24x2 Anello antist. D. 18x28x2 Anello antist. D. 20x30x2 Anello antist. D. 22x32x2	282-287 283-288 284-289 285-290 286-291
26	59.6058.01 59.6059.01 59.6060.01 59.6061.01 59.6062.01	Gr. supp. guarn./bussola D. 13 Gr. supp. guarn./bussola D. 15 Gr. supp. guarn./bussola D. 18 Gr. supp. guarn./bussola D. 20 Gr. supp. guarn./bussola D. 22	287 288 289 290 291
27	90.3612.00	OR D. 31.47x1.78 NBR 70 SH. 2125 282-283-284-285-286-287-288-289-290-291	3
29	90.2601.00 90.2608.00 90.2690.00 90.2650.00	Anello ten. alt. D. 13x20x5 LP Anello ten. alt. D. 15x22x5 LP Anello ten. alt. D. 20x28x6.5 LP Anello ten. alt. D. 22x30x6.5 LP	282-287 283-288 285-290 284-289
30	59.2105.70 59.2106.70 59.2107.70 59.2108.70 59.2109.70	Anello per tenuta D. 13 Anello per tenuta D. 15 Anello per tenuta D. 18 Anello per tenuta D. 20 Anello per tenuta D. 22	287 288 289 290 291
31	98.2100.00	Tappo G 3/8"x13	1
32	96.7380.00	Rosetta D. 17.5x23x1.5	1
33	98.2176.00	Tappo G 1/2"x10.5	1
34	96.7514.00	Rosetta D. 21.5x27x1.5	1
35	96.6980.00	Rosetta D. 7.5x18x0.5	3

POS	COD.	DESCRIZIONE – DESCRIPTION - KIT	NR
36	59.2110.82	Guarnizione spugna D. 3x103	1
37	59.0100.22	Carter pompa	1
38	58.2104.51	Protezione	1
39	90.1565.50	Anello rad. D. 15x24x5/7	271
40	59.050066	Guida pistone	3
41	97.7399.00	Spinotto D. 14x34	3
42	59.0300.01	Biella completa	3
43	90.3099.00	Vite serraggio biella M 8x35	6
44	47.1512.22	Coperchio laterale lato spia	1
45	90.3877.00	OR D. 39.34x2.62 NBR 70 SH. 3156	1
46	70.2118.01	Spia livello olio	1
47	59.0201.35 E3E28.15 59.0202.35 E3C2518 E3E2520 59.0203.35 E3C2515 E3E2813 E3E2517	Albero C.13 – E3A2115 E3B2121 E3C2521 Albero C.12 – E3A2113 E3B2118 E3B2515 Albero C.10 – E3B2511 E3B2513 E3C2513 Albero C.11 – E3E2517	1
48	90.0756.00	Anello seeger D. 45	1
49	99.3039.00	Vite M 8x16 UNI 5931	12
50	91.8375.50	Cuscinetto a rulli 30x62x21.25	2
51	90.3913.00	OR D. 67.95x2.62 NBR 70 SH. 3628	2
52	97.5680.00 97.5978.00	Spessore D. 74.5x104x0.3 Spessore D. 74.5x104x0.1	1
53	98.2103.00	Asta livello olio G 3/8"x51	1
54	90.3922.00	OR D. 133.02x2.62 NBR 70 SH. 3525	1
55	59.1600.22	Coperchio posteriore carter	1
56	98.2042.50	Tappo G 1/4"x9 TE17 – Zinc.	1
57	90.3585.00	OR D. 10.82x1.78 NBR 70 SH. 2043	1
58	47.1510.22	Coperchio laterale lato PTO	1
59	90.1648.00	Anello rad. D. 30x55x7	1
60	91.4892.00	Linguetta 8x7x35	1
61	99.3037.00	Vite M 8x16 UNI 5739	4
62	96.7016.00	Rosetta D. 8.4 UNI 1751	4
63	50.2000.74	Piedino pompa	2



- \* Fissare con Loctite 542 col. ROSSO
- \* Affix with Loctite 542 col. RED
- \* Fixer avec de la Loctite 542 couleur ROUGE
- \* Mit Loctite 542 ROT befestigen
- \* Fijar con Loctite 542 col. ROJO
- \* Fixar com Loctite 542 cor. VERMELHA
- \*\* Lubrificare con grasso di vaselina
- \*\* To lubricate with vaseline grease
- \*\* Lubrifier avec gras des vaseline
- \*\* Sich mit fett zum vaselin schmieren
- \*\* Para lubricar con la grasa de vaselina
- \*\* Para lubrificar com a graxa de vaselina



### KIT RICAMBI - SPARE KITS

KIT Nr.	KIT 269	KIT 292	KIT 271	KIT 282	KIT 287	KIT 283	PIST. D. 15	PIST. D. 18	PIST. D. 20	PIST. D. 22
Posizioni include Positions Included	2 - 3 - 4 5 - 6 - 13 14 - 15 - 16 17 - (7) - (18)	8 - 9 20 - 21	39	23 - 24 25 - 26 27 - 29 30	23 - 24 25 - 26 27 - 29 30	23 - 24 25 - 26 27 - 29 30	23 - 24 25 - 26 27 - 29 30	23 - 24 25 - 26 27 - 29 30	23 - 24 25 - 26 27 - 29 30	23 - 24 25 - 26 27 - 29 30
Nr. Pcs.	3 + 3	3 + 3	3	3	1	3	1	3	1	3

**E3A2113 - E3A2115 - E3B2511 - E3B2513**  
**E3B2515 - E3B2118 - E3B2121 - E3C2513**  
**E3C2515 - E3C2518 - E3C2521 - E3E2813**  
**E3E2815 - E3E2517 - E3E2520**

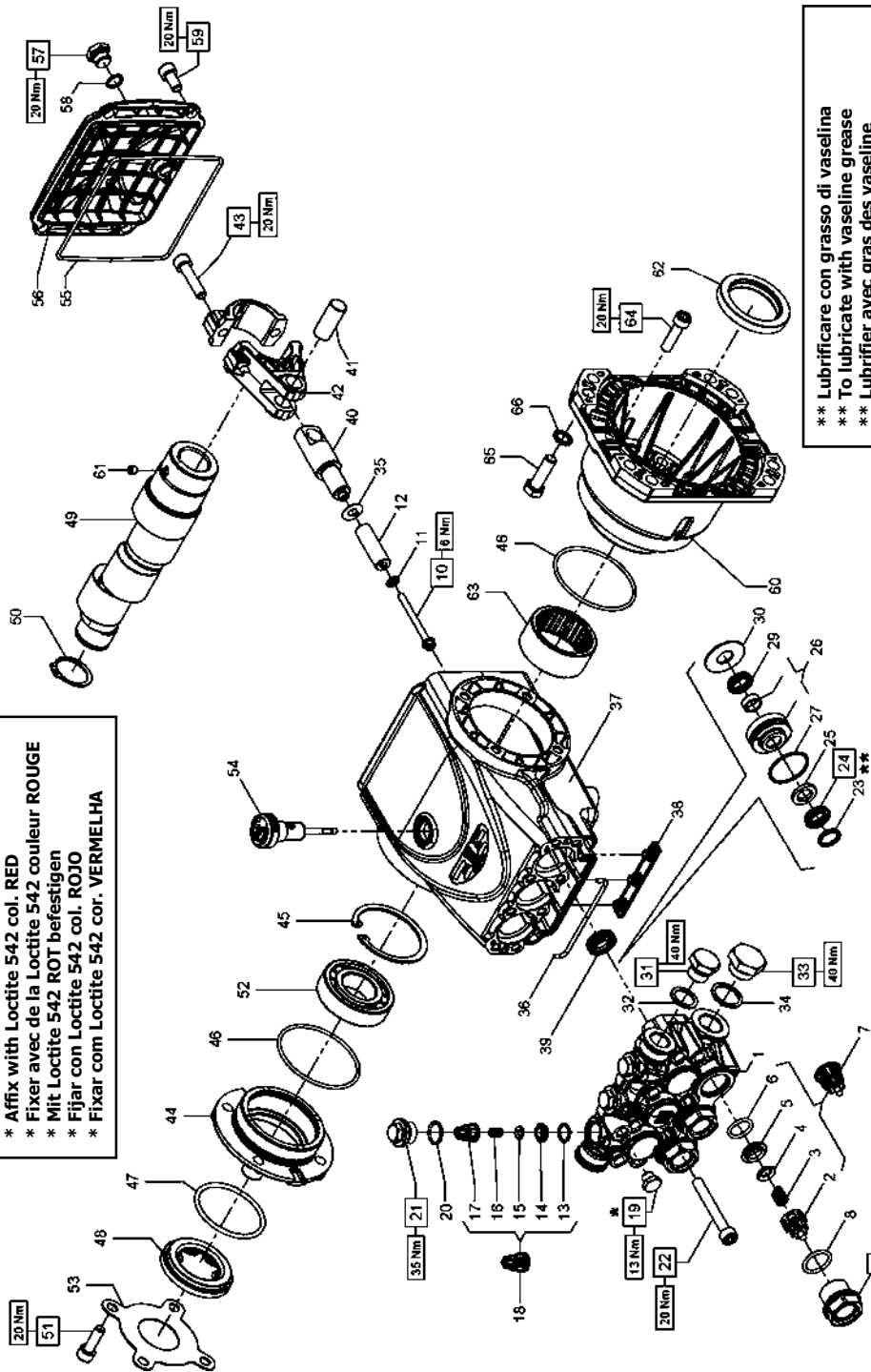
PISTON D. 13	PISTON D. 15	PISTON D. 18	PISTON D. 20	PISTON D. 22
E3E2813 E3E2815	E3E2517 E3E2520	E3C2511 E3C2513	E3B2513 E3C2515 E3C2518 E3C2521	E3A2113 E3A2115 E3B2118 E3B2121 E3B2511

POS	COD.	DESCRIZIONE - DESCRIPTION - KIT	NR
1	59.1210.41	Testata pompa D. 13 - NICKEL	1
2	36.2025.51	Guida valvola d'aspirazione	269
3	94.7676.00	Molla Dm. 9.4x14.8	269
4	36.2001.76	Valvola sferica	269
5	36.2003.66	Sede valvola d'aspirazione	269
6	90.3841.00	OR D. 17.13x2.62 NBR 70 SH 3068269	3
7	36.7115.01	Gruppo valvola d'aspirazione	269
8	90.3847.00	OR D. 20.24x2.62 NBR 70 SH 3081292	3
9	98.2225.00	Tappo M 24x1.5x11.6x1.7 - NICKEL	292
10	99.1690.00	Vite M 5x55	3
11	96.6905.00	Rosetta D.5x11.5x0.4	3
12	58.0400.09	Pistone D. 13x42	1
13	58.0401.09	Pistone D. 15x42	3
14	58.0402.09	Pistone D. 18x42	3
15	59.0400.09	Pistone D. 20x42	3
16	59.0401.09	Pistone D. 22x42	3
17	90.3589.00	OR D.12.42x1.78 NBR 70 SH 2050269	3
18	36.2113.66	Sede valvola di mandata	269
19	96.2112.76	Valvola sferica	269
20	94.7333.00	Molla Dm. 6.2x10.4	269
21	36.2111.51	Guida valvola di mandata	269
22	36.7193.01	Gruppo valvola di mandata	269
23	98.1967.00	Tappo G 1/8"x8 - NICKEL	1
24	90.3593.00	OR D.15.60x1.78 NBR 70 SH 2062292	3
25	98.2137.50	Tappo M18x1.5x10 D.23-D.12 - NK	292
26	99.3175.00	Vite M 8x60 UNI 5931	8

POS	COD.	DESCRIZIONE - DESCRIPTION - KIT	NR
23	66.1007.51	Anello di testa D. 20	285-290
	66.1009.51	Anello di testa D. 22	286-291
	63.1010.51	Anello di testa D. 15	283-288
	63.1011.51	Anello di testa D. 18	284-289
	44.1002.51	Anello di testa D. 13	282-287
	90.2691.00	An. ten. alt. D.20x30x6/3.7 HP	285-290
	90.2716.00	An. ten. alt. D.22x32x6/3.7 HP	286-291
24	90.2611.00	An. ten. alt. D.15x24x5.4/3.4 HP	283-288
	90.2653.50	An. ten. alt. D.18x28x6/3.7 HP	284-289
	90.2602.00	An. ten. alt. D.13x21x4 HP	282-287
	90.5076.50	Anello antiest. D. 13x21x4	282-287
	90.5089.50	Anello antiest. D. 15x24x2	283-288
25	90.5111.50	Anello antiest. D. 18x28x2	284-289
	90.5134.00	Anello antiest. D. 20x30x2	285-290
	90.5148.50	Anello antiest. D. 22x32x2	286-291
	59.6058.01	Gr. sup. guarn./boccola D. 13	287
	59.6059.01	Gr. sup. guarn./boccola D. 15	288
26	59.6060.01	Gr. sup. guarn./boccola D. 18	289
	59.6061.01	Gr. sup. guarn./boccola D. 20	290
	59.6062.01	Gr. sup. guarn./boccola D. 22	291
27	90.3612.00	OR D. 31.47x1.78 NBR 70 SH. 2125 282-283-284-285-286-287-288-289-290-291	3
	90.2690.00	Anello ten. alt. D.20x28x6.5 LP	285-290
	90.2715.00	Anello ten. alt. D.22x30x6.5 LP	286-291
29	90.2608.00	Anello ten. alt. D.15x22x5 LP	283-288
	90.2650.00	Anello ten. alt. D.18x24x5 LP	284-289
	90.2601.00	Anello ten. alt. D.13x20x5 LP	282-287
	59.2105.70	Anello per tenuta D. 13	287
	59.2106.70	Anello per tenuta D. 15	288
30	59.2107.70	Anello per tenuta D. 18	289
	59.2108.70	Anello per tenuta D. 20	290
	59.2109.70	Anello per tenuta D. 22	291
31	98.2099.00	Tappo G 3/8"x13 - NICKEL	1
32	96.7380.00	Rosetta D. 17.5x23x1.5	1
33	98.2179.00	Tappo G 1/2"x10 - NICKEL	1
34	96.7514.00	Rosetta D. 21.5x27x1.5	1
35	96.6990.00	Rosetta D. 7.5x23x0.5	3
36	59.2110.82	Guarnizione spugna D. 3x103	1

POS	COD.	DESCRIZIONE - DESCRIPTION - KIT	NR
37	59.0100.22	Carter pompa	1
38	58.2104.51	Protezione	1
39	90.1565.50	Anello rad. D. 15x24x5/7	271
40	59.0500.66	Guida pistone	3
41	97.7399.00	Spinotto D. 14x34	3
42	59.0300.01	Biella completa	3
43	99.3099.00	Vite serraggio biella M8x35	6
44	47.1512.22	Coperchio laterale lato spia	1
45	90.3877.00	OR D. 39.34x2.62 NBR 70 SH. 3156	1
46	70.2118.01	Spia livello olio	1
	59.0201.35	Albero C.13 - E3A2115 E3B2121 E3C2521 E3E2815	1
47	59.0202.35	Albero C.12 - E3A2113 E3B2118 E3E2815 E3C2518 E3E2520	1
	59.0203.35	Albero C.10 - E3E2511 E3B2513 E3C2513 E3C2515 E3E2813 E3E2517	1
48	90.0756.00	Anello seeger D. 45	1
49	90.3039.00	Vite M8x16 UNI 5931	12
50	91.8375.00	Cuscinetto a rulli D. 30x62x21.25	2
51	90.3913.00	OR D. 67.95x2.62 NBR 70 SH. 3628	2
52	97.5680.00	Spessore D. 74.5x104x0.3	1
	97.5678.00	Spessore D. 74.5x104x0.1	1
53	98.2105.00	Asta livello olio G 3/8"x51 D.7	1
54	90.3922.00	OR D. 133.02x2.62 NBR 70 SH. 3525	1
55	59.1600.22	Coperchio posteriore canter	1
56	98.2042.50	Tappo G 1/4"x9 TE17 - Zinc.	1
57	90.3585.00	OR D. 10.82x1.78 NBR 70 SH. 2043	1
58	47.1510.22	Coperchio laterale lato PTO	1
59	90.1648.00	Anello rad. D. 30x55x7	1
60	91.4892.00	Linguetta 8x7x35	1
61	99.3037.00	Vite M 8x16 UNI 5739	4
62	96.7016.00	Rosetta D. 8.4 UNI 1751	4
63	50.2000.74	Piedino pompa	2

- \* Fissare con Loctite 542 col. ROSSO
- \* Affix with Loctite 542 col. RED
- \* Fixer avec de la Loctite 542 couleur ROUGE
- \* Mit Loctite 542 ROT befestigen
- \* Fijar con Loctite 542 col. ROJO
- \* Fixar com Loctite 542 cor. VERMELHA



- \*\* Lubrificare con grasso di vaselina
- \*\* To lubricate with vaseline grease
- \*\* Lubrifier avec gras des vaseline
- \*\* Sich mit fett zum vaselin schmieren
- \*\* Para lubricar con la grasa de vaselina
- \*\* Para lubrificar com a graxa de vaselina

DIS. COD. 59.9501.00





## E3E2813 – E3E2815 E3E2517 – E3E2520

PISTON D. 13		PISTON D. 15		
E3E2813 - E3E2815		E3E2517 - E3E2520		
POS	COD.	DESCRIZIONE - DESCRIPTION - KIT	NR	NR
1	59.1210.41 59.1211.41	Testata pompa D. 13 - NICKEL Testata pompa D. 15 - NICKEL	1	
2	36.2025.51	Guida valvola d'aspirazione	269	3
3	94.7676.00	Molla Dm. 9.4x14.8	269	3
4	36.2001.76	Valvola sferica	269	3
5	36.2003.66	Sede valvola d'aspirazione	269	3
6	90.3841.00	OR D. 17.13x2.62 NBR 70 SH 3068	269	3
7	36.7115.01	Gruppo valvola d'aspirazione	269	3
8	90.3847.00	OR D.20.24x2.62 NBR 70 SH 3081	292	3
9	98.2225.00	Tappo M24x1.5x16.7 - NICKEL	292	3
10	99.1690.00	Vite M 5x65	3	3
11	96.6905.00	Rosetta D. 5x11.5x0.4	3	3
12	58.0400.09 58.0401.09	Pistone D. 13x42 Pistone D. 15x42	1	
13	90.3589.00	OR D.12.42x1.78 NBR 70 SH 2050	269	3
14	36.2113.66	Sede valvola di mandata	269	3
15	36.2112.76	Valvola sferica	269	3
16	94.7333.00	Molla Dm. 6.2x10.4	269	3
17	36.2111.51	Guida valvola di mandata	269	3
18	36.7193.01	Gruppo valvola di mandata	269	3
19	98.1967.00	Tappo G 1/8"x8 - NICKEL	1	
20	90.3593.00	OR D.15.60x1.78 NBR 70 SH 2062	292	3
21	98.2137.50	Tappo M18x1.5x10 D.23.D.12 - NK	292	3
22	99.3175.00	Vite M 8x60 UNI 5931	8	
23	63.1010.51 44.1002.51	Anello di testa D. 15 Anello di testa D. 13	283-288 282-287	3

## KIT RICAMBI – SPARE KITS

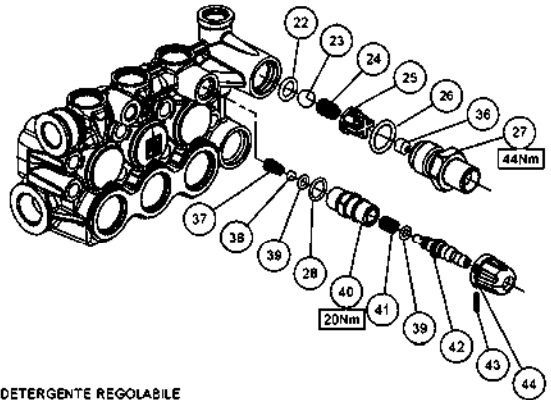
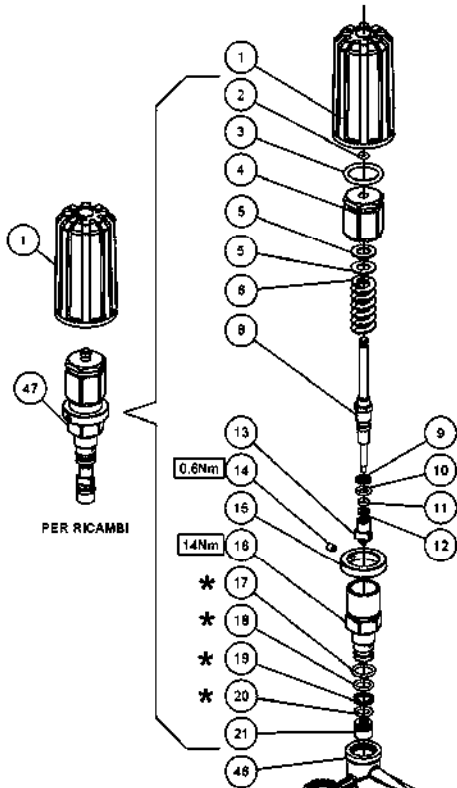
KIT Nr.	KIT 269	KIT 292	KIT 271	PIST. D. 13			PIST. D. 15		
				KIT 282	KIT 287	KIT 283	KIT 288	KIT 283	KIT 288
Posizioni include Positions included	2 - 3 - 4 5 - 6 - 13 14 - 15 - 16 17 - (7) - (18)	8 - 9 20 - 21	39	23 - 24 25 - 27 29	23 - 24 25 - 26 27 - 29 30	23 - 24 25 - 27 29	23 - 24 25 - 26 27 - 29 30	23 - 24 25 - 26 27 - 29 30	1
Mr. Pcs.	3 + 3	3 + 3	3	3	1	3	3	1	1

POS	COD.	DESCRIZIONE - DESCRIPTION - KIT	NR	NR
24	90.2601.00 90.2602.00	An. ten.alt. D.15x24x5.4/3.4 HP 283-288 An. ten.alt. D.13x21x4 HP 282-287	3	3
25	90.5076.50	Anello antiest. D. 13x21x4	282-287	3
26	59.6058.01 59.6059.00	Anello antiest. D. 15x24x2 Gr. supp. guarn./bussola D. 13 287	283-288	3
27	90.3612.00	OR D. 31.47x1.78 NBR 70 SH. 2125 282-283-284-285-286-287-288-289-290-291	288	3
29	90.2608.00 90.2601.00	Anello ten. alt. D. 15x22x5 LP 283-288 Anello ten. alt. D. 13x20x5 LP 282-287	287	3
30	59.2105.70 59.2106.70	Anello per tenuta D. 13 Anello per tenuta D. 15	287 288	3
31	98.2099.00	Tappo G 3/8"x13 - NICKEL	1	1
32	96.7380.00	Rosetta D. 17.5x23x1.5	1	1
33	98.2179.00	Tappo G 1/2"x10 - NICKEL	1	1
34	96.7514.00	Rosetta D. 21.5x27x1.5	1	1
35	96.6990.00	Rosetta D. 7.5x23x0.5	3	3
36	59.2110.82	Guarnizione spugna D. 3x103	1	1
37	59.0100.22	Cartier pompa	1	1
38	58.2104.51	Protezione	1	1
39	90.1565.50	Anello rad. D. 15x24x5/7	271	3
40	59.0500.66	Guida pistone	3	3
41	97.7399.00	Spinotto D. 14x34	3	3
42	59.0300.01	Biella completa	3	3
43	99.3099.00	Vite serraggio biella M8x35	6	
44	47.1500.22	Coperchio laterale lato spia	1	
45	90.0850.00	Anello seeger D. 62	1	
46	90.3913.00	OR D. 67.95x2.62 NBR 70 SH. 3628	2	
47	90.4097.00	OR D. 55.56x3.53 NBR 70 SH. 159	1	
48	44.2118.01	Distanziale con indicatore	1	

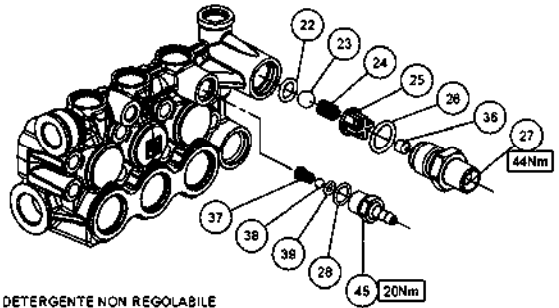
# VH VERSION

VERSIONE CON VALVOLA DI REGOLAZIONE AUT. - VERSION WITH BUILT-IN AUT. UNLOADER  
 VERSION AVEC RÉGULATEUR AUT. DE PRESSION INCORPORÉ  
 AUSFÜHRUNG MIT EINGEBAUTEM AUT. DRUCKREGULIERVENTIL  
 VERSIÓN CON REGULADOR AUT. DE PRESIÓN INCORPORADO - VERSÃO COM VÁLVULA DO REGULAMENTO AUT.

## OPTIONALS

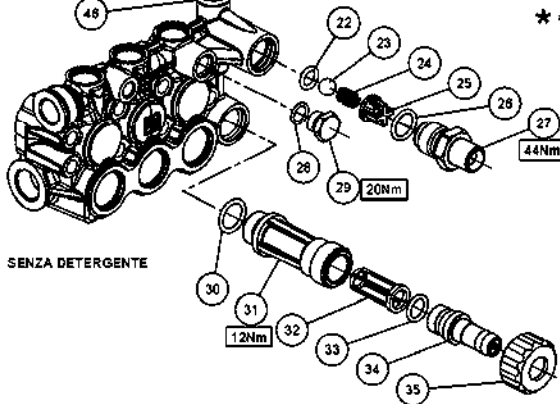


DETERGENTE REGOLABILE



DETERGENTE NON REGOLABILE

\* = Se necessario prima del montaggio ingrassare.  
 - Usare grasso di vaselina per pompe -



SENZA DETERGENTE

# VH VERSION

**VERSIONE CON VALVOLA DI REGOLAZIONE AUT. – VERSION WITH BUILT-IN AUT. UNLOADER  
 VERSION AVEC RÉGULATEUR AUT. DE PRESSION INCORPORÉ  
 AUSFÜHRUNG MIT EINGEBAUTEM AUT. DRUCKREGULIERVENTIL  
 VERSIÓN CON REGULADOR AUT. DE PRESIÓN INCORPORADO - VERSÃO COM VÁLVULA DO REGULAMENTO AUT.**

POS	COD.	DESCRIZIONE – DESCRIPTION - KIT	NR
1	36.3485.51	Pomolo di regolazione	1
2	90.3566.00	OR D.2.90X1.78 NBR 70 SH. 2012	1
3	90.3845.00	OR D.18.72X2.62 NBR 70 SH. 3075	1
4	36.3481.70	Registro di pressione	1
5	36.3486.51	Rondella di scorrimento	2
6	94.7395.00	Molla D.11.3x34.5	1
8	N.A.	Pistoncino di comando	1
9	N.A.	Anello antiest. D.6.1x9x1.5	1
10	N.A.	OR D.6.07x1.78 NBR 70 Sh. 2025	1
11	N.A.	OR D.3.69x1.78 NBR 70 Sh. 2015	1
12	N.A.	Anello antiest. D.4x7x1.5	1
13	N.A.	Otturatore	1
14	99.1267.00	Vite M4x5 UNI 5929	1
15	36.3477.70	Ghiera di pressione massima	1
16	N.A.	Boccola di guida	1
17	90.3587.00	OR D.11.11x1.78 NBR 70 SH. 114	1
18	90.3581.00	OR D.8.73x1.78 NBR 70 SH. 108	1
19	90.5038.00	Anello antiest. D.9x12x1.5	1
20	90.3578.00	OR D.7.66x1.78 NBR 70 SH. 2031	1
21	36.3483.66	Sede	1
22	90.3823.00	OR D.9.92x2.62 NBR 70 SH. 112	278 1
23	97.4838.00	Sfera Ø 13/32"	278 1
24	94.7355.00	Molla Ø 8.5x12	278 1
25	36.3104.51	Guida valvola	278 1
26	90.3839.00	OR Ø 15.88x2.62 NBR 70 Sh. 121	278 1
27	36.3490.70 36.3489.70 36.3488.70 36.3487.70 36.3479.70	Nipplo 3/8" NPT – F – Ø3 Nipplo G 3/8" – F – Ø3 Nipplo M22x1.5 – Ø3 Nipplo 3/8" NPT – M – Ø3 Nipplo G 3/8" – M – Ø3	1
28	90.3585.00	OR Ø 10.82x1.78 NBR 70 Sh. 2043 279-280	1
29	98.2041.00	Tappo G 1/4"x9	1

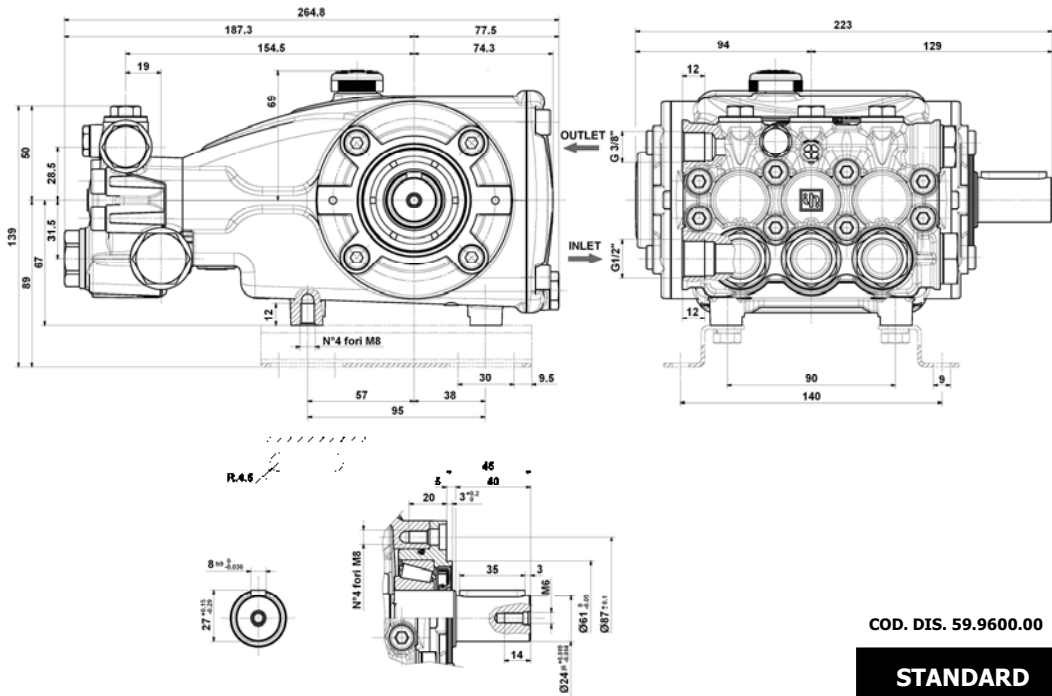
POS	COD.	DESCRIZIONE – DESCRIPTION - KIT	NR
36	10.0795.66 10.0798.66	Ugello per iniettore Ø 2 Ugello per iniettore Ø 2.2	1
37	94.8217.00	Molla conica Ø 4.3/7.3x11	279-280 1
38	97.4782.00	Sfera Ø 7/32"	279-280 1
39	90.3573.00	OR Ø 5.28x1.78 NBR 70 Sh. 2021 279-280	2
40	36.3482.70	Sede valvola detergente	279 1
41	94.7334.00	Molla Ø 6.4x12.5	279 1
42	36.3342.70	Otturatore con portagomma	279 1
43	97.6615.00	Spina elastica Ø 2x12 UNI 6873	279 1
44	36.3484.51	Pomolo detergente rosso	279 1
45	36.3492.70	Portagomma	280 1
46	59.1206.41 59.1207.41 59.1208.41 59.1209.41	Testata pompa con valv. integr. D.15 Testata pompa con valv. integr. D.18 Testata pompa con valv. integr. D.20 Testata pompa con valv. integr. D.22	1
47	36.6054.01	Frutto valvola con sede	278 1
<b>OPTIONALS</b>			
30	90.3841.00	OR Ø 17.13x2.62 NBR 70 Sh. 3068	1
31	36.3182.51	Nipplo aspirazione G 3/4"	1
32	92.8925.00	Filtro Ø 12x35	1
33	90.3828.00	OR Ø 12.37x2.62 NBR 70 Sh. 3050	1
34	36.2569.51	Portagomma aspirazione	1
35	92.9828.00	Ghiera G 3/4" – Ø 15	1

**N.A. : NOT AVAILABLE – PARTICOLARE NON FORNITO**

## KIT RICAMBI – SPARE KITS

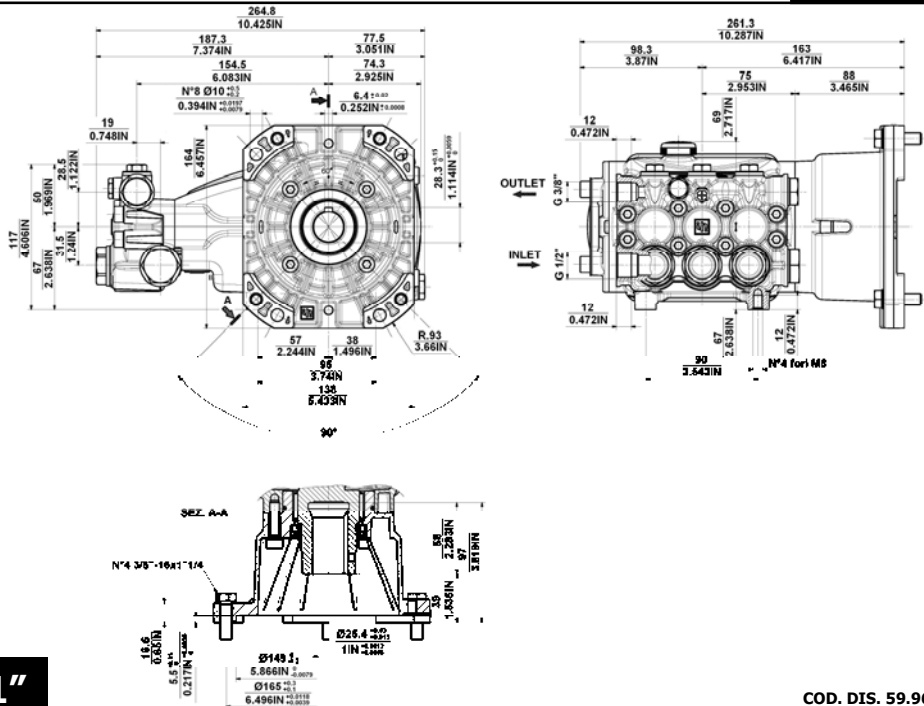
KIT NR.	KIT 278	KIT 279	KIT 280
<b>Posizioni include</b>	<b>22 – 23</b>	<b>28 – 37</b>	<b>28 – 37</b>
<b>Positions included</b>	<b>24 – 25</b>	<b>38 – 39</b>	<b>38 – 39</b>
	<b>26 - 47</b>	<b>40 – 41</b>	<b>45</b>
		<b>42 – 43</b>	
		<b>44</b>	
<b>Nr. Pcs.</b>	-	-	-

**DIMENSIONI D'INGOMBRO – OVERALL DIMENSIONS – DIMENSIONS D'ENCOMBREMENT  
RAUMBEDARF – DIMENSIONES TOTALES – DIMENSÕES**



COD. DIS. 59.9600.00

**STANDARD**



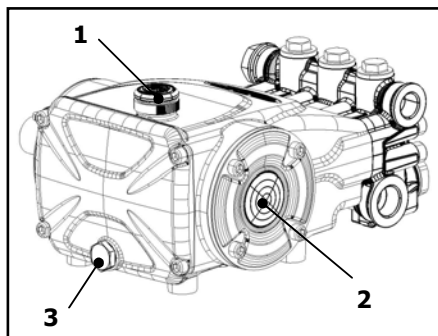
**C1"**

COD. DIS. 59.9602.00



## 1 - CAMBIO OLIO

- 1.1 – Il cambio dell'olio va eseguito con pompa a temperatura di lavoro.
- 1.2 – Posizionare un recipiente sotto il tappo di scarico olio (3).
- 1.3 – Rimuovere il tappo con asta (1) e successivamente il tappo di scarico (3).
- 1.4 – Attendere fino a quando tutto l'olio è uscito, quindi riavvitare il tappo di scarico (3) con la coppia torcente indicata su disegno esploso.
- 1.5 – Riempire con olio nuovo fino al raggiungimento della mezzeria del tappo spia livello olio (2) e riavvitare il tappo con asta (1).



**Per il tipo di olio da utilizzare fare riferimento a quanto indicato sul libretto generico.**



**ATTENZIONE: L'olio esausto deve essere raccolto in recipienti e smaltito negli appositi centri in accordo alla normativa vigente. Non deve essere assolutamente disperso nell'ambiente.**

## 1 – OIL CHANGING

- 1.1 – Oil changing must be done with the pump at operating temperature.
- 1.2 – Put a container under the oil drain plug (3).
- 1.3 – Remove the oil dipstick (1) and then the drain plug (3).
- 1.4 – Wait until all the oil has drained out, then screw the drain plug (3) and tighten at the torque shown in the exploded diagram.
- 1.5 – Fill with new oil until the middle of the oil level indicator (2) is reached, screw by hand the oil dipstick (1).

**Refer to the generic booklet for the type of oil to use.**



**WARNING: The exhaust oil must be collected in receptacles and disposed of at authorised centres as specified by law. It must not be thrown away in the environment.**

## 1 - CHANGEMENT DE L'HUILE

- 1.1 – Le changement de l'huile doit être exécuté avec la pompe à température d'exercice.
- 1.2 – Placer un récipient sous le bouchon de vidange de l'huile (3).
- 1.3 – Enlever le bouchon-jauge (1), puis enlever le bouchon de vidange (3).
- 1.4 – Attendre que toute l'huile soit sortie, puis revisser le bouchon de vidange (3) avec le couple de torsion qui est indiqué sur le dessin éclaté.
- 1.5 – Remplir avec de l'huile neuve jusqu'à la ligne médiane du bouchon indicateur du niveau d'huile (2), et revisser le bouchon-jauge (1).

**Pour le type d'huile à utiliser, se référer à ce qui est indiqué sur la notice générale.**



**ATTENTION : L'huile usée doit être recueillie dans des récipients et éliminée dans les centres prévus à cet effet, conformément à la réglementation en vigueur. Il ne faut absolument pas la jeter dans l'environnement.**

## 1 - ÖLWECHSEL

- 1.1 – Beim Ölwechsel muss die Pumpe Betriebstemperatur aufweisen.
- 1.2 – Unter den Ölablassverschluss (3) einen Behälter stellen.
- 1.3 – Den Verschluss mit dem Stab (1) und danach den Ablassverschluss (3) abnehmen.
- 1.4 – Warten, bis das gesamte Öl abgelassen ist und den Ablassverschluss (3) mit dem auf der Übersichtszeichnung angegebenen Drehmoment wieder anschrauben.
- 1.5 – Mit frischem Öl füllen, bis die Mittellinie des Ölstandkontrollverschlusses (2) erreicht ist und den Verschluss mit dem Stab (1) wieder anschrauben.

**Bezüglich der verwendbaren Ölsorten siehe die Angaben im allgemeinen Handbuch.**



**ACHTUNG: Das Altöl muss in Behältern gesammelt und gemäß den geltenden Vorschriften bei den hierfür vorgesehenen Zentren entsorgt werden. Es darf keinesfalls umweltschädigend entsorgt werden.**

---

## 1 - CAMBIO DE ACEITE

- 1.1 – El cambio de aceite se efectúa con bomba a temperatura de trabajo.
- 1.2 – Colocar un recipiente debajo del tapón de descarga de aceite (3).
- 1.3 – Extraer el tapón con varilla (1) y seguidamente el tapón de descarga (3).
- 1.4 – Esperar hasta que haya salido todo el aceite, volver a enroscar el tapón de descarga (3) con el par de torsión indicado en el despiece.
- 1.5 – Llenar con aceite nuevo hasta alcanzar la línea media del tapón indicador de nivel de aceite (2) y volver a enroscar el tapón con varilla (1).

**Para el tipo de aceite que debe utilizarse, remitirse a las indicaciones del manual general.**



**ATENCIÓN: El aceite residual debe recogerse en recipientes y eliminarse en los centros pertinentes de acuerdo con la normativa vigente. En ningún caso debe dispersarse en el ambiente.**

---

## 1 - TROCA DE ÓLEO

- 1.1 – A troca de óleo deve ser feita com a bomba na temperatura de trabalho.
- 1.2 – Posicionar um recipiente embaixo da tampa de descarga de óleo (3).
- 1.3 – Remover a tampa com o pino (1) e, em seguida, a tampa de descarga (3).
- 1.4 – Esperar que todo o óleo saia, recolocar a tampa de descarga (3) com o binário de torção indicado no desenho explodido.
- 1.5 – Encher com o óleo novo até chegar na linha da tampa de controle do nível do óleo (2) e recolocar a tampa com o pino (1).

**Para o tipo de óleo a ser utilizado, consultar as indicações do livro genérico.**



**ATENÇÃO: O óleo consumido deve ser coletado em recipientes e eliminado nos locais adequados, de acordo com a normativa vigente. Não deve, de modo algum, ser jogado no ambiente.**

## **DICHIARAZIONE DI INCORPORAZIONE** **(Ai sensi dell'allegato II della Direttiva Europea 2006/42/CE).**

Il produttore **INTERPUMP GROUP S.p.A.** – Via E. Fermi, 25 – 42049 S.ILARIO D'ENZA (RE) - Italia  
**DICHIARA** sotto la propria esclusiva responsabilità che l'attrezzatura identificata e descritta come segue :

Denominazione: Pompa

Tipo: Pompa alternativa a pistoni per acqua ad alta pressione

Marchio di fabbrica: INTERPUMP GROUP

Modello: E3A1713 – E3A1515 – E3A2113 – E3A2115 - E3B1911 – E3B1713 – E3B1515 – E3B1218

E3B1021 – E3B2511 – E3B2513 – E3B2515 - E3B2118 E3B2121 – E3C1713 – E3C1515 - E3C1218

E3C1021 – E3C2513 – E3C2515 - E3C2518 – E3C2521 E3E2813 – E3E2815 - E3E2517 – E3E2520

Risulta essere conforme alle sotto elencate direttive e successivi aggiornamenti :

- Direttiva Macchine 2006/42/CE

- Direttiva sulla restrizione dell'uso di determinate sostanze pericolose nelle apparecchiature elettriche ed elettroniche 2011/65/UE - RoHS

L'attrezzatura non contiene sostanze con restrizioni d'uso in concentrazione maggiore di quelle elencate nell'allegato II ad eccezione delle applicazioni esentate dalle restrizioni elencate nell'allegato III.

Norme applicate : UNI EN ISO 12100:2010 - UNI EN 809:2000

La pompa sopra identificata rispetta i seguenti requisiti essenziali di sicurezza e di tutela della salute elencati nel punto 1 dell'allegato I della Direttiva Macchine :

1.1.2 - 1.1.3 - 1.1.5 - 1.3.1 - 1.3.2 - 1.3.3 - 1.3.4 - 1.5.4 - 1.5.5 - 1.6.1 - 1.7.1 - 1.7.2 - 1.7.4 - 1.7.4.1 - 1.7.4.2  
e la relativa documentazione tecnica è stata compilata in conformità dell'allegato VII B.

Inoltre il produttore si impegna a rendere disponibile, a seguito di una richiesta adeguatamente motivata, copia della documentazione tecnica pertinente la pompa nei modi e nei termini da definire.

La pompa non deve essere messa in servizio finché l'impianto al quale la pompa deve essere incorporata è stato dichiarato conforme alle disposizioni delle relative direttive e/o norme.

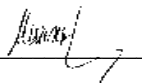
Persona autorizzata a costituire il fascicolo tecnico :           Nome: Maurizio Novelli

Indirizzo: INTERPUMP GROUP S.p.A. – Via E. Fermi, 25 – 42049 S. ILARIO D'ENZA (RE) – Italia

Persona autorizzata a redigere la dichiarazione :           L'amministratore delegato Ing. Paolo Marinsek

Reggio Emilia 03/2013

Firma \_\_\_\_\_





**DECLARATION OF INCORPORATION**  
**(In accordance with Annex II of European Directive 2006/42/CE).**

The manufacturer **INTERPUMP GROUP S.p.A.** – Via E. Fermi, 25 – 42049 S.ILARIO D'ENZA (RE) - Italy  
**DECLARES** under sole responsibility that the equipment identified and described as follows :

Name: Pump

Type: Reciprocating plunger pump for high pressure water

Trademark: INTERPUMP GROUP

Model: E3A1713 – E3A1515 – E3A2113 – E3A2115 - E3B1911 – E3B1713 – E3B1515 – E3B1218  
E3B1021 – E3B2511 – E3B2513 – E3B2515 - E3B2118 E3B2121 – E3C1713 – E3C1515 - E3C1218  
E3C1021 – E3C2513 – E3C2515 - E3C2518 – E3C2521 E3E2813 – E3E2815 - E3E2517 – E3E2520

Complies with the requirements of the directives listed below and subsequent updates :

- Machinery Directive 2006/42/CE
- Directive 2011/65/EU – RoHS on the restriction of the use of certain hazardous substances in electrical and electronic equipment.

The equipment does not contain more than the specified concentrations of restricted substances listed in Annex II except for the applications exempted from the restriction listed in Annex III.

Standards applied : UNI EN ISO 12100:2010 - UNI EN 809:2000

The pump identified above meets all the essential safety and health protection requirements as listed in section 1 of Annex I of the Machinery Directive :

1.1.2 - 1.1.3 - 1.1.5 - 1.3.1 - 1.3.2 - 1.3.3 - 1.3.4 - 1.5.4 - 1.5.5 - 1.6.1 - 1.7.1 - 1.7.2 - 1.7.4 - 1.7.4.1 - 1.7.4.2  
and the relevant technical documentation has been compiled in accordance with Annex VII B.

In addition, the manufacturer undertakes to make available, following a reasoned request, a copy of the relevant technical pump documentation in the manner and terms to be defined.

The pump should not be put into service until the plant to which the pump is to be incorporated has been declared in accordance with the provisions of the relevant directives and/or standards.

Person authorised to compile the technical file :

Name: Maurizio Novelli

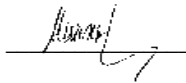
Address: INTERPUMP GROUP S.p.A. – Via E. Fermi, 25 – 42049 S. ILARIO D'ENZA (RE) – Italy

Person authorized to draw up the declaration :

CEO Mr. Paolo Marinsek

Reggio Emilia 03/2013

Signature



# DÉCLARATION D'INCORPORATION

(Conformément à l'annexe II de la Directive Européenne 2006/42/CE).

Le fabricant **INTERPUMP GROUP S.p.A.** – Via E. Fermi, 25 – 42049 S.ILARIO D'ENZA (RE) - Italie  
**DÉCLARE** sous sa seule responsabilité que l'équipement identifié et décrit comme suit :

Description: Pompe

Type: Pompe alternative à pistons pour eau à haute pression

Marque de fabrique: INTERPUMP GROUP

Modèle: E3A1713 – E3A1515 – E3A2113 – E3A2115 - E3B1911 – E3B1713 – E3B1515 – E3B1218  
E3B1021 – E3B2511 – E3B2513 – E3B2515 - E3B2118 E3B2121 – E3C1713 – E3C1515 - E3C1218  
E3C1021 – E3C2513 – E3C2515 - E3C2518 – E3C2521 E3E2813 – E3E2815 - E3E2517 – E3E2520

Est conforme aux spécifications des directives énumérées ci-dessous et mises à jour suivantes:

- Directive Machines 2006/42/CE

- Directive relative à la limitation de l'utilisation de certaines substances dangereuses dans les équipements électriques et électroniques 2011/65/UE – RoHS

L'équipement ne contient pas de substances assorties de restrictions concernant l'utilisation en concentration plus élevée que celles énumérées à l'annexe II, sauf pour des applications exemptées des restrictions énumérées à l'annexe III.

Normes appliquées : UNI EN ISO 12100:2010 - UNI EN 809:2000

La pompe identifiée ci-dessus répond aux exigences essentielles de sécurité et protection de la santé suivantes énumérées au point 1 de l'annexe I de la Directive Machines :

1.1.2 - 1.1.3 - 1.1.5 - 1.3.1 - 1.3.2 - 1.3.3 - 1.3.4 - 1.5.4 - 1.5.5 - 1.6.1 - 1.7.1 - 1.7.2 - 1.7.4 - 1.7.4.1 - 1.7.4.2  
et la documentation technique pertinente est constituée conformément à l'annexe VII B.

De plus, le fabricant s'engage à rendre disponible, suite à une demande adéquatement motivée, une copie de la documentation technique relative à la pompe dans les modes et les termes à définir.

La pompe ne doit pas être mise en marche tant que l'installation à laquelle la pompe doit être incorporée n'a pas été déclarée conforme aux dispositions des directives et / ou normes relatives.

Personne autorisée à réaliser le manuel technique :

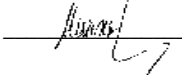
Nom : Maurizio Novelli

Adresse: INTERPUMP GROUP S.p.A. – Via E. Fermi, 25 – 42049 S. ILARIO D'ENZA (RE) – Italie

Personne autorisée à rédiger la déclaration :

L'administrateur délégué Ing. Paolo Marinsek

Reggio Emilia 03/2013

Signature 

# **EINBAUERKLÄRUNG**

**(gemäß Anhang II der Europäischen Richtlinie 2006/42/EG).**

Der Hersteller **INTERPUMP GROUP S.p.A.** – Via E. Fermi, 25 – 42049 S.ILARIO D'ENZA (RE) - Italien  
**ERKLÄRT** auf alleinige Verantwortung, dass das wie folgt bezeichnete und beschriebene Gerät :  
Bezeichnung: Pumpe

Typ: Kolbenpumpe für Hochdruck-Wasser

Herstellermarke: INTERPUMP GROUP

Modell: E3A1713 – E3A1515 – E3A2113 – E3A2115 – E3B1911 – E3B1713 – E3B1515 – E3B1218  
E3B1021 – E3B2511 – E3B2513 – E3B2515 - E3B2118 E3B2121 – E3C1713 – E3C1515 - E3C1218  
E3C1021 – E3C2513 – E3C2515 - E3C2518 – E3C2521 E3E2813 – E3E2815 - E3E2517 – E3E2520

mit den nachstehend aufgelisteten Richtlinien und ihren nachfolgenden Aktualisierungen konform ist :

- Maschinenrichtlinie 2006/42/EG
- Richtlinie zur Beschränkung der Verwendung bestimmter gefährlicher Stoffe in Elektro- und Elektronikgeräten 2011/65/EU – RoHS

Das Gerät enthält keine Stoffe, für die Beschränkungen bezüglich ihrer Verwendung in Konzentrationen bestehen, die über denen im Anhang II liegen, mit Ausnahme von Anwendungen, die von den im Anhang II aufgeführten Beschränkungen ausgenommen sind.

Angewandte Normen : UNI EN ISO 12100:2010 - UNI EN 809:2000

Die oben genannte Pumpe genügt den folgenden grundlegenden Sicherheits- und Gesundheitsschutzanforderungen, die unter Punkt 1 des Anhangs I der Maschinenrichtlinie aufgeführt sind.  
1.1.2 - 1.1.3 - 1.1.5 - 1.3.1 - 1.3.2 - 1.3.3 - 1.3.4 - 1.5.4 - 1.5.5 - 1.6.1 - 1.7.1 - 1.7.2 - 1.7.4 - 1.7.4.1 - 1.7.4.2  
Die speziellen technischen Unterlagen wurden gemäß Anhang VII Teil B erstellt.

Darüber hinaus verpflichtet sich der Hersteller einzelstaatlichen Stellen auf begründetes Verlangen die speziellen technischen Unterlagen zur Pumpe in festzulegenden Modalitäten und Fristen zu übermitteln.

Die Pumpe darf erst dann in Betrieb genommen werden, wenn gegebenenfalls festgestellt wurde, dass die Maschine, in die die Pumpe eingebaut werden soll, den Bestimmungen der entsprechenden Richtlinien und/oder Normen entspricht .

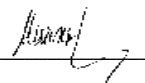
Person, die bevollmächtigt ist, die relevanten technischen Unterlagen zusammenzustellen: Maurizio Novelli

Adresse: INTERPUMP GROUP S.p.A. – Via E. Fermi, 25 – 42049 S. ILARIO D'ENZA (RE) – Italien

Person, die zur Ausstellung dieser Erklärung bevollmächtigt ist: Der Geschäftsführer Ing. Paolo Marinsek

Reggio Emilia 03/2013

Unterschrift



# DECLARACIÓN DE INCORPORACIÓN

(De acuerdo con el anexo II de la Directiva Europea 2006/42/CE).

El fabricante **INTERPUMP GROUP S.p.A.** – Via E. Fermi, 25 – 42049 S.ILARIO D'ENZA (RE) – Italia **DECLARA** bajo su propia y exclusiva responsabilidad al aparato identificado y descrito del siguiente modo :

Denominación: Bomba

Tipo: Bomba alternativa con pistones para agua de alta presión

Marca de fábrica: INTERPUMP GROUP

Modelo: E3A1713 – E3A1515 – E3A2113 – E3A2115 - E3B1911 – E3B1713 – E3B1515 – E3B1218

E3B1021 – E3B2511 – E3B2513 – E3B2515 - E3B2118 E3B2121 – E3C1713 – E3C1515 - E3C1218

E3C1021 – E3C2513 – E3C2515 - E3C2518 – E3C2521 E3E2813 – E3E2815 - E3E2517 – E3E2520

Resulta ser conforme con las directivas que se indican a continuación y con sus sucesivas actualizaciones:

- Directiva de Máquinas 2006/42/CE

- Directiva acerca de la restricción del uso de determinadas sustancias peligrosas en máquinas eléctricas y electrónicas 2011/65/UE – RoHS

El aparato no contiene sustancias con restricción de uso en concentración mayor de aquellas citadas en el anexo II, exceptuando las aplicaciones exentas de las restricciones citadas en el anexo III.

Normas aplicadas : UNI EN ISO 12100:2010 - UNI EN 809:2000

La bomba identificada anteriormente respeta los siguientes requisitos esenciales de seguridad y de protección de la salud citados en el punto 1 del anexo I de la Directiva de Máquina :

1.1.2 - 1.1.3 - 1.1.5 - 1.3.1 - 1.3.2 - 1.3.3 - 1.3.4 - 1.5.4 - 1.5.5 - 1.6.1 - 1.7.1 - 1.7.2 - 1.7.4 - 1.7.4.1 - 1.7.4.2 y la correspondiente documentación técnica ha sido compilada de acuerdo con el anexo VII B.

Además el fabricante se compromete en hacer disponible, después haberse llevado a cabo una solicitud adecuadamente motivada, una copia de la documentación técnica pertinente de la bomba en una modalidad y en un plazo aún por definir.

La bomba no debe ser puesta en funcionamiento, hasta que el sistema al cuál la bomba debe ser incorporada, haya sido declarado conforme a las disposiciones de las respectivas directivas y/o normativas.

Persona autorizada a realizar el fascículo técnico :

Nombre: Maurizio Novelli

Dirección: INTERPUMP GROUP S.p.A. – Via E. Fermi, 25 – 42049 S. ILARIO D'ENZA (RE) – Italia

Persona autorizada a redactar la declaración :

El administrador delegado Ing. Paolo Marinsek

Reggio Emilia 03/2013

Firma 

## **DECLARAÇÃO DE INCORPORAÇÃO** **(Nos termos do anexo II da Directiva Europeia 2006/42/CE).**

O fabricante **INTERPUMP GROUP S.p.A.** – Via E. Fermi, 25 – 42049 S.ILARIO D'ENZA (RE) - Itália  
**DECLARA** sob a sua exclusiva responsabilidade que os equipamentos identificados e descritos tal como se segue :

Denominação: Bomba

Tipo: Bomba alternativa com pistões para água a alta pressão

Marca de fábrica: INTERPUMP GROUP

Modelo: E3A1713 – E3A1515 – E3A2113 – E3A2115 - E3B1911 – E3B1713 – E3B1515 – E3B1218  
E3B1021 – E3B2511 – E3B2513 – E3B2515 - E3B2118 E3B2121 – E3C1713 – E3C1515 - E3C1218  
E3C1021 – E3C2513 – E3C2515 - E3C2518 – E3C2521 E3E2813 – E3E2815 - E3E2517 – E3E2520

Está em conformidade às directivas abaixo indicadas e posteriores actualizações :

- Directiva Máquinas 2006/42/CE

- Directiva sobre a restrição de uso de determinadas substâncias perigosas em aparelhos eléctricos e electrónicos 2011/65/UE – RoHS

O equipamento não contém substâncias com restrições de uso em concentração superior às indicadas no anexo II, à excepção das aplicações isentas das restrições indicadas no anexo III.

Normas aplicadas : UNI EN ISO 12100:2010 - UNI EN 809:2000

A bomba acima identificada respeita os seguintes requisitos essenciais de segurança e de tutela da saúde, referidos no ponto 1 do anexo I da Directiva Máquinas :

1.1.2 - 1.1.3 - 1.1.5 - 1.3.1 - 1.3.2 - 1.3.3 - 1.3.4 - 1.5.4 - 1.5.5 - 1.6.1 - 1.7.1 - 1.7.2 - 1.7.4 - 1.7.4.1 - 1.7.4.2  
e a respectiva documentação técnica foi compilada em conformidade com o anexo VII B.

Além disso, o fabricante compromete-se a disponibilizar, mediante pedido adequadamente motivado, uma cópia da documentação técnica referente à bomba, em modos e termos a definir.

A bomba não deve ser colocada em funcionamento até que o sistema no qual tem de ser incorporada seja declarado em conformidade com as disposições das respectivas directivas e/ou normas.

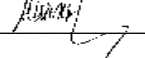
Pessoa autorizada a compilar a documentação técnica : Nome: Maurizio Novelli

Morada: INTERPUMP GROUP S.p.A. – Via E. Fermi, 25 – 42049 S. ILARIO D'ENZA (RE) – Itália

Pessoa autorizada a redigir a declaração :

O administrador delegado Eng.º Paolo Marinsek

Reggio Emilia 03/2013

Assinatura 





**COPYRIGHT** Il contenuto di questo libretto è di proprietà di INTERPUMP GROUP, ne è vietata la riproduzione e/o la divulgazione, anche parziale, a termini di legge.

**COPYRIGHT** The contents of this booklet are the property of INTERPUMP GROUP. Reproduction and divulgation, in whole or in part, are prohibited by law.

**COPYRIGHT** Le contenu de cette notice appartient à INTERPUMP GROUP : aux termes de la loi il est interdit de le reproduire et/ou de le divulguer, même partiellement.

**COPYRIGHT** Der Inhalt dieser Bedienungsanleitung ist Eigentum von INTERPUMP GROUP. Die auch nur teilweise Reproduktion und/oder Verbreitung ist gesetzlich verboten.

**COPYRIGHT** El contenido del presente manual es propiedad de INTERPUMP GROUP y está legalmente prohibida su reproducción y/o divulgación parcial o total.

**COPYRIGHT** O conteúdo deste livro é de propriedade da INTERPUMP GROUP, e é proibida a sua reprodução e/ou a sua divulgação, mesmo parcial, nos termos da lei.

---

**Le informazioni presenti su questo documento possono essere variate senza preavviso.**

**The information contained in this document may change without notice.**

**Les informations présentes sur ce document peuvent être changées sans besoin de préavis.**

**Die in diesem Dokument enthaltenen Informationen können ohne Vorankündigung geändert werden.**

**La información contenida en el presente documento puede modificarse sin previo aviso.**

**As informações contidas neste documento poderão ser sujeitas a alterações sem aviso prévio.**

---



**INTERPUMP  
GROUP**

**AZIENDA CON SISTEMA  
DI GESTIONE QUALITÀ  
CERTIFICATO DA DNV  
= ISO 9001 =**

VIA FERMI, 25 42049 S.ILARIO – REGGIO EMILIA (ITALY)  
TEL.+39 – 0522 - 904311 TELEFAX +39 – 0522 – 904444  
E-mail: [info@interpumpgroup.it](mailto:info@interpumpgroup.it) - <http://www.interpumpgroup.it>