

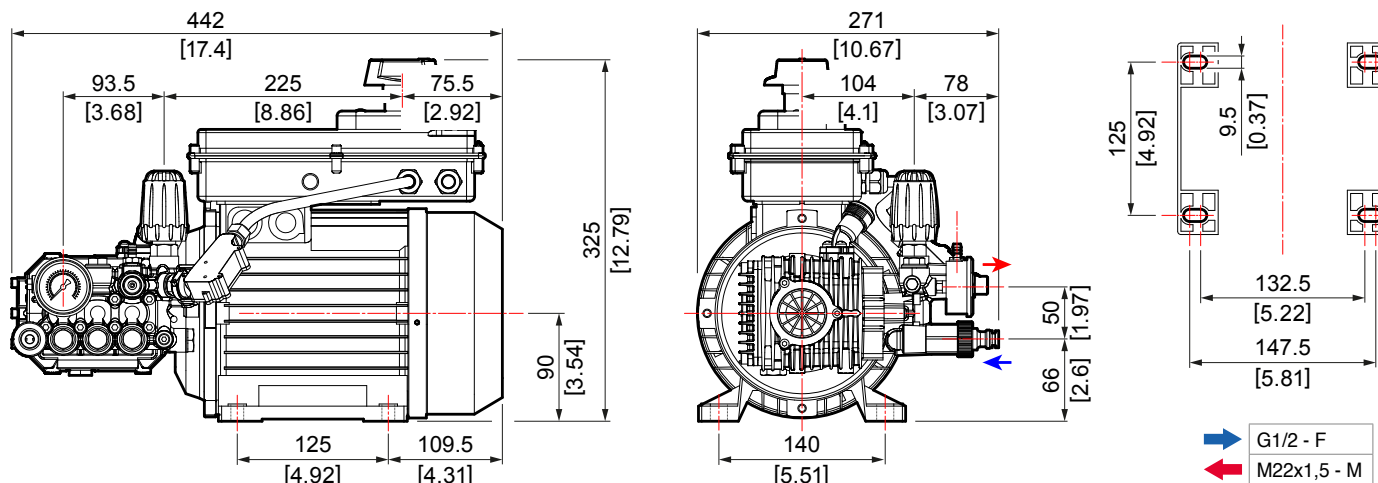


MTP LWR-K 250



| Code Codice Codigo | Model Modello Modelo | TSR | | | | | | | | | | | | | | |
|--------------------------|----------------------------|-----|------|-------|--------|-----|------|------|----|---------------|-----|-----|-----|-----|------|------|
| | | | rpm | l/min | US gpm | bar | psi | Mpa | Hz | V | HP | HP | kW | MEC | kg | lb |
| 7301 0870 | MTP LWR-K 11/110 | | 2800 | 11,0 | 2,9 | 110 | 1600 | 11,0 | 50 | 230 - 1 | 3,0 | 3,9 | 2,9 | 90 | 30,0 | 66,1 |
| 7301 0871 | MTP LWR-K 15/150 | | 2800 | 15,0 | 4,0 | 150 | 2175 | 15,0 | 50 | 230 / 400 - 3 | 5,5 | 6,7 | 5,0 | 90 | 30,0 | 66,1 |
| 7301 0872 | MTP LWR-K 11/110 | ✓ | 2800 | 11,0 | 2,9 | 110 | 1600 | 11,0 | 50 | 230 - 1 | 3,0 | 3,9 | 2,9 | 90 | 32,0 | 70,5 |
| 7301 0873 | MTP LWR-K 15/150 | ✓ | 2800 | 15,0 | 4,0 | 150 | 2175 | 15,0 | 50 | 400 - 3 | 5,5 | 6,7 | 5,0 | 90 | 32,0 | 70,5 |

MEC 90 - TSR VERSION



On request available 440V - 60Hz versions. / Disponibili su richiesta versioni a 440V - 60Hz. / Bajo pedido disponible en versiones 440V - 60Hz.

Contact us for NO-TSR version drawings. / I disegni per le versioni senza TSR sono disponibili su richiesta. / Contactar para los dibujos de las versiones sin TSR.