



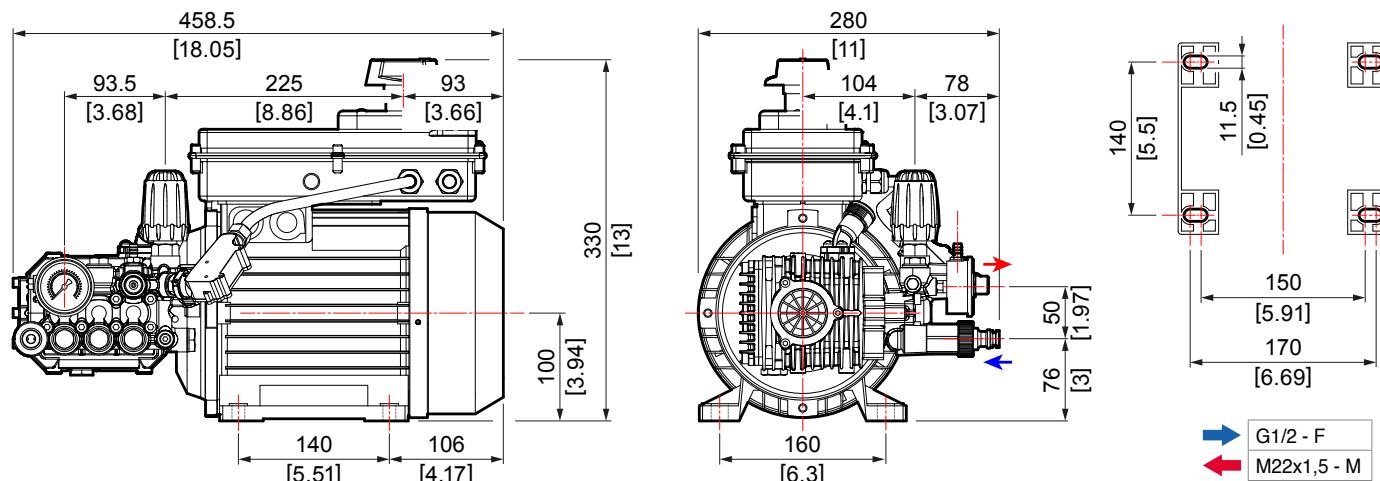
MTP LW-K 250



NEW TotalStop
TSR

| Code Codice Codigo | Model Modello Modelo | TSR | | | | | | | | | | | | | | |
|--------------------------|----------------------------|-----|------|-------|--------|-----|------|------|----|---------------|-----|-----|-----|-----|------|------|
| | | | rpm | l/min | US gpm | bar | psi | Mpa | Hz | V | HP | HP | kW | MEC | kg | lb |
| 7301 0860 | MTP LW-K 11/110 | | 1450 | 11,0 | 2,9 | 110 | 1600 | 11,0 | 50 | 230 - 1 | 3,0 | 3,9 | 2,9 | 100 | 32,0 | 70,5 |
| 7301 0861 | MTP LW-K 15/150 | | 1450 | 15,0 | 4,0 | 150 | 2175 | 15,0 | 50 | 230 / 400 - 3 | 5,5 | 6,7 | 5,0 | 100 | 32,0 | 70,5 |
| 7301 0754 | MTP LW-K 9/130 | ✓ | 1450 | 9,0 | 2,4 | 130 | 1900 | 13,0 | 50 | 230 - 1 | 3,0 | 3,9 | 2,9 | 100 | 35,0 | 77,1 |
| 7301 0756 | MTP LW-K 10/140 | ✓ | 1450 | 10,0 | 2,6 | 140 | 2030 | 14,0 | 50 | 230 - 1 | 3,5 | 4,4 | 3,3 | 100 | 35,0 | 77,1 |
| 7301 0755 | MTP LW-K 11/110 | ✓ | 1450 | 11,0 | 2,9 | 110 | 1600 | 11,0 | 50 | 230 - 1 | 3,0 | 3,9 | 2,9 | 100 | 35,0 | 77,1 |
| 7301 0783 | MTP LW-K 12/100 | ✓ | 1450 | 12,0 | 3,1 | 100 | 1450 | 10,0 | 50 | 230 - 1 | 3,0 | 3,9 | 2,9 | 100 | 35,0 | 77,1 |
| 7301 0759 | MTP LW-K 11/190 | ✓ | 1450 | 11,0 | 2,9 | 190 | 2750 | 19,0 | 50 | 400 - 3 | 5,5 | 6,7 | 5,0 | 100 | 35,0 | 77,1 |
| 7301 0757 | MTP LW-K 13/170 | ✓ | 1450 | 13,0 | 3,4 | 170 | 2465 | 17,0 | 50 | 400 - 3 | 5,5 | 6,7 | 5,0 | 100 | 35,0 | 77,1 |
| 7301 0758 | MTP LW-K 15/150 | ✓ | 1450 | 15,0 | 4,0 | 150 | 2175 | 15,0 | 50 | 400 - 3 | 5,5 | 6,7 | 5,0 | 100 | 35,0 | 77,1 |

MEC 100 - TSR VERSION



On request available 440V - 60Hz versions. / Disponibili su richiesta versioni a 440V - 60Hz. / Bajo pedido disponible en versiones 440V - 60Hz.

Contact us for NO-TSR version drawings. / I disegni per le versioni senza TSR sono disponibili su richiesta. / Contactar para los dibujos de las versiones sin TSR.