



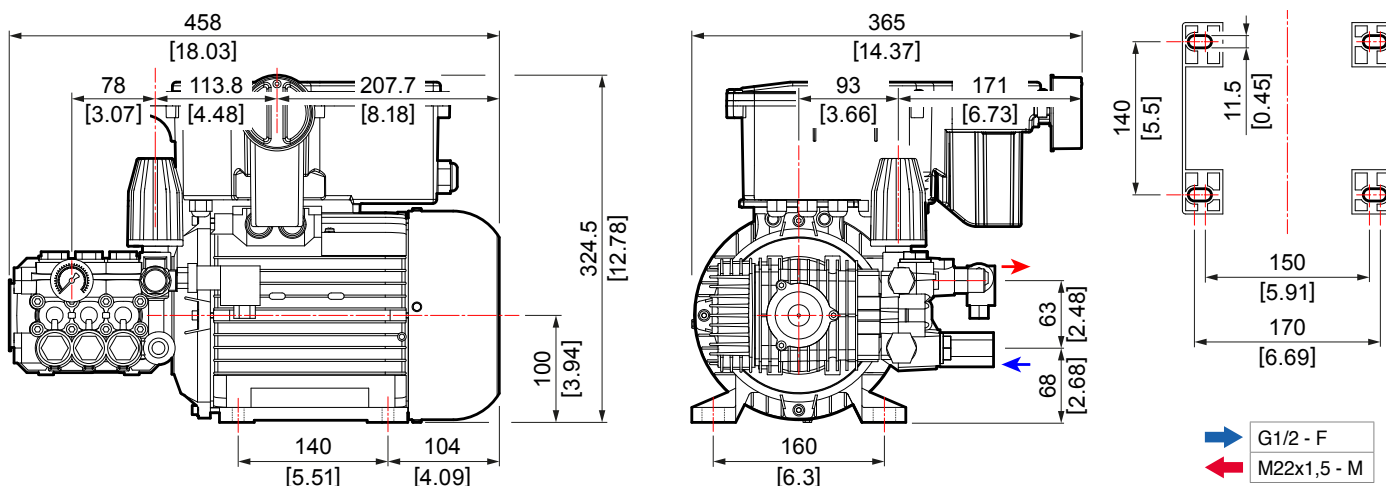
MTP ZW-K



**TotalStop
TSR**

| Code Codice Codigo | Model Modello Modelo | TSR | | | | | | | | | | | | | | |
|--------------------------|----------------------------|-----|------|-------|--------|-----|------|------|----|---------|-----|-----|-----|-----|------|------|
| | | | rpm | l/min | US gpm | bar | psi | Mpa | Hz | V | HP | HP | kW | Mec | kg | lb |
| 7301 0538 | MTP ZW-K 11/120 | ✓ | 1450 | 11,0 | 2,9 | 120 | 1740 | 12,0 | 50 | 230 - 1 | 3,0 | 3,9 | 2,9 | 100 | 32,5 | 71,5 |
| 7301 0537 | MTP ZW-K 13/180 | ✓ | 1450 | 13,0 | 3,4 | 180 | 2610 | 18,0 | 50 | 400 - 3 | 5,5 | 6,7 | 5,0 | 100 | 32,5 | 71,5 |
| 7301 0536 | MTP ZW-K 15/160 | ✓ | 1450 | 15,0 | 4,0 | 160 | 2320 | 16,0 | 50 | 400 - 3 | 5,5 | 6,7 | 5,0 | 100 | 32,5 | 71,5 |

MEC 100 - TSR VERSION



On request available 440V - 60Hz versions. / Disponibili su richiesta versioni a 440V - 60Hz. / Bajo pedido disponible en versiones 440V - 60Hz.