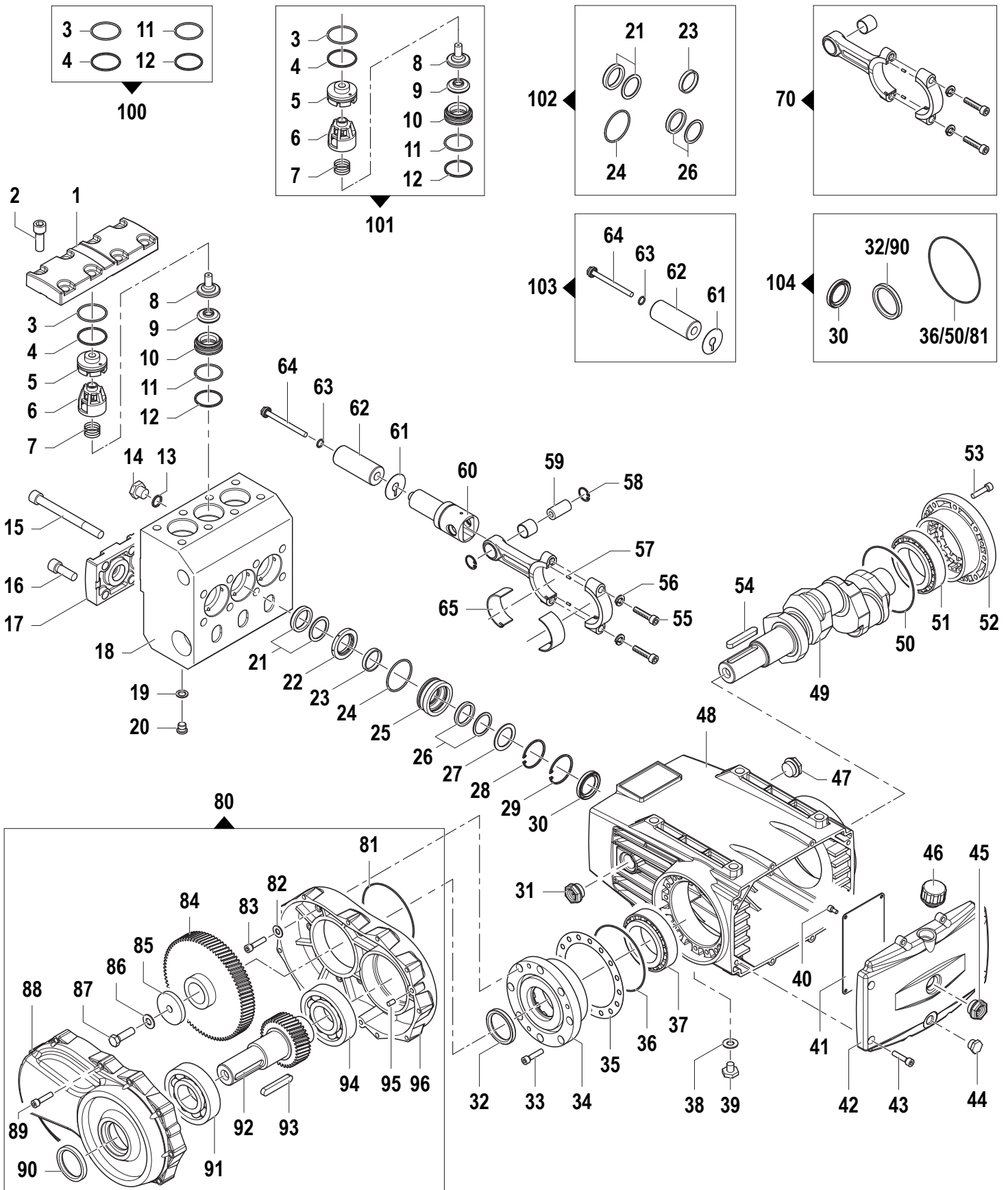


# EF - EFR Series

Pompe Alta Pressione - High Pressure Pumps

111/210 - 123/150 - 127/180  
 139/150 - 154/150 - 165/120  
 183/120 - 88/250

**800 - 900 - 1000RPM**  
**1500 - 1800 - 2200**



REVISIONE Nr.  
 REVISION Nr.

01

DATA EMISSIONE  
 PRINTING DATE

MAGGIO / MAY 2017

**COMET**  
 INDUSTRIAL PUMPS DIVISION

**HPP**  
 Brand of COMET

1



# EF - EFR Series

Pompe Alta Pressione - High Pressure Pumps

**111/210 - 123/150 - 127/180**  
**139/150 - 154/150 - 165/120**  
**183/120 - 88/250**

**800 - 900 - 1000RPM**  
**1500 - 1800 - 2200**

N°	Cod.	Descrizione	Description	Note	Q.ty	Model
88	0402 0509	Coperchio Riduttore	Gearbox Cover		1	
89	3609 0287	Vite	Screw	M8x45	11	
90	0019 0187	Anello Tenuta	Packing	Ø50x65x8	1	
91	0438 0133	Cuscinetto	Bearing	Ø50x110x27	1	
92	2402 0182	Pignone	Pinion Gear		1	111/210 1500RPM 127/180 1500RPM 154/150 1500RPM 183/120 1500RPM 88/250 1500RPM
	2402 0183	Pignone	Pinion Gear		1	123/150 1500RPM 111/210 1800RPM 127/180 1800RPM 154/150 1800RPM 183/120 1800RPM 88/250 1800RPM
	2402 0184	Pignone	Pinion Gear		1	111/210 2200RPM 123/150 1800RPM 127/180 2200RPM 154/150 2200RPM 183/120 2200RPM 88/250 2200RPM
93	1602 0074	Linguetta	Key	12x8x70	1	
94	0438 0133	Cuscinetto	Bearing	Ø50x110x27	2	
95	3018 0019	Spina	Pin	Ø8x14 H8	2	
96	3001 0555	Carter Riduttore	Gear Box Crankcase		1	

## Kit Manutenzione

Maintenance Kit

**NB: Quantità necessaria per riparare una pompa**

**NB: Necessary quantity to repair one pump** 🗣️

100	5019 0260	Kit Guarniz. Acqua Valvole	Valve Water Seal Kit		3	
101	5025 0064	Kit Valvole	Valve Kit		3	
102	5019 0261	Kit Guarnizioni Acqua	Water Seal Kit	Ø36	3	183/120 - 165/120
	5019 0262	Kit Guarnizioni Acqua	Water Seal Kit	Ø33	3	154/150 - 123/150 139/150
	5019 0263	Kit Guarnizioni Acqua	Water Seal Kit	Ø28	3	111/210
	5019 0264	Kit Guarnizioni Acqua	Water Seal Kit	Ø25	3	88/250
	5019 0265	Kit Guarnizioni Acqua	Water Seal Kit	Ø30	3	127/180
103	2409 0277	Kit Pistone	Piston Kits	Ø36	3	183/120 - 165/120
	2409 0278	Kit Pistone	Piston Kits	Ø33	3	154/150 - 123/150 139/150
	2409 0279	Kit Pistone	Piston Kits	Ø28	3	111/210
	2409 0280	Kit Pistone	Piston Kits	Ø25	3	88/250
	2409 0281	Kit Pistone	Piston Kits	Ø30	3	127/180
104	5019 0266	Kit Guarnizioni Olio	Oil Seal Kit		1	Riduttore - Gear Box
	5019 0292	Kit Guarnizioni Olio	Oil Seal Kit		1	Senza Riduttore - No Gear Box