

# COMET**NEWS**

## CXD SERIES



HIGH PRESSURE AXIAL PUMPS



### Robust, Simple and Reliable: Three features, One pump



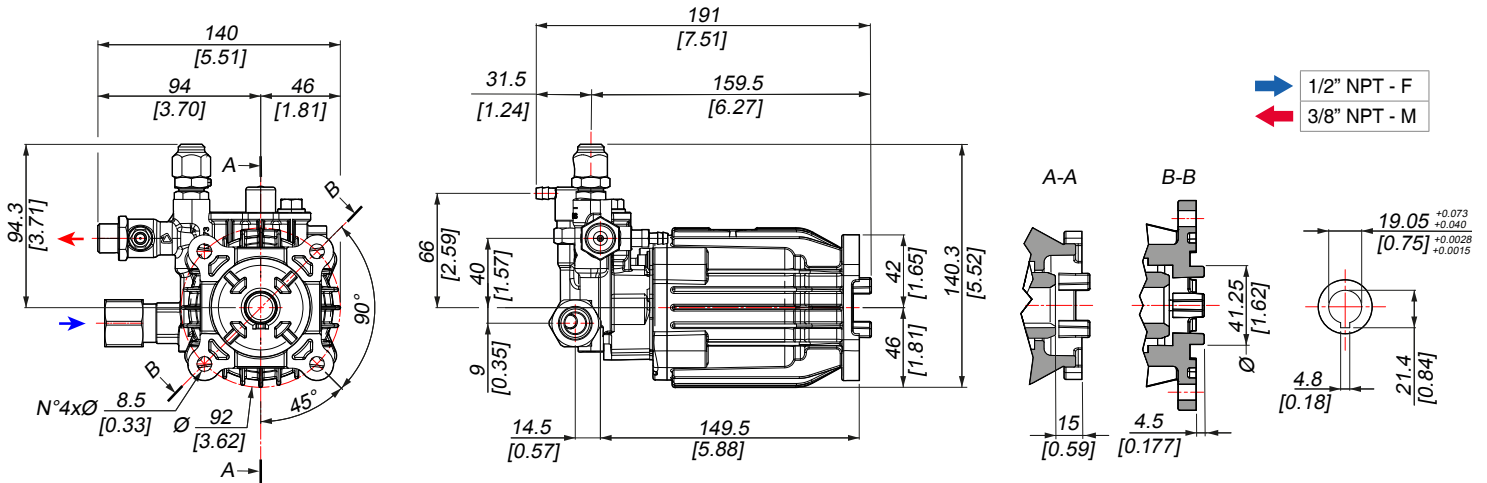
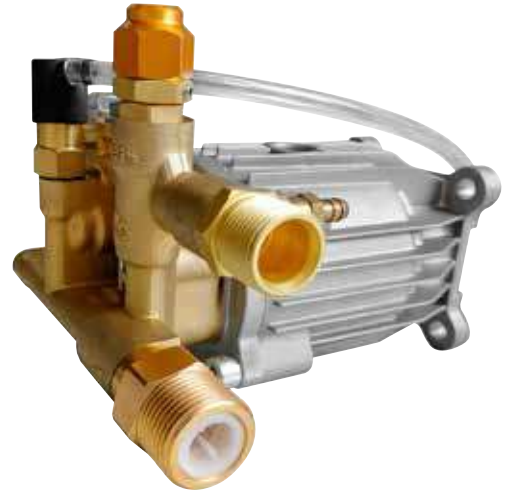
**G** | Ø 3/4"

# TECHNICAL DATA



## GENERAL FEATURES

- Brass Head (aluminium head at 2300psi)
- Built-in Uniflow Unloader and chemical injector
- High efficiency suction-delivery valves
- Stainless steel check valves (brass manifold models)
- Double-Sealing piston packing
- Stainless steel plungers
- Aluminium crankcase without need of oil replacement or vent cap
- Pivot for motor flange
- 3/4" HOLLOW SHAFT with flange for coupling to petrol engines



Model	Version	Head						
			rpm	l/min	US gpm	bar	psi	HP
<b>CXD 2223</b>	<b>G</b>	Aluminum	3400	8,3	2,2	159	2300	3,8
<b>CXD 2227</b>	<b>G</b>	Aluminum	3400	8,3	2,2	185	2700	4,4
<b>CXD 2225</b>	<b>G</b>	Brass	3400	8,3	2,2	172	2500	4,1
<b>CXD 2526</b>	<b>G</b>	Brass	3400	9,1	2,4	179	2600	4,7
<b>CXD 2530</b>	<b>G</b>	Brass	3400	9,1	2,4	207	3000	5,5

COMPANY WITH  
QUALITY SYSTEM  
CERTIFIED BY DNV G  
= ISO 9001 =



Scan and get more info



ITALIAN EXCELLENCE