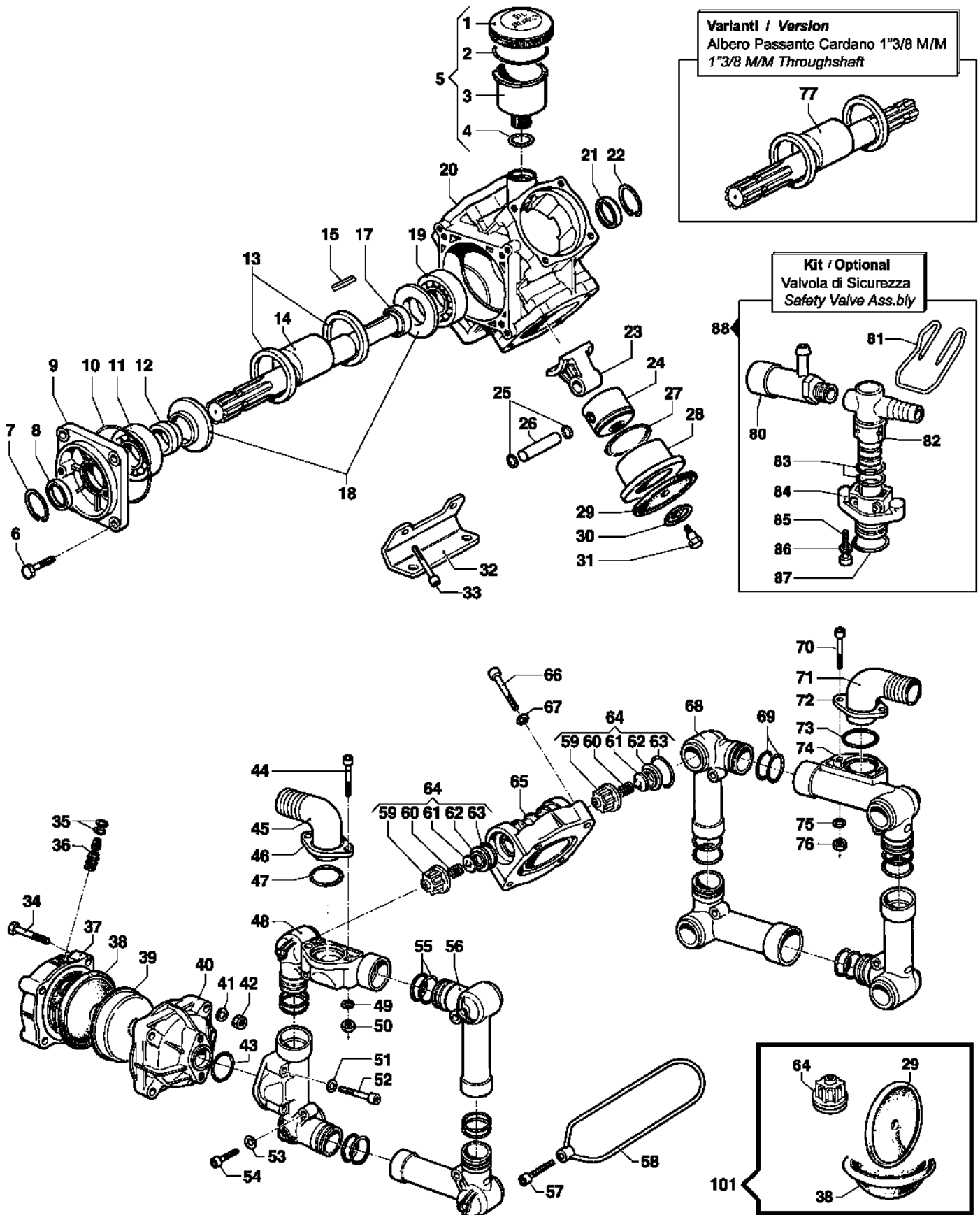


BP K Series

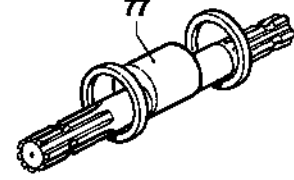
Pompe a Membrana - Diaphragm Pumps

BP 151 K - BP 171 K

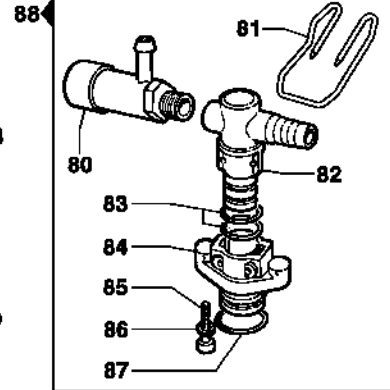
550 RPM



Varianti / Version
 Albero Passante Cardano 1"3/8 M/M
 1"3/8 M/M Throughshaft



Kit / Optional
 Valvola di Sicurezza
 Safety Valve Ass.bly



Pompa Base
 Standard Pump

Albero Passante 1"3/8-Ø30 Cil.
 1"3/8-Ø30 Cyl. Throughshaft

BP 151 K - BP 171 K

550 RPM

| N° | Cod. | Descrizione | Description | Note | Qty | Model |
|----|-----------|-----------------------------|--------------------------|--|----------|--------|
| 1 | 0402 0143 | Coperchio Compens. Volum. | Volum. Compensator Cover | | 1 | |
| 2 | 1210 0373 | Guarnizione OR | O-Ring | Ø3,53x73,03 | 1 | |
| 3 | 0421 0012 | Compens. Volumetrico | Volum. Compensator | | 1 | |
| 4 | 1210 0002 | Guarnizione OR | O-Ring | Ø2,62x20,7 | 1 | |
| 5 | 1208 0015 | Gruppo Compens. Volum. | Volumetric Compensator | | 1 | |
| 6 | 3607 0220 | Vite Testa Esagonale | Hexagonal Screw | M10x30 | 4 | |
| 7 | 3020 0009 | Seeger Interno | Inner Seeger | Ø47 | 1 | |
| 8 | 0019 0083 | Anello Tenuta | Oil Seal | Ø35x47x7 | 1 | |
| 9 | 0405 0067 | Coperchio Supp. porta Cusc. | Support Cover | | 1 | |
| 10 | 1210 0345 | Guarnizione OR | O-Ring | Ø1,78x101,32 | 1 | |
| 11 | 0438 0094 | Cuscinetto a Sfere | Ball Bearing | Ø35x80x21 | 1 | |
| 12 | 0601 0132 | Distanziale | Spacer | Ø35xØ48x18 | 1 | |
| 13 | 0010 0020 | Anello Tenuta Biella | Connecting Rod Ring | Ø80x68 | 2 | |
| 14 | 0001 0402 | Albero Passante | Throughshaft | 1"3/8-Ø30 Cil. | 1 | |
| 15 | 1602 0018 | Linguetta | Key | 8x7x40 | 1 | |
| 17 | 0601 0134 | Distanziale | Spacer | Ø35xØ44x10 | 1 | |
| 18 | 2813 0036 | Rondella Tenuta Biella | Connecting Rod Washer | | 2 | |
| 19 | 0438 0094 | Cuscinetto a Sfere | Ball Bearing | Ø35x80x21 | 1 | |
| 20 | 0403 0118 | Carter Pompa | Pump Crankcase | | 1 | |
| 21 | 0019 0083 | Anello Tenuta | Oil Seal | Ø35x47x7 | 1 | |
| 22 | 3020 0009 | Seeger Interno | Inner Seeger | Ø47 | 1 | |
| 23 | 0205 0038 | Kit Biella 4SET | Connecting Rod Ass.y | | 1 | |
| 24 | 2409 0081 | Pistone | Piston | Ø75 | 4 | BP171K |
| | 2409 0096 | Pistone | Piston | Ø70 | 4 | BP151K |
| 25 | 3020 0001 | Seeger Interno | Inner Seeger | Ø15 | 8 | |
| 26 | 3011 0001 | Spinotto | Gudgeon Pin | Ø15x53 | 4 | |
| 27 | 0020 0009 | Anello Compressione | Compression Ring | Ø75 | 4 | BP171K |
| | 0020 0001 | Anello Compressione | Compression Ring | Ø70 | 4 | BP151K |
| 28 | 0400 0077 | Camicia | Piston Sleeve | Ø75 | 4 | BP171K |
| | 0400 0088 | Camicia | Piston Sleeve | Ø70 | 4 | BP151K |
| 29 | 1800 0002 | Membrana Pompa | Diaphragm | Gomma Nitrilica Buna Rubber | 4 | |
| | 1800 0178 | Membrana Pompa | Diaphragm | Desmopan ® | 4 | |
| | 1800 0032 | Membrana Pompa | Diaphragm | Viton ® | 4 | |
| 30 | 0602 0045 | Disco Tenuta Membrana | Disc | | 4 | |
| 31 | 3605 0005 | Vite Speciale Tenuta Membr. | Diaphragm Holder Screw | M12x1,5 | 4 | |
| 32 | 2400 0064 | Piede Sostegno Pompa | Pump Mounting Bracket | | 2 | |
| 33 | 3609 0192 | Vite | Screw | M10x50 | 4 | |
| 34 | 3607 0223 | Vite Testa Esagonale | Hexagonal Screw | M10x65 | 4 | |
| 35 | 1209 0033 | Guarnizione | Gasket | Ø14x7,5x2 | 2 | |
| 36 | 3610 0003 | Valvola Aria | Air Valve | | 1 | |
| 37 | 0003 0030 | Accumulat. Press. Sup. | Pressure Accumulator | Aranzone / Orange | 1 | BP171K |
| | 0003 0015 | Accumulat. Press. Sup. | Pressure Accumulator | | 1 | BP151K |
| 38 | 1800 0034 | Membrana Accumulat. | Diaphragm | | 1 | |
| 39 | 0460 0036 | Calotta Sostegno Membr. | Diaphragm Support Cap | | 1 | |
| 40 | 0002 0024 | Accumulat. Press. Infer. | Pressure Accumulator | | 1 | |
| 41 | 2811 0098 | Rondella | Washer | Ø10,5x18x2 | 4 | |
| 42 | 0604 0105 | Dado | Nut | M10 | 4 | |
| 43 | 1210 0185 | Guarnizione OR | O-Ring | Ø4,0x38 | 1 | |
| 44 | 3609 0156 | Vite | Screw | M8x55 | 2 | |
| 45 | 2801 0032 | Raccordo p.g. Curvo | Elbow Coupling | Ø25 | 1 | |
| 46 | 2404 0108 | Piastra Fiss. Raccordo | Hose Tail Fixing Plate | | 1 | |
| 47 | 1210 0180 | Guarnizione OR | O-Ring | Ø3x29 | 1 | |
| 48 | 3214 0039 | Tubo Mandata | Delivery Hose | | 2 | |
| 49 | 2811 0099 | Rondella | Washer | Ø8,4x15x1,6 | 4 | |

| N° | Cod. | Descrizione | Description | Note | Qty | Model |
|----|-----------|---------------------------|----------------------------|-------------|-----|-------|
| 50 | 0604 0107 | Dado | Nut | M8 | 2 | |
| 51 | 2811 0099 | Rondella | Washer | Ø8,4x15x1,6 | 1 | |
| 52 | 3609 0156 | Vite | Screw | M8x55 | 2 | |
| 53 | 2811 0099 | Rondella | Washer | Ø8,4x15x1,6 | 4 | |
| 54 | 3609 0162 | Vite | Screw | M8x40 | 4 | |
| 55 | 1210 0011 | Guarnizione OR | O-Ring | Ø3,0x36 | 8 | |
| 56 | 3214 0038 | Tubo Mandata | Delivery Hose | | 2 | |
| 57 | 3609 0163 | Vite | Screw | M10x40 | 4 | |
| 58 | 0418 0040 | Cavallotto | U-Bolt | | 4 | |
| 59 | 1205 0034 | Gabbia Valv. Aspir./Mand. | Suct./Deliv. Valve Cage | | 8 | |
| 60 | 1802 0255 | Molla | Spring | | 8 | |
| 61 | 3604 0009 | Valvola Aspir./Mandata | Suction/Delivery Valve | | 8 | |
| 62 | 3009 0022 | Sede Valvola Asp./Mand. | Suct./Deliv. Valve Seat | | 8 | |
| 63 | 1210 0419 | Guarnizione OR | O-Ring | Ø6x37x49 | 8 | |
| 64 | 1220 0046 | Gruppo Valv. Asp./Mand. | Suct./Del. Valve Ass.y kit | | 8 | |
| 65 | 3218 0123 | Testata Pompa | Pump Manifold | | 4 | |
| 66 | 3609 0192 | Vite | Screw | M10x50 | 12 | |
| 67 | 2811 0098 | Rondella | Washer | Ø10,5x18x2 | 12 | |
| 68 | 3214 0038 | Tubo Mandata | Delivery Hose | | 3 | |
| 69 | 1210 0011 | Guarnizione OR | O-Ring | Ø3,0x36 | 8 | |
| 70 | 3609 0140 | Vite | Screw | M8x55 INOX | 2 | |
| 71 | 2801 0055 | Raccordo p.g. Curvo | Elbow Coupling | Ø40 | 1 | |
| 72 | 2404 0108 | Piastra Fiss. Raccordo | Hose Tail Fixing Plate | | 1 | |
| 73 | 1210 0180 | Guarnizione OR | O-Ring | Ø3x29 | 1 | |
| 74 | 3214 0039 | Tubo Mandata | Delivery Hose | | 1 | |
| 75 | 2811 0099 | Rondella | Washer | Ø8,4x15x1,6 | 4 | |
| 76 | 0604 0107 | Dado | Nut | M8 | 2 | |

Varianti

Version

| | | | | | | |
|----|-----------|-----------------|--------------|-------------------|---|--|
| 77 | 0001 0412 | Albero Passante | Throughshaft | 1"3/8 M - 1"3/8 M | 1 | |
|----|-----------|-----------------|--------------|-------------------|---|--|

Kit

Optional

| | | | | | | |
|----|-----------|--------------------------|-----------------------|---------------|---|--|
| 80 | 1219 0043 | Valvola di Sicurezza | Safety Valve | 20Bar100-200L | 1 | |
| 81 | 1202 0060 | Gancio Fiss. Mandata | Delivery Hook | | 1 | |
| 82 | 2803 0356 | Raccordo porta Valvola | Safety Valve Coupling | Ø25 - G1/2" | 1 | |
| 83 | 1210 0002 | Guarnizione OR | O-Ring | Ø2,62X 20,7 | 2 | |
| 84 | 2803 0334 | Raccordo Speciale | Special Coupling | | 1 | |
| 85 | 3609 0159 | Vite | Screw | M8x50 | 2 | |
| 86 | 2811 0099 | Rondella | Washer | Ø8,4x15x1,6 | 2 | |
| 87 | 1210 0180 | Guarnizione OR | O-Ring | Ø3,0x29 | 1 | |
| 88 | 2803 0364 | Kit Valvola di Sicurezza | Safety Valve Kit | 20Bar100-200L | 1 | |

Kit Manutenzione

Maintenance Kit

| | | | | | | |
|-----|-----------|--------------------------|--------------------------|--|---|--|
| 101 | 5026 0145 | Kit Ricambi Manutenzione | Ordinary Maintenance Kit | | 1 | |
|-----|-----------|--------------------------|--------------------------|--|---|--|