

PAEQUIPAGGIAMENTI
TECNICI
LAVAGGIOTESTINA SABBIANTE RICOP. PLASTICA
PLASTIC COVERED SANDBLASTING HEAD**TS3**

①

GB

4

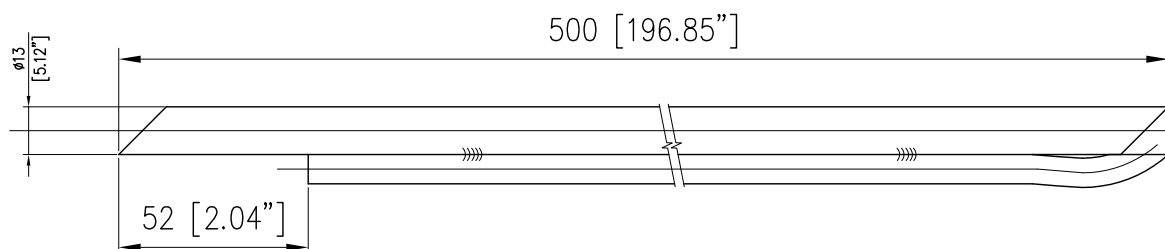
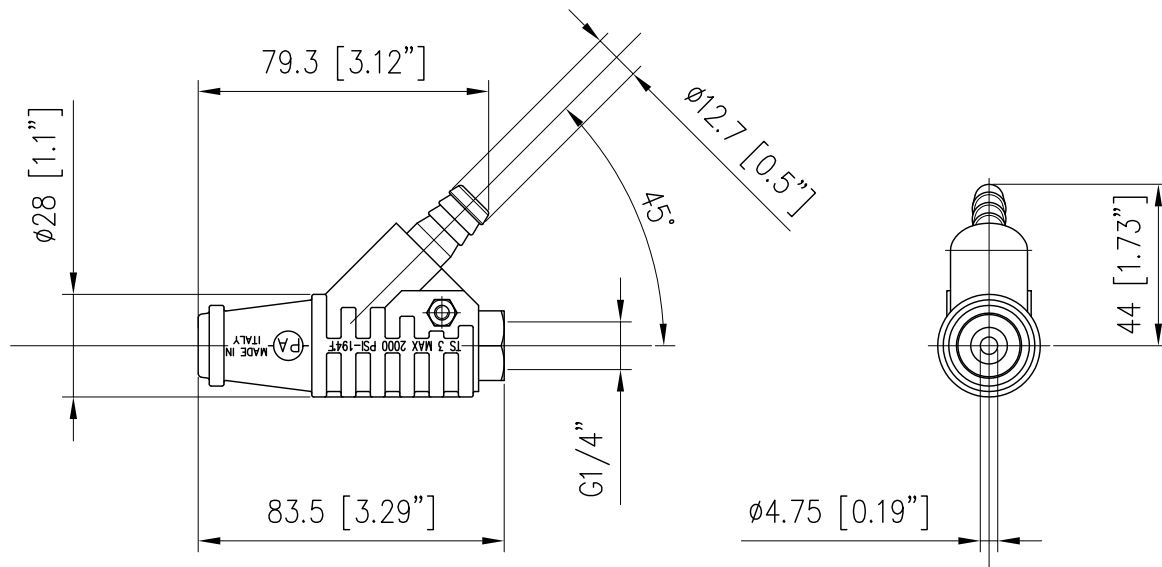
23/09/05

SPECIFICHE TECNICHE
SPECIFICATIONS

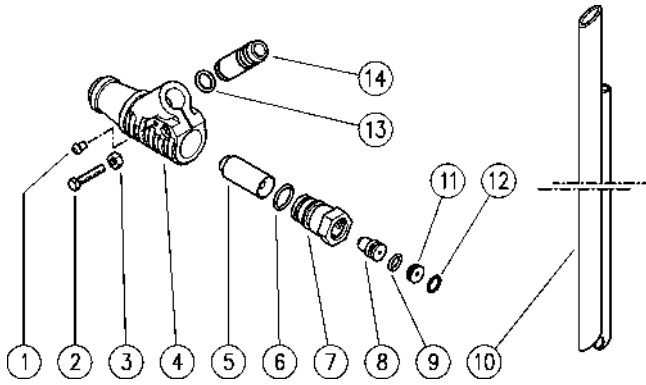
- PRESSIONE NOMINALE RATED PRESSURE	120 bar – 12 MPa (1750 psi)
- PRESSIONE CONSENTITA PERMISSIBLE PRESSURE	140 bar – 14 MPa (2000 psi)
- PORTATA MASSIMA MAX FLOW RATE	20 l/min (5.3 USG p.m.)
- TEMPERATURA MASSIMA MAX WORKING TEMPERATURE	90° C (195 °F)
- MATERIALI MATERIALS	CORPO IN MATERIALE PLASTICO CON CONVOGLIATORE INTERNO IN ACCIAIO TEMPRATO AD ALTA RESISTENZA E SONDA IN ACCIAIO VERNICIATO. MATERIALS: PLASTIC BODY WITH HIGHLY RESISTANT INNER CONVEYOR IN TEMPERED STEEL AND PAINTED STEEL SENSOR.

MISURE D'INGOMBRO
OVERALL DIMENSIONS

CODICE CODE	FATTORE DI PORTATA FLOW FACTOR
25.0080.12	F.P. 03
25.0080.14	F.P. 04



25.0080.12 TS3-03 Test. sabbiente, plast.-acc.tratt.zinc.

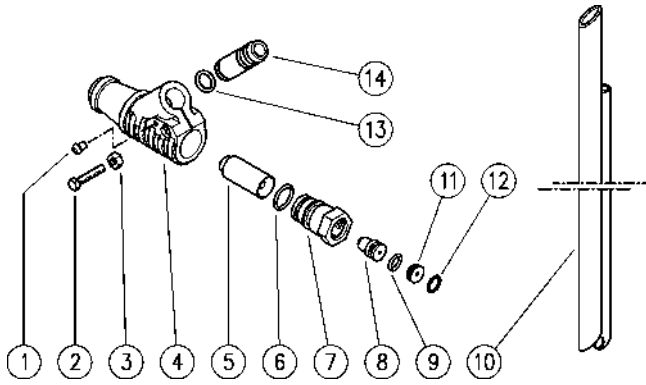


25.0080.14 TS3-04 Test. sabbiente, plast.

Pos.	Codice	Descrizione	Q.tà	K1	K2	K3	K4	
1	15.2000.30	Chiodo 03 bianco	1					10
1	15.2000.40	Chiodo 04 giallo scuro	1					10
2	16.1843.00	Vite DIN7985 M4x20 mm zinc.	1					10
3	11.4513.05	Dado es. M4	1					10
4	25.0081.84	Guscio TS3	1					1
5	25.0083.61	Ug. convogliat. 4,75 mm	1	•				5
6	10.3060.00	An.OR 1,78x12,42 mm	1	•				10
7	25.0082.31	Portaugello TS3	1					3
8	25.0007.51	Ugello 03 d.10,5x15 mm inox	1					5
8	25.0008.51	Ugello 04 d.10,5x15 mm inox	1					5
9	10.3052.00	An.OR 1,78x6,75 mm	1	•				25
10	25.0013.21	Sonda per sabbia +ptgm.13 mm	1					5
11	25.0085.31	Inserto ugello	1	•				5
12	10.3003.00	An.OR 1x8 mm	1	•				10
13	10.3057.00	An.OR 1,78x9,25 mm	1	•				10
14	25.0084.31	Racc. ptgm.13mm TS3	1					1

Kit	Codice	Descrizione	
K1	25.0090.24	Kit ric. TS3 Testina sabb.pz.6x1	1

25.0080.12 TS3-03 Sandblaster, plast.-zin.hard.steel



25.0080.14 TS3-04 Sandblaster- plast.

Pos.	P/N	Description	Q.ty	K1	K2	K3	K4	
1	15.2000.30	Stud, 03 white	1					10
1	15.2000.40	Stud, 04 dark yellow	1					10
2	16.1843.00	Screw, DIN7985 M4x20 mm z.pl.	1					10
3	11.4513.05	Hex. nut M4	1					10
4	25.0081.84	Casing -TS3	1					1
5	25.0083.61	Conveyor nozzle, 4,75 mm	1	•				5
6	10.3060.00	O-ring, 1,78x12,42 mm	1	•				10
7	25.0082.31	Nozzle holder -TS3	1					3
8	25.0007.51	Nozzle, 03 d.10,5x15 mm Sst.	1					5
8	25.0008.51	Nozzle, 04 d.10,5x15 mm Sst.	1					5
9	10.3052.00	O-ring, 1,78x6,75 mm	1	•				25
10	25.0013.21	Sand probe +13mm hose barb	1					5
11	25.0085.31	Nozzle insert	1	•				5
12	10.3003.00	O-ring, 1x8 mm	1	•				10
13	10.3057.00	O-ring, 1,78x9,25 mm	1	•				10
14	25.0084.31	13 mm hose barb -TS3	1					1

Kit	P/N	Description	
K1	25.0090.24	Spares kit -TS3 Sandblaster	1



P.A. S.p.A.
Via Milano, 13
42048 Rubiera, Reggio Emilia - Italy
Tel +39.0522.623611
Fax +39.0522.629600
info@pa-etl.it

www.pa-etl.it



COMPANY WITH QUALITY MANAGEMENT
SYSTEM CERTIFIED BY DNV
= ISO 9001 =