



**EQUIPAGGIAMENTI
TECNICI
LAVAGGIO**

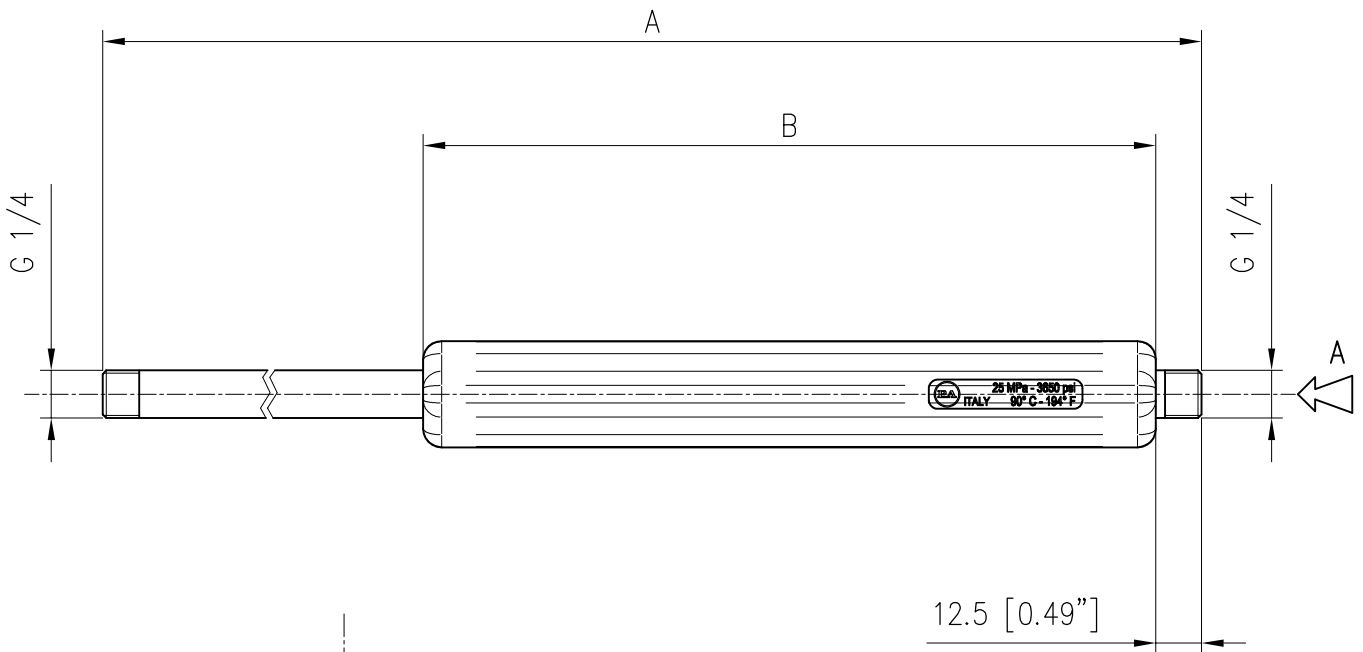
**LANCIA-IMPUGNATURA FUSA-TUBO ACCIAIO INOX
LANCE-MOULDED GRIP-STAINLESS STEEL TUBE
AL-F**

①	
Ⓜ	3
	18/12/15

CARATTERISTICHE TECNICHE - SPECIFICATIONS

- PRESSIONE CONSENTITA PERMISSIBLE PRESSURE	250 bar - 25 MPa (3650 psi)
- TEMPERATURA MASSIMA MAX WORKING TEMPERATURE	90° C (194°F)

MISURE D'INGOMBRO - OVERALL DIMENSIONS



VISTA DA: A
A VIEW FROM
SC.: 1:1

CODICE CODE	LUNG. "A" LENGTH "A"	LUNG. "B" LENGTH "B"	COLORE COLOR
40.3504.22	500 [19.7"]	200 [7.9"]	BLUE
40.3502.22	500 [19.7"]	200 [7.9"]	RED
40.3500.22	500 [19.7"]	200 [7.9"]	GRAY
40.3904.22	1000 [39.4"]	300 [11.8"]	BLUE
40.3902.22	1000 [39.4"]	300 [11.8"]	RED
40.3900.22	1000 [39.4"]	300 [11.8"]	GRAY
40.3304.22	340 [13.4"]	300 [11.8"]	BLUE
40.3302.22	340 [13.4"]	300 [11.8"]	RED
40.3300.22	340 [13.4"]	300 [11.8"]	GRAY

BLUE	RAL5015 BLUE SKY
RED	RAL3031 ORIENT RED
GRAY	RAL7011 IRON GRAY