



EQUIPAGGIAMENTI
TECNICI
LAVAGGIO

26.2055.25

ARS350 P - Attacco rapido a sfera inox 35MPa
ARS350 P - S.S.T. ball-type quick coupling 35MPa



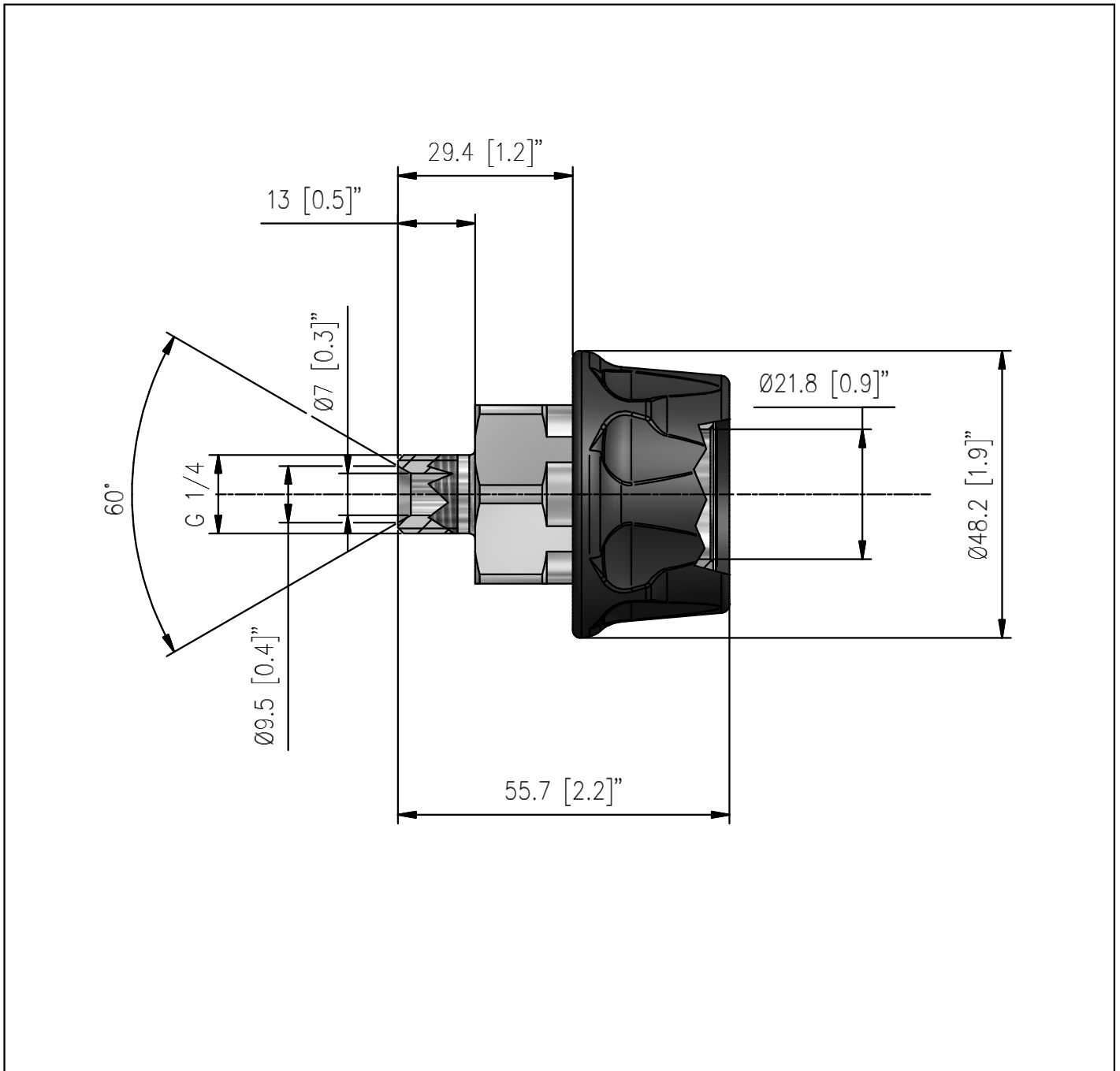
5

07/02/11

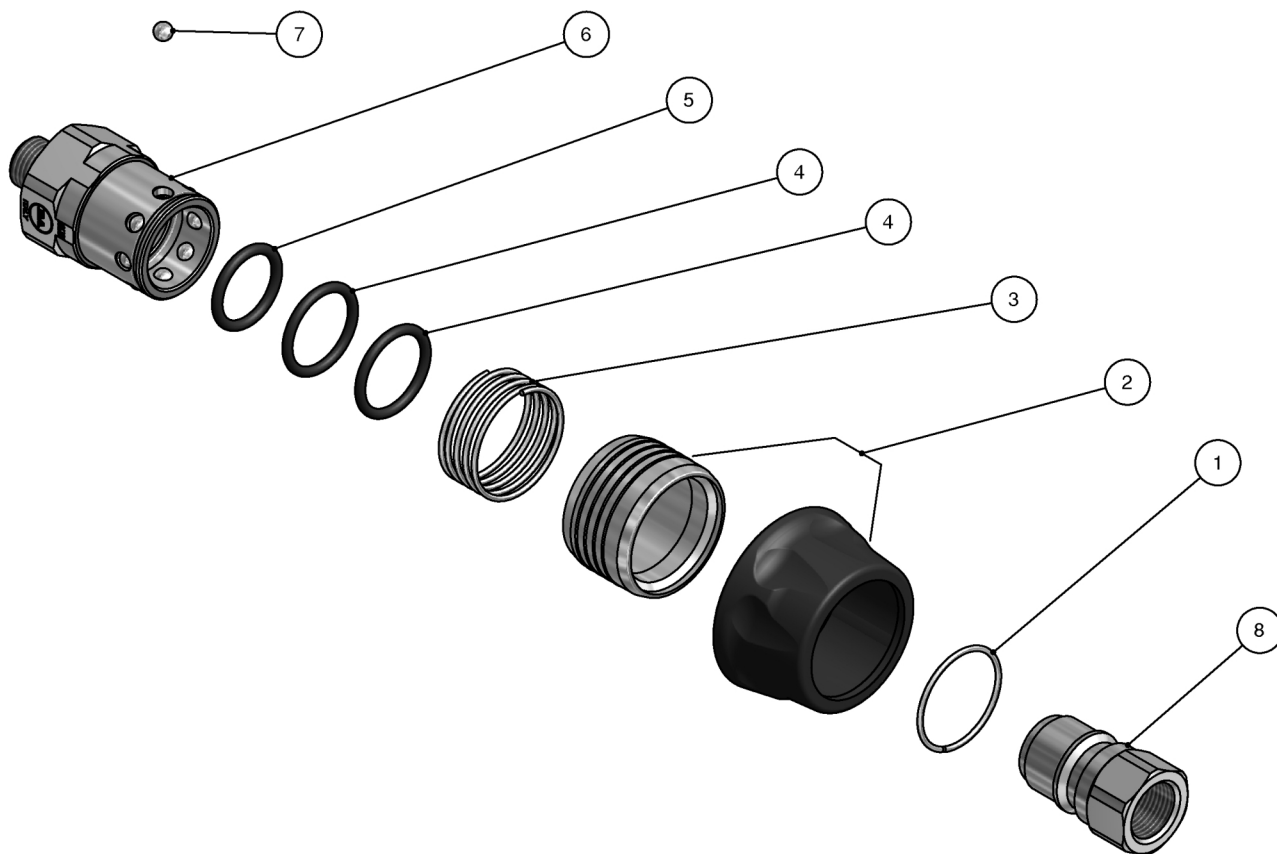
CARATTERISTICHE TECNICHE - SPECIFICATIONS

- PRESSIONE NOMINALE RATED PRESSURE	350 bar - 35 MPa (5100 psi)
- PRESSIONE CONSENTITA PERMISSIBLE PRESSURE	390 bar - 39 MPa (5650 psi)
- PORTATA MASSIMA MAX FLOW RATE	50 l/min (13.2 USG p.m.)
- TEMPERATURA MASSIMA MAX WORKING TEMPERATURE	90° C (195° F)
- MASSA WEIGHT	168 g (5.93 oz.)

MISURE D'INGOMBRO - OVERALL DIMENSIONS

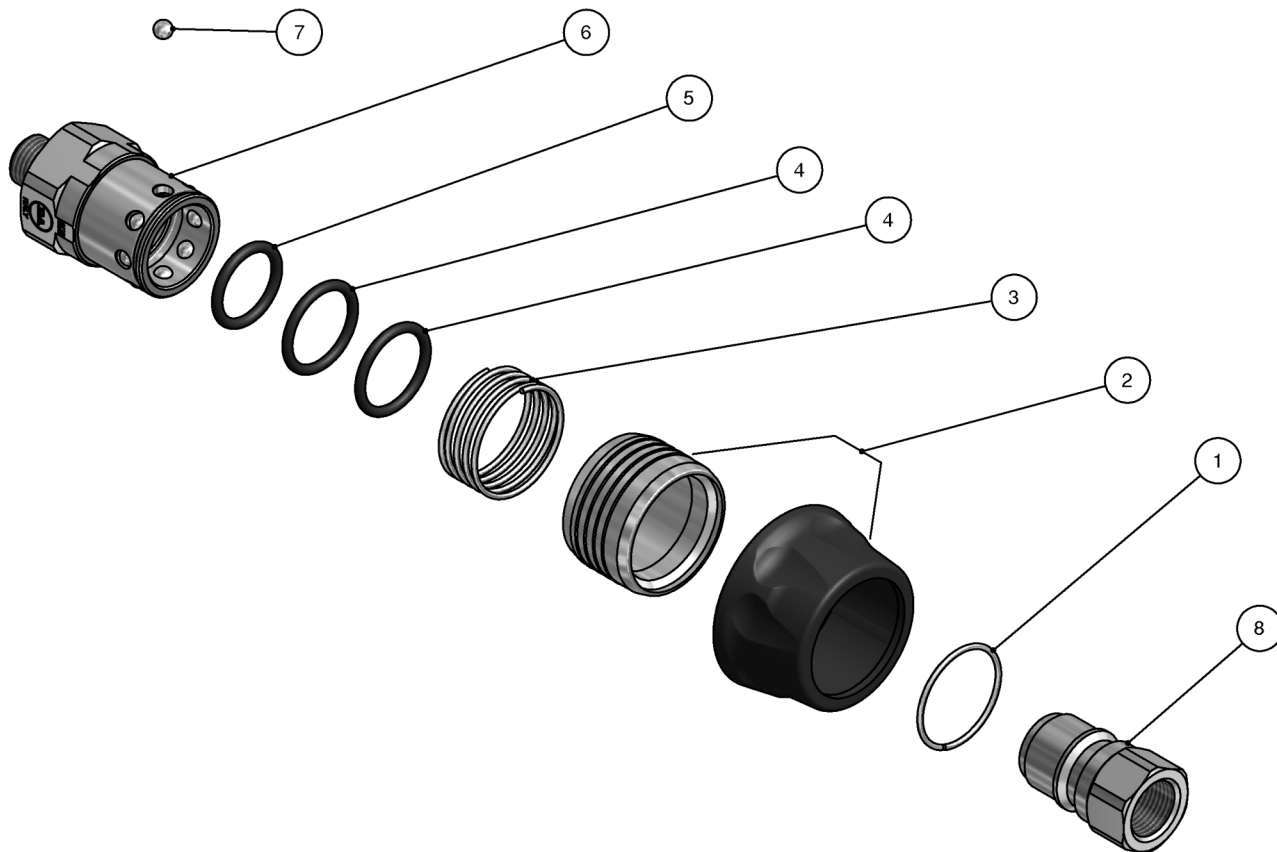


26.2055.25 ARS350P- B att.rapido a sfera,inox G1/4



Pos.	Codice	Descrizione	Q.tà	K1	K2	K3	K4		Pos.	Codice	Descrizione	Q.tà	K1	K2	K3	K4	
1	26.2034.51	An. elast. 1,4x26 mm inox	1					3	6	26.2037.51	Corpo ARS350 G1/4M inox	1					5
2	26.2057.21	ARS 350 P Manopola nera	1					5	7	14.7410.10	Sfera 3/16" inox	8					10
3	26.2033.51	Molla 1,4x29,1x25 mm inox	1					10	8	26.2035.51	ARS350 A nipplo a sfera, inox G3/8F	1					25
4	10.3195.10	An.OR 2,5x20 mm Vi 70	2					10	8	26.2040.51	ARS350 A nipplo a sfera, inox G1/4F	1					25
5	10.3181.95	An.OR 2,62x17,96 mm Vi 70	1					10	8	26.2045.51	ARS350 A nipplo a sfera, inox G1/4M	1					25

26.2055.25 ARS350P- B ba/typ. coupler,sst,1/4 M



Pos.	P/N	Description	Q.ty	K1	K2	K3	K4		Pos.	P/N	Description	Q.ty	K1	K2	K3	K4	
1	26.2034.51	Snap ring, 1,4x26 mm Sst.	1					3	6	26.2037.51	Housing -ARS350, 1/4M Bsp Sst.	1					5
2	26.2057.21	Hand nut, ARS 350 black	1					5	7	14.7410.10	Ball, 3/16" Sst.	8					10
3	26.2033.51	Spring, 1,4x29,1x25 mm Sst.	1					10	8	26.2035.51	ARS350 A ball-type nipple,sst,3/8F Bsp	1					25
4	10.3195.10	O-ring, 2,5x20 mm Vi 70	2					10	8	26.2040.51	ARS350 A ball-type nipple,sst,1/4F Bsp	1					25
5	10.3181.95	O-ring, 2,62x17,96 mm Vi 70	1					10	8	26.2045.51	ARS350 A ball-type nipple,sst,1/4M Bsp	1					25