



EQUIPAGGIAMENTI
TECNICI
LAVAGGIO

30.3280.00
RP 30 Rubinetto pneumatico
RP30 air compr.on-off gun



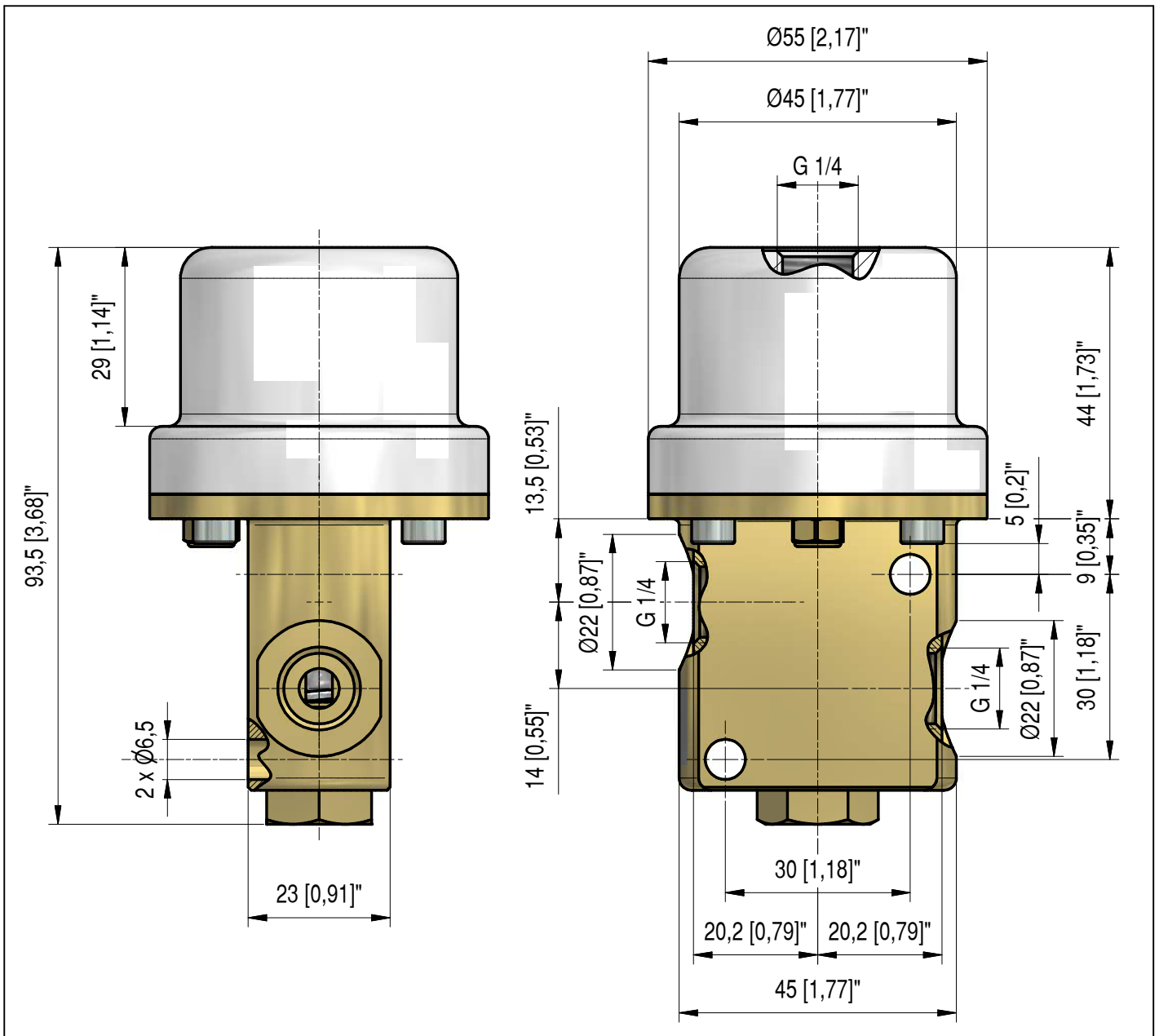
2

21/03/11

CARATTERISTICHE TECNICHE - SPECIFICATIONS

- PRESSIONE NOMINALE RATED PRESSURE	160 bar - 16 MPa (2300 psi)
- PRESSIONE CONSENTITA PERMISSIBLE PRESSURE	175 bar - 17.5 MPa (2550 psi)
- PORTATA MASSIMA MAX FLOW RATE	30 l/min (8 USG p.m.)
- TEMPERATURA MASSIMA MAX WORKING TEMPERATURE	90° C (195° F)
- PRESSIONE ARIA NECESSARIA REQUIRED AIR PRESSURE	7 bar - 0.7 MPa (101 psi)
- MASSA WEIGHT	562 g (19.8 oz.)

MISURE D'INGOMBRO - OVERALL DIMENSIONS





E QUIPAGGIAMENTI
T ECNICI
L AVAGGIO

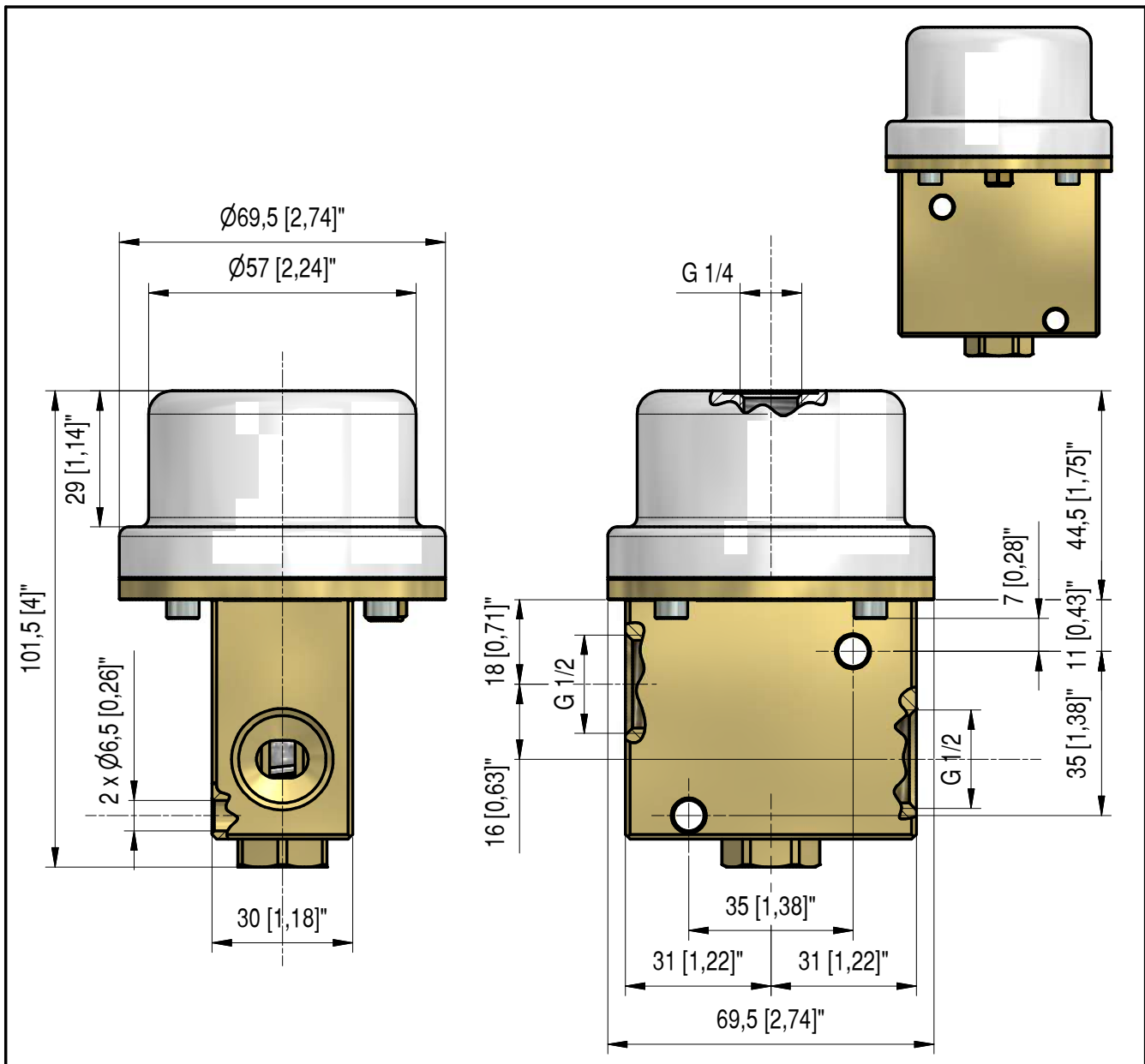
30.3260.00
RUBINETTO PNEUMATICO RP 80/160
RP 80/160 AIR COMPR. ON-OFF GUN

19/03/2016

CARATTERISTICHE TECNICHE - SPECIFICATIONS

- PRESSIONE NOMINALE <i>RATED PRESSURE</i>	160 bar - 16 MPa (2300 psi)
- PRESSIONE CONSENTITA <i>PERMISSIBLE PRESSURE</i>	175 bar - 17.5 MPa (2550 psi)
- PORTATA MASSIMA <i>MAX FLOW RATE</i>	80 l/min (21 USP p.m.)
- TEMPERATURA MASSIMA <i>MAX WORKING TEMPERATURE</i>	90° C (195° F)
- PRESSIONE ARIA NECESSARIA <i>REQUIRED AIR PRESSURE</i>	7 bar - 0.7 MPa (101 psi)
- MASSA <i>WEIGHT</i>	1080 g

MISURE D'INGOMBRO - OVERALL DIMENSIONS





EQUIPAGGIAMENTI
TECNICI
LAVAGGIO

30.3200.00
RP 120 Rubinetto pneumatico
RP 120 air compr.on-off gun



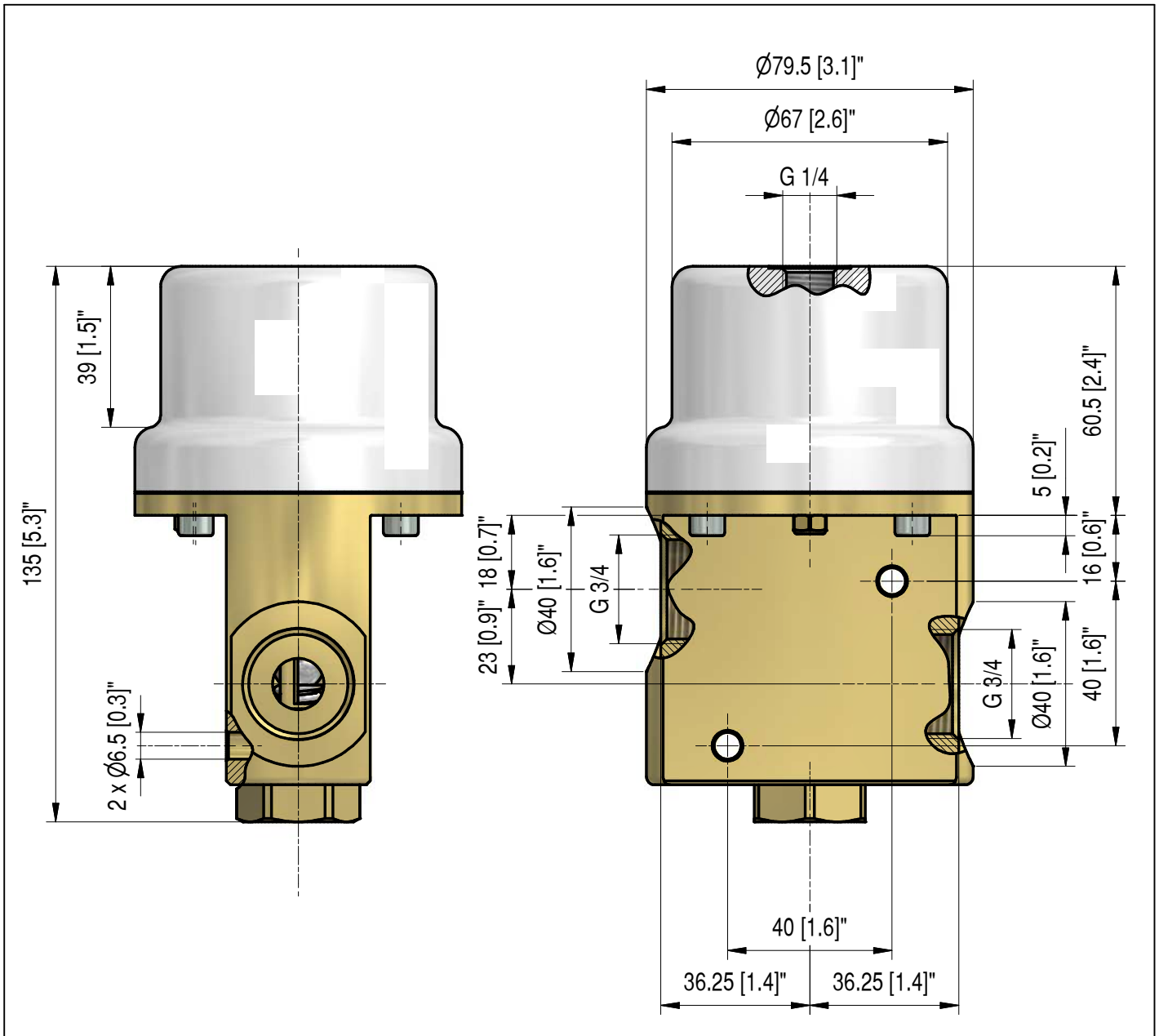
2

11/11/11

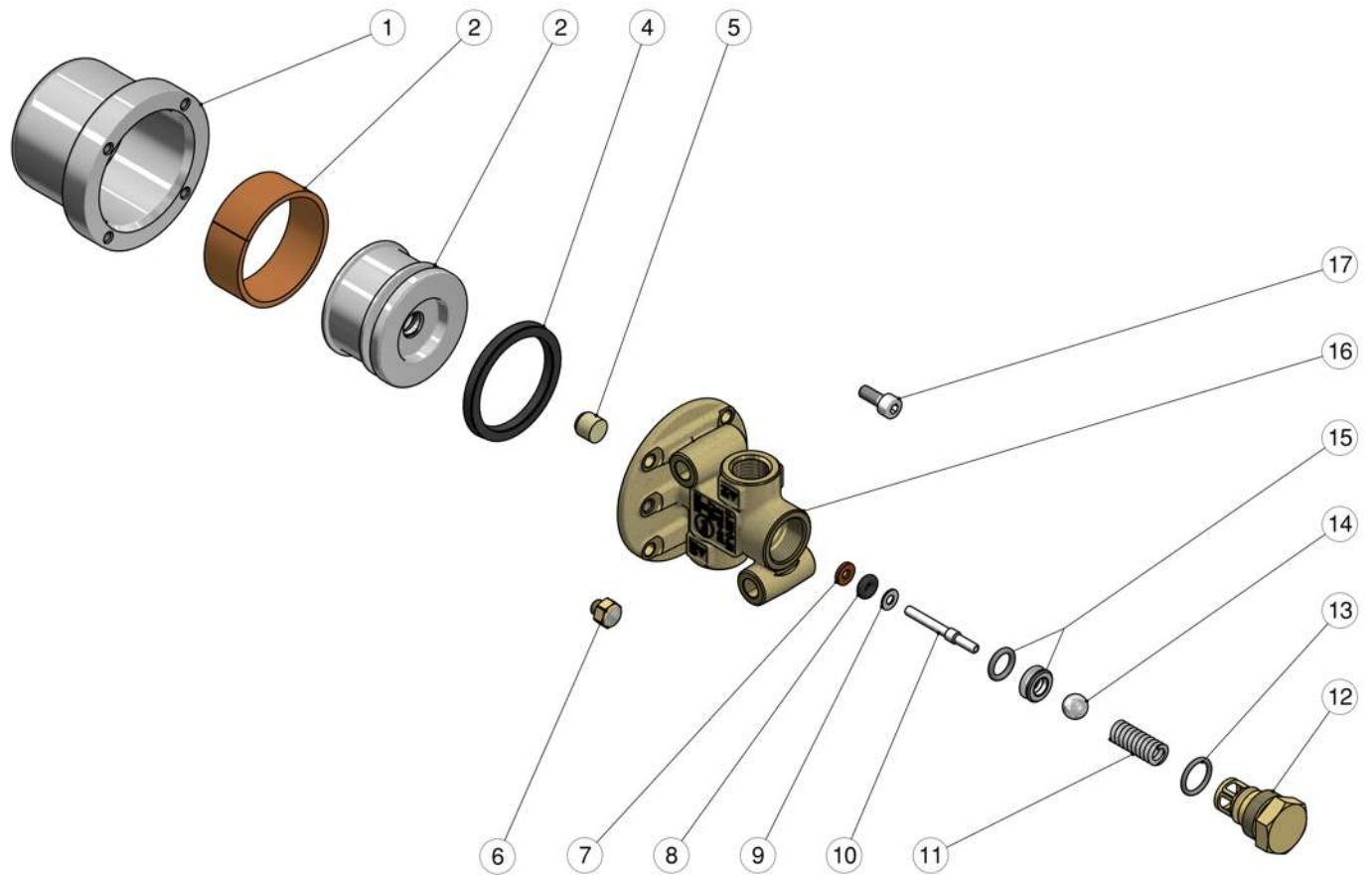
CARATTERISTICHE TECNICHE - SPECIFICATIONS

- PRESSIONE NOMINALE RATED PRESSURE	160 bar - 16 MPa (2300 psi)
- PRESSIONE CONSENTITA PERMISSIBLE PRESSURE	175 bar - 17.5 MPa (2550 psi)
- PORTATA MASSIMA MAX FLOW RATE	120 l/min (32 USG p.m.)
- TEMPERATURA MASSIMA MAX WORKING TEMPERATURE	90° C (195° F)
- PRESSIONE ARIA NECESSARIA REQUIRED AIR PRESSURE	7 bar - 0.7 MPa (101 psi)
- MASSA WEIGHT	1890 g (66.7 oz.)

MISURE D'INGOMBRO - OVERALL DIMENSIONS

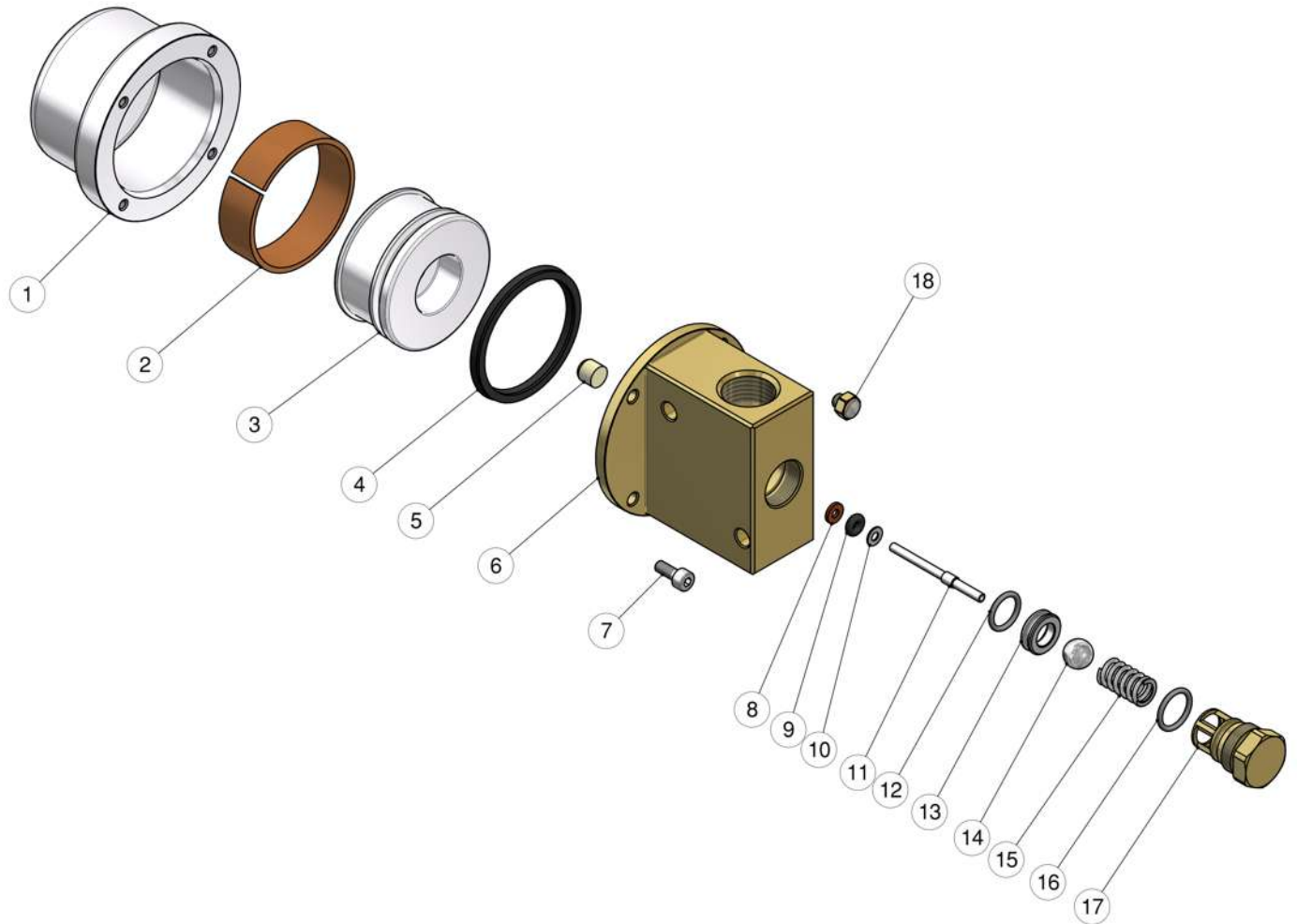


30.3280.00 RP30 1/4FF Bsp air compr.on-off gun



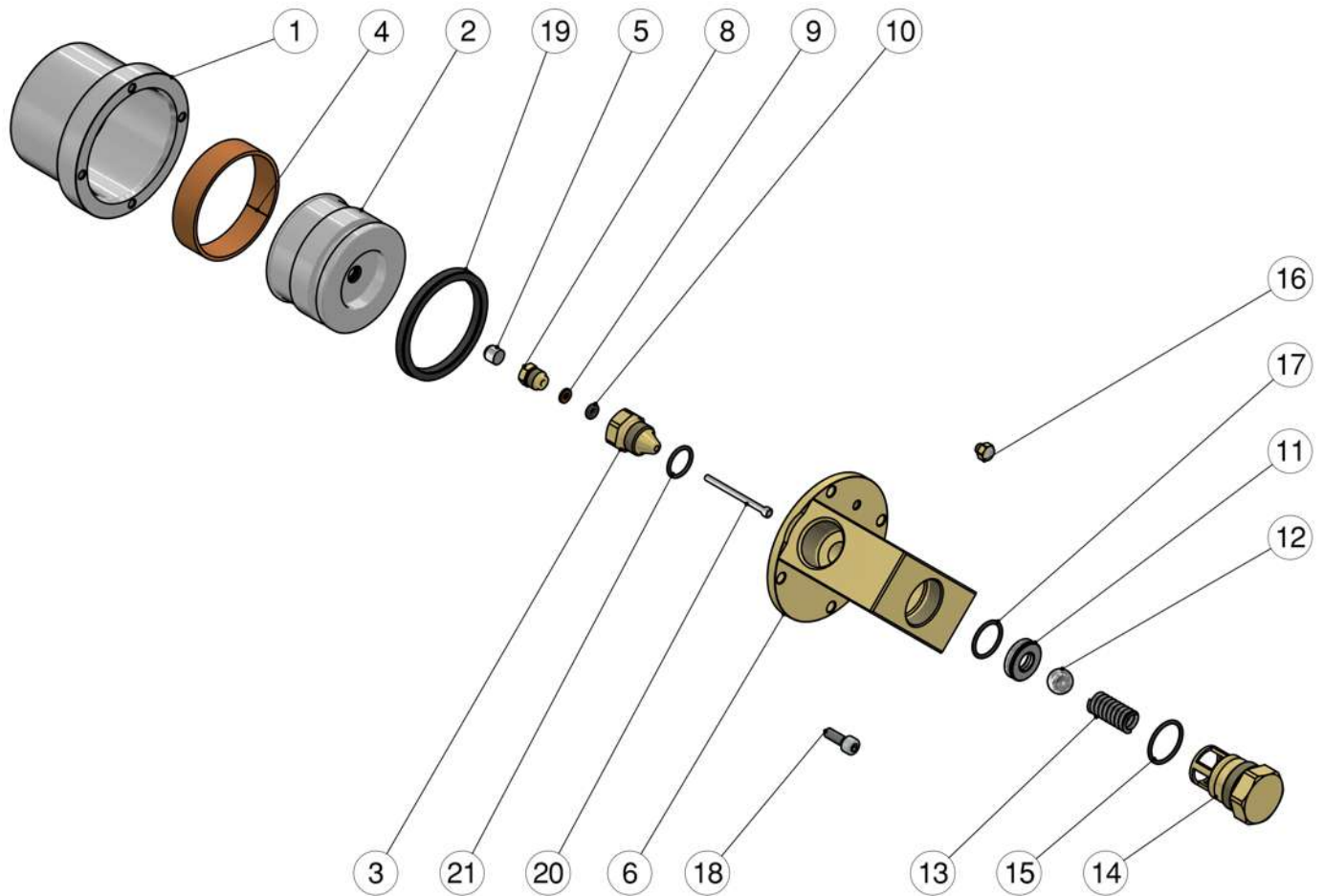
Pos.	P/N	Description	Q.ty	K1	K2	K3	K4		Pos.	P/N	Description	Q.ty	K1	K2	K3	K4	
1	30.3283.41	Jacket, Al -RP30	1					3	10	30.0704.51	Piston, 3-4 mm Sst.	1					10
2	30.3285.85	Bushing, opn. 118x14,8mm PTFE	1					5	11	30.2596.51	Spring, 1,5x6,1x23 mm Sst.	1					10
3	30.3281.41	Piston, RP30	1					2	12	30.2595.31	Spring plug, M16x1 brass	1					10
4	10.2041.32	Piston seal, 40x32x3,25 mm	1					3	13	10.3020.02	O-ring, 1,5x10 mm Ni 85	1					10
5	30.0675.84	Stop pin, 8x7,1mm PA	1					10	14	14.7448.00	Ball, 5/16" Sst.	1					10
6	13.0805.00	Screw M5 brass	1					3	15	30.1708.20	Seat, 6mm Sst.+O-ring 1,78mm NBR85	1					10
7	10.4018.00	Back-up ring, 3,2x7,5x1,2 mm	1					10	16	30.3282.35	Brass hous.-RP30-1/4"Bsp FF	1					2
8	10.3165.00	O-ring, 2,62x2,84 mm Vi 70	1					10	17	16.1834.00	Z.pl.screw M4x10 mm	4					10
9	14.3511.00	Washer, 3,2x7x0,5 mm sst.	1					10									

30.3260.00 RP80/160 -1/2 FF Bsp air compr.on-off gun



Pos.	P/N	Description	Q.ty	K1	K2	K3	K4		Pos.	P/N	Description	Q.ty	K1	K2	K3	K4	
1	30.3264.41	Jacket, Al -RP80/160	1					3	10	14.3511.00	Washer, 3,2x7x0,5 mm sst.	1					10
2	30.3263.85	Bushing, opn. 148,5x14,8mm PTFE	1					5	11	30.2802.51	Sst.plunger D.4x3x L.43mm	1					10
3	30.3262.41	Piston, RP 80/160	1					2	12	10.3059.01	O-ring, 1,78x11,11 mm Ni 85	1					10
4	10.2051.42	Piston seal, 50x42x3,5 mm	1					3	13	30.2806.20	Seat, 9mm Sst.+O-ring	1					10
5	30.0675.84	Stop pin, 8x7,1mm PA	1					10	14	14.7461.00	Ball, 13/32" Sst.	1					10
6	30.3261.31	Brass hous.-RP80/160-1/2 Bsp FF	1					1	15	30.4108.51	Spring, 1,6x8,8x24 mm Sst.	1					10
7	16.1834.00	Z.pl.screw M4x10 mm	4					10	16	10.3060.10	O-ring, 1,78x12,42 mm Vi 70	1					10
8	10.4018.00	Back-up ring, 3,2x7,5x1,2 mm	1					10	17	30.2803.31	Spring plug M18 brass	1					3
9	10.3165.00	O-ring, 2,62x2,84 mm Vi 70	1					10	18	13.0805.00	Screw M5 brass	1					3

30.3200.00 RP120 3/4FF Bsp air compr.on-off gun



Pos.	P/N	Description	Q.ty	K1	K2	K3	K4		Pos.	P/N	Description	Q.ty	K1	K2	K3	K4	
1	30.3206.41	Jacket, Al -RP120	1					3	12	14.7465.00	Ball, 1/2" Sst.	1					5
2	30.3207.41	Piston, RP120	1					2	13	30.5304.51	Spring, 2x29x9,9 mm Sst.	1					5
3	30.3203.31	Plug, M16x1 brass	1					5	14	30.3205.31	Spring plug, M26x1 brass	1					2
4	30.3204.85	Bushing, opn. 181x14,8mm PTFE	1					5	15	10.3072.01	O-ring, 1,78x20,35 mm Ni 85	1					10
5	30.0675.51	Stop pin, 8x7,1mm Sst.	1					10	16	13.0805.00	Screw M5 brass	1					3
6	30.3201.31	Brass hous.-RP120-3/4" Bsp FF	1					2	17	10.3068.01	O-ring, 1,78x17,17 mm Ni 85	1					10
8	30.4115.31	Front Plug, M10x1 brass	1					10	18	16.1868.14	Z.pl.screw M5x14 mm	4					4
9	10.4018.00	Back-up ring, 3,2x7,5x1,2 mm	1					10	19	10.2060.50	Piston seal, 60x50x5 mm	1					3
10	10.3165.00	O-ring, 2,62x2,84 mm Vi 70	1					10	20	30.3208.51	Pin, 3,0x44,4mm Sst.	1					3
11	30.5308.51	Seat, Sst.	1					3	21	10.3064.01	O-ring, 1,78x14 mm Ni 85	1					10



P.A. S.p.A.
Via Milano, 13
42048 Rubiera, Reggio Emilia - Italy
Tel +39.0522.623611
Fax +39.0522.629600
info@pa-etl.it

www.pa-etl.it



COMPANY WITH QUALITY MANAGEMENT
SYSTEM CERTIFIED BY DNV
= ISO 9001 =