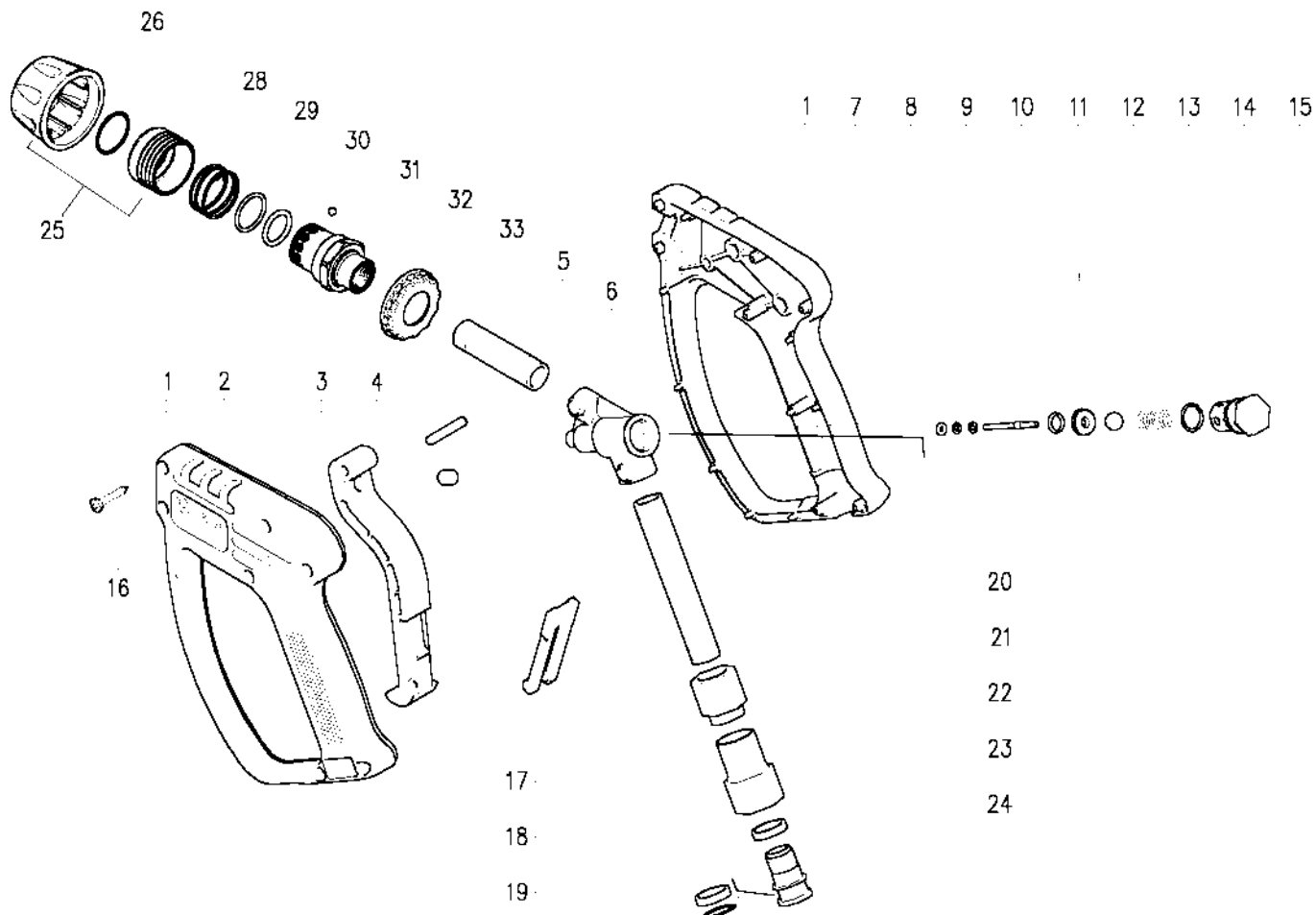


30.2960.00 RL34 br. spr.gun sw5- 1/2F Bsp+ARS 178 B



K1K2K3K4					K1K2K3K4												
1	30.2903.24	Casing-kit -RL34 +screws, Sst.	1					1	17	30.1510.84	Safety latch, PA red	1					10
2	30.2543.84	Blue trigger RL34-82	1					2	18	26.1075.85	Bushing, open 15,5x19x4 mm PTFE	1					5
3	30.0675.84	Stop pin, 8x7,1mm PA	1					10	19	10.3092.10	O-ring, 2x15 mm Vi 70	1					10
4	30.2517.31	Parallel pin, 5x27,5 mm brass	1					10	20	30.3173.36	Tube L.96mm M16x1 mm brass	1					5
5	30.2807.56	Front tube, 53mm-M16x1 MM Sst.	1					3	21	30.3181.31	Coupling M15xM16 Brass	1					3
6	30.2901.35	Brass housing RL34	1					2	22	30.3182.31	Coupling 1/2 F Bsp, nickel-plated brass	1					3
7	10.4018.00	Back-up ring, 3,2x7,5x1,2 mm	1					10	23	26.1074.85	Bushing, 15,5x19x4 mm PTFE	1					5
8	10.3165.00	O-ring, 2,62x2,84 mm Vi 70	1					10	24	26.1072.31	Pin, M15x1-19 mm brass	1					10
9	14.3511.00	Washer, 3,2x7x0,5 mm sst.	1					10	25	30.2812.21	Hand nut, ARS 178 blue	1					5
10	30.2802.51	Sst.plunger D.4x3x L.43mm	1					10	26	26.2504.51	Snap ring, 1,3 mm sst	1					10
11	30.2806.20	Seat, 9mm Sst.+O-ring	1					10	28	26.2502.51	Sst spring, 1,3x26x22mm	1					10
12	14.7461.00	Ball, 13/32" Sst.	1					10	29	10.3068.10	O-ring, 1,78x17,17 mm Vi 70	1					10
13	30.4108.51	Spring, 1,6x8,8x24 mm Sst.	1					10	30	10.3181.25	O-Ring, 2,62x15,88 mm Vit.	1					10
14	10.3060.10	O-ring, 1,78x12,42 mm Vi 70	1					10	31	14.7405.00	Ball, 5/32" Sst.	12					10
15	30.2803.31	Spring plug M18 brass	1					3	32	30.2808.51	Housing -ARS178, M16- F Sst.	1					5
16	16.3075.51	S/tapping scr. 3,5x18 mm sst.	7					10	33	30.2810.84	Guard ring, ARS 178 blue	1					5