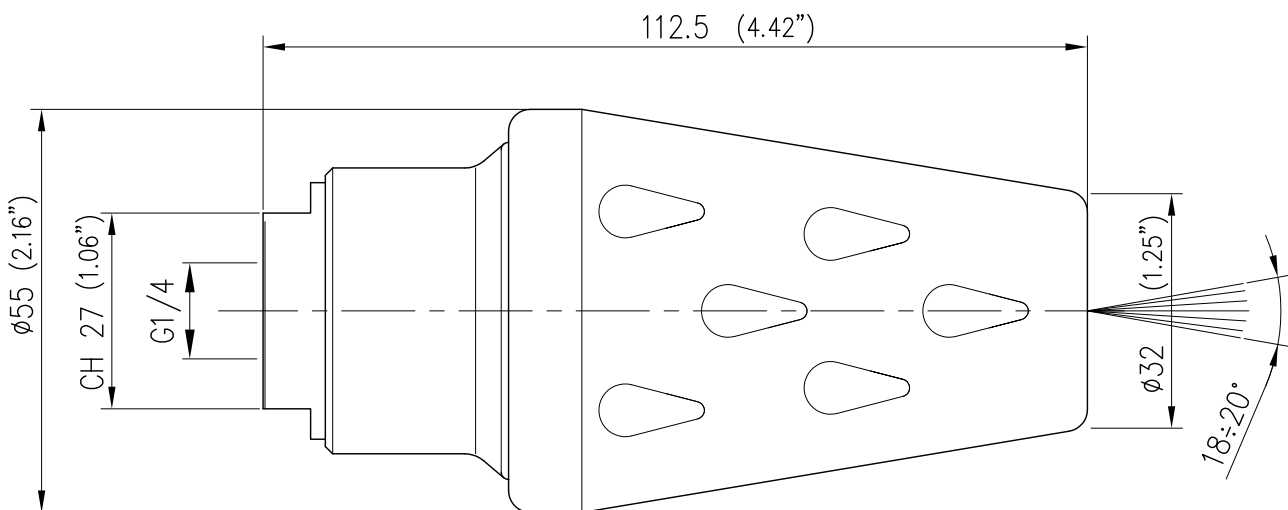


- ROBUSTA COSTRUZIONE IN OTTONE
STRONG BRASS STRUCTURE
- SEDE E UGELLO IN CERAMICA AD ALTISSIMA RESISTENZA
HIGHLY SHOCK-RESISTANT CERAMIC SEAT AND NOZZLE
- ALTO ASSORBIMENTO DEGLI URTI ACCIDENTALI GRAZIE ALLA PROTEZIONE IN PLASTICA.
HIGH ABSORPTION OF ACCIDENTAL BUMPS THANKS TO THE PLASTIC PROTECTION

CARATTERISTICHE TECNICHE
SPECIFICATIONS

- PRESSIONE NOMINALE <i>RATED PRESSURE</i>	350 bar – 35 MPa (5000 psi)
- TEMPERATURA MASSIMA <i>MAX WORKING TEMPERATURE</i>	90° C (194 °F)
- PESO <i>WEIGHT</i>	0.725 Kg 25.5 OZ

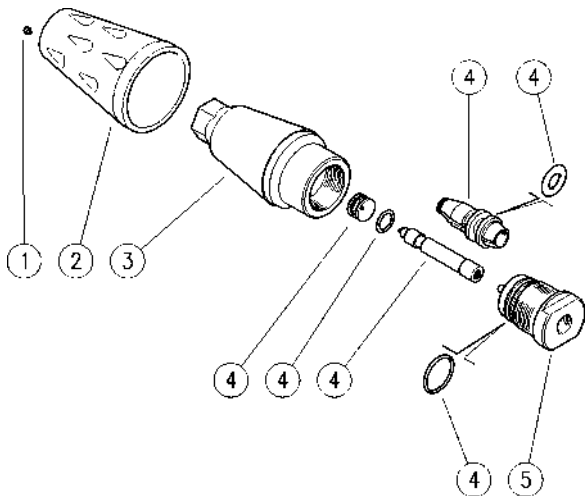
MISURE D'INGOMBRO
OVERALL DIMENSIONS



CODICE <i>CODE</i>	FATTORE DI PORTATA <i>CAPACITY SIZE</i>
25.1735.20	F.P. 02
25.1735.30	F.P. 03
25.1735.35	F.P. 035
25.1735.40	F.P. 04
25.1735.45	F.P. 045
25.1735.50	F.P. 05
25.1735.55	F.P. 055
25.1735.60	F.P. 06
25.1735.65	F.P. 065
25.1735.80	F.P. 08
25.1735.90	F.P. 09
25.1735.10	F.P. 10

- 25.1735.10 UR35-10 Ug.rot.350bar, bian/blu
- 25.1735.12 UR35-12 Ug.rot.350bar, bian/gial.
- 25.1735.19 UR35-20.00 Ugello rot.350bar bia.rosso
- 25.1735.20 UR35-02 Ug.rot.350bar, ver.ch.
- 25.1735.30 UR35-03 Ug.rot.350bar, bian.
- 25.1735.35 UR35-035 Ug.rot.350bar, marr.
- 25.1735.40 UR35-04 Ug.rot.350bar, gial.sc.

- 25.1735.45 UR35-045 Ug.rot.350bar, blu
- 25.1735.50 UR35-05 Ug.rot.350bar, viol.ch.
- 25.1735.55 UR35-055 Ug.rot.350bar, ros.sc.
- 25.1735.60 UR35-06 Ug.rot.350bar, ver.sc.
- 25.1735.65 UR35-065 Ug.rot.350bar, cel.
- 25.1735.80 UR35-08 Ug.rot.350bar, arg.
- 25.1735.90 UR35-09 Ug.rot.350bar, oro

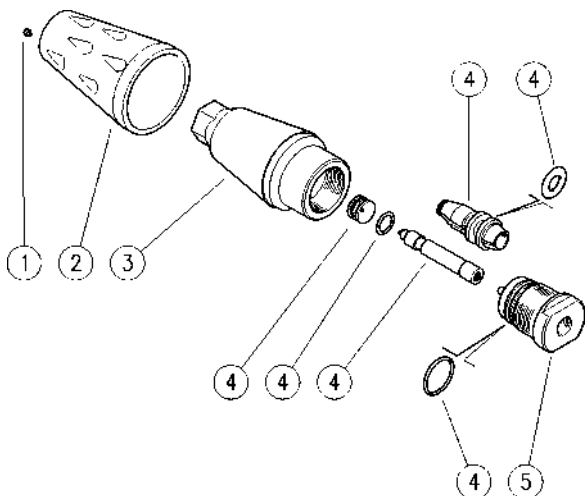


Pos.	Codice	Descrizione	Q.tà	K1	K2	K3	K4	
1	15.2000.35	Chiodo 035 marrone (1)	1					10
2	25.1736.85	Manopola UR35 nera	1					3
3	25.1737.31	Corpo UR35	1					1
4	25.1922.24	Kit ric. UR35.02 (2)	1					1
4	25.1923.24	Kit ric. UR35.03 (3)	1					1
4	25.1746.24	Kit ric. UR35.035 (1)	1					1
4	25.1748.24	Kit ric. UR35.04 (4)	1					1
4	25.1792.24	Kit ric. UR35.045 (5)	1					1
4	25.1796.24	Kit ric. UR35.05 (6)	1					1
4	25.1793.24	Kit ric. UR35.055 (7)	1					1
4	25.1797.24	Kit ric. UR35.06 (8)	1					1
4	25.1794.24	Kit ric. UR35.065 (9)	1					1
4	25.1925.24	Kit ric. UR35.08 (10)	1					1
4	25.1795.24	Kit ric. UR35.09 (11)	1					1
4	25.1798.24	Kit ric. UR35.10 (12)	1					1
4	25.1799.24	Kit ric. UR35-12- 5×1pz. (13)	1					1
4	25.1926.24	Kit ric. UR35.20 (14)	1					1
5	25.1740.31	Raccordo G1/4F (1)	1					3
5	25.1906.31	Raccordo G1/4F (5)	1					3
5	25.1907.31	Raccordo G1/4F (7)	1					3
5	25.1908.31	Raccordo G1/4F (9)	1					3
5	25.1918.31	Raccordo G1/4F (10)	1					3
5	25.1909.31	Raccordo G1/4F (11)	1					3
5	25.1919.31	UR35-10 Tappo convogl. G1/4 Ot (12)	1					3

(1) 25.1735.35 (2) 25.1735.20 (3) 25.1735.30 (4) 25.1735.40 (5) 25.1735.45
 (6) 25.1735.50 (7) 25.1735.55 (8) 25.1735.60 (9) 25.1735.65 (10) 25.1735.80
 (11) 25.1735.90 (12) 25.1735.10 (13) 25.1735.12 (14) 25.1735.19

- 25.1735.10 UR35-10 Rotat.nzl,350bar, wht/blue
- 25.1735.12 UR35-12 Rotat.nzl,350bar, wht/yell.
- 25.1735.19 UR35-20.00 Rotat.nzl,350bar, wht/red
- 25.1735.20 UR35-02 Rotat.nzl,350bar, l.green
- 25.1735.30 UR35-03 Rotat.nzl,350bar, white
- 25.1735.35 UR35-035 Rotat.nzl,350bar, brown
- 25.1735.40 UR35-04 Rotat.nzl,350bar, d.yell.

- 25.1735.45 UR35-045 Rotat.nzl,350bar, blue
- 25.1735.50 UR35-05 Rotat.nzl,350bar, l.purple
- 25.1735.55 UR35-055 Rotat.nzl,350bar, d.red
- 25.1735.60 UR35-06 Rotat.nzl,350bar, d.green
- 25.1735.65 UR35-065 Rotat.nzl,350bar, l.blue
- 25.1735.80 UR35-08 Rotat.nzl,350bar, silver
- 25.1735.90 UR35-09 Rotat.nzl,350bar, gold



Pos.	P/N	Description	Q.ty	K1	K2	K3	K4	
1	15.2000.35	Stud, 035 brown (1)	1					10
2	25.1736.85	Knob UR35, black	1					3
3	25.1737.31	Housing -UR35	1					1
4	25.1922.24	Spares kit -UR35.02 (2)	1					1
4	25.1923.24	Spares kit -UR35.03 (3)	1					1
4	25.1746.24	Spares kit -UR35.035 (1)	1					1
4	25.1748.24	Spares kit -UR35.04 (4)	1					1
4	25.1792.24	Spares kit -UR35.045 (5)	1					1
4	25.1796.24	Spares kit -UR35.05 (6)	1					1
4	25.1793.24	Spares kit -UR35.055 (7)	1					1
4	25.1797.24	Spares kit -UR35.06 (8)	1					1
4	25.1794.24	Spares kit -UR35.065 (9)	1					1
4	25.1925.24	Spares kit -UR35.08 (10)	1					1
4	25.1795.24	Spares kit -UR35.09 (11)	1					1
4	25.1798.24	Spares kit -UR35.10 (12)	1					1
4	25.1799.24	Spares kit -UR35-12- 5x1pcs. (13)	1					1
4	25.1926.24	Spares kit -UR35.20 (14)	1					1
5	25.1740.31	Coupling, 1/4 F Bsp (1)	1					3
5	25.1906.31	Coupling, 1/4 F Bsp (5)	1					3
5	25.1907.31	Coupling, 1/4 F Bsp (7)	1					3
5	25.1908.31	Coupling, 1/4 F Bsp (9)	1					3
5	25.1918.31	Coupling, 1/4 F Bsp (10)	1					3
5	25.1909.31	Coupling, 1/4 F Bsp (11)	1					3
5	25.1919.31	Coupling, 1/4 F Bsp- UR35-10 (12)	1					3

(1) 25.1735.35 (2) 25.1735.20 (3) 25.1735.30 (4) 25.1735.40 (5) 25.1735.45
 (6) 25.1735.50 (7) 25.1735.55 (8) 25.1735.60 (9) 25.1735.65 (10) 25.1735.80
 (11) 25.1735.90 (12) 25.1735.10 (13) 25.1735.12 (14) 25.1735.19



P.A. S.p.A.
Via Milano, 13
42048 Rubiera, Reggio Emilia - Italy
Tel +39.0522.623611
Fax +39.0522.629600
info@pa-etl.it

www.pa-etl.it



COMPANY WITH QUALITY MANAGEMENT
SYSTEM CERTIFIED BY DNV
= ISO 9001 =