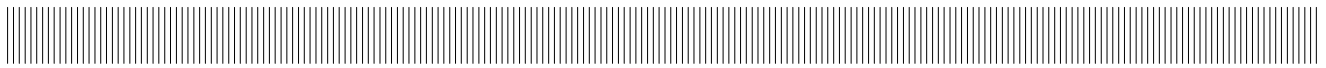


|  |  |  |          |          |
|--|--|--|----------|----------|
|  | EQUIPAGGIAMENTI<br>TECNICI<br>LAVAGGIO | UGELLO ROTANTE UR16 BASSA PRESSIONE<br>LOW PRESSURE ROTATING NOZZLE UR16 | I<br>GB  | <b>4</b> |
|  |  |  | 29/09/05 |          |

PATENT PENDING

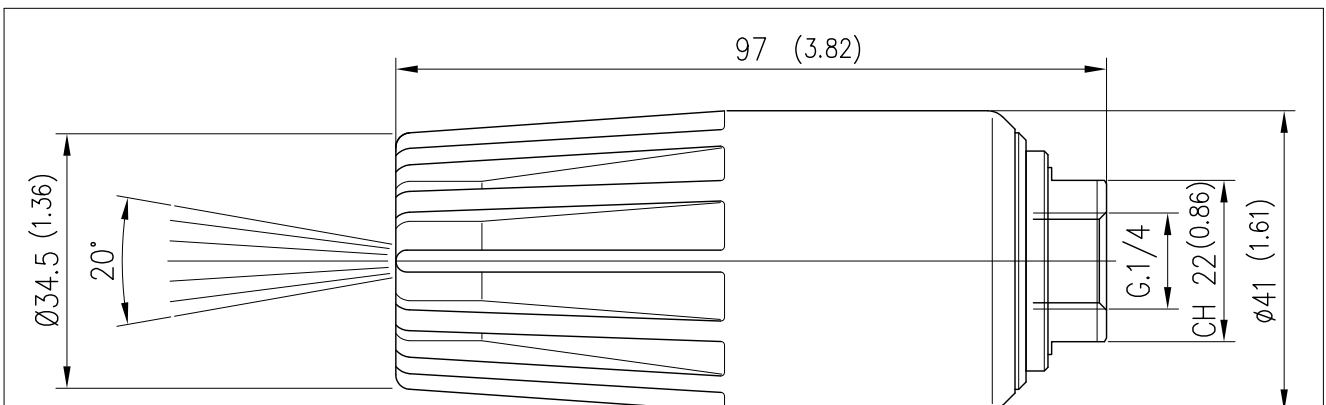


- ROBUSTA COSTRUZIONE IN OTTONE  
*STRONG BRASS STRUCTURE*
- SEDE E UGELLO IN CERAMICA AD ALTISSIMA RESISTENZA  
*HIGHLY SHOCK-RESISTANT CERAMIC SEAT AND NOZZLE*
- ALTO ASSORBIMENTO DEGLI URTI ACCIDENTALI GRAZIE ALLA PROTEZIONE IN PLASTICA 'GIALLA'  
*HIGH ABSORPTION OF ACCIDENTAL KNOCKS THANKS TO THE 'YELLOW' PLASTIC PROTECTION*
- UTILIZZABILE IN OGNI POSIZIONE GRAZIE AL SISTEMA CON MOLLA INTERNA CHE ELIMINA I GIOCHI TRA SEDE E UGELLO.  
*CAN BE USED IN ANY POSITION THANKS TO THE SYSTEM EQUIPPED WITH INTERNAL SPRING ELIMINATING THE CLEARANCE BETWEEN SEAT AND NOZZLE.*

### SPECIFICHE TECNICHE - SPECIFICATIONS

|  |   |
|--|---|
| - PRESSIONE NOMINALE<br><i>RATED PRESSURE</i>                    | 160 bar - 16 MPa (2300 psi)   |
| - PRESSIONE MINIMA DI UTILIZZO<br><i>MIN. OPERATING PRESSURE</i> | 30 bar - 3 MPa (435 psi)   F.P.02 * 80 bar - 8 MPa (1150 psi)         |
| - PORTATA MINIMA<br><i>MIN. FLOW</i>                             | 3.1 L/min (0.8 USGp.m.) 30 bar - 3 MPa (435 psi) ugello (nozzle) 025  |
| - PORTATA MASSIMA<br><i>MAX FLOW</i>                             | 23 L/min (6.1 USGp.m.) 160 bar - 16 MPa (2300 psi) ugello (nozzle) 08 |
| - TEMPERATURA MINIMA<br><i>MIN. WORKING TEMPERATURE</i>          | 5° C (41°F)   |
| - TEMPERATURA MASSIMA<br><i>MAX WORKING TEMPERATURE</i>          | 100° C (212 °F)   |
| - PESO<br><i>WEIGHT</i>  | 0.41 Kg (14.46 oz)  |

### MISURE D'INGOMBRO - OVERALL DIMENSIONS

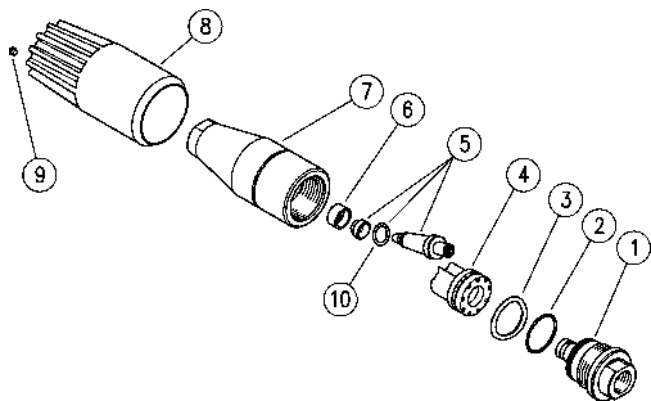


|   | CODICE<br><i>CODE</i> | FATTORE DI PORTATA<br><i>CAPACITY SIZE</i> |
|---|-----------------------|--|
| * | 25.1680.20            | 02   |
|   | 25.1680.25            | 025  |
|   | 25.1680.30            | 03   |
|   | 25.1680.35            | 035  |
|   | 25.1680.40            | 04   |
|   | 25.1680.45            | 045  |

|  | CODICE<br><i>CODE</i> | FATTORE DI PORTATA<br><i>CAPACITY SIZE</i> |
|--|-----------------------|--|
|  | 25.1680.50            | 05   |
|  | 25.1680.55            | 055  |
|  | 25.1680.60            | 06   |
|  | 25.1680.65            | 065  |
|  | 25.1680.70            | 07   |
|  | 25.1680.80            | 08   |

- 25.1680.20 UR16-02 Ugello rot.160bar verde chiaro
- 25.1680.25 UR16-025 Ugello rot.160bar rosa
- 25.1680.30 UR16-03 Ugello rot.160bar bianco
- 25.1680.35 UR16-035 Ugello rot.160bar marrone
- 25.1680.40 UR16-04 Ug.rot.160bar, giallo sc.
- 25.1680.45 UR16-045 Ug.rot.160bar, blu

- 25.1680.50 UR16-05 Ug.rot.160bar, viola ch.
- 25.1680.55 UR16-055 Ug.rot.160bar, rosso sc.
- 25.1680.60 UR16-06 Ug.rot.160bar, ver.sc.
- 25.1680.65 UR16-065 Ug.rot.160bar, cel.
- 25.1680.70 UR16-07 Ug.rot.160bar, arancio
- 25.1680.80 UR16-08 Ug.rot.160bar, argento

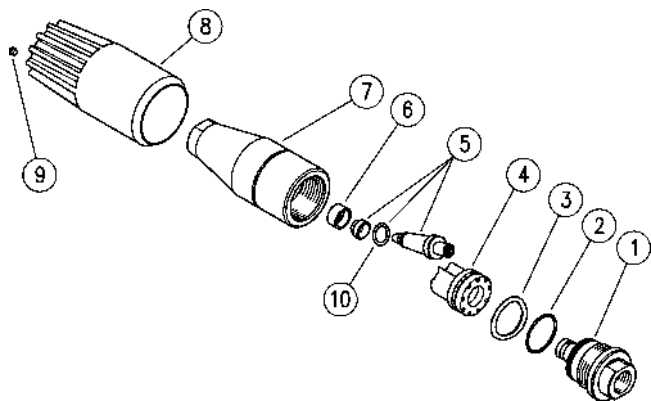


| Pos. | Codice     | Descrizione                           | Q.tà | K1 | K2 | K3 | K4 |    |
|------|------------|---------------------------------------|------|----|----|----|----|----|
| 1    | 25.1679.31 | Raccordo G1/4 F - 1,3 mm-fp02 (1)     | 1    |    |    |    |    | 3  |
| 1    | 25.1676.31 | Raccordo G1/4 F - 1,0 mm (2)          | 1    |    |    |    |    | 3  |
| 1    | 25.1677.31 | Raccordo G1/4 F - 1,1 mm (3)          | 1    |    |    |    |    | 3  |
| 1    | 25.1662.31 | Raccordo G1/4F (4)                    | 1    |    |    |    |    | 3  |
| 1    | 25.1663.31 | Raccordo G1/4F (5)                    | 1    |    |    |    |    | 3  |
| 1    | 25.1634.31 | Raccordo G1/4F (6)                    | 1    |    |    |    |    | 3  |
| 1    | 25.1634.31 | Raccordo G1/4F (7)                    | 1    |    |    |    |    | 3  |
| 1    | 25.1635.31 | Raccordo G1/4F (8)                    | 1    |    |    |    |    | 3  |
| 1    | 25.1635.31 | Raccordo G1/4F (9)                    | 1    |    |    |    |    | 3  |
| 1    | 25.1645.31 | Raccordo G1/4F (10)                   | 1    |    |    |    |    | 3  |
| 1    | 25.1636.31 | Raccordo G1/4F (11)                   | 1    |    |    |    |    | 3  |
| 1    | 25.1646.31 | Raccordo G1/4F (12)                   | 1    |    |    |    |    | 3  |
| 2    | 10.3072.01 | An.OR 1,78x20,35 mm Ni 85             | 1    |    |    |    |    | 10 |
| 3    | 25.1626.63 | Rosetta 14,8x23x0,1mm inox            | 1    |    |    |    |    | 5  |
| 4    | 25.1631.22 | Turbina                               | 1    |    |    |    |    | 3  |
| 5    | 25.1683.24 | Kit ric. UR16.02 (1)                  | 1    |    |    |    |    | 1  |
| 5    | 25.1659.24 | Kit ric. UR16.025/UR25-32.03 (2)      | 1    |    |    |    |    | 1  |
| 5    | 25.1660.24 | Kit ric. UR16.03/UR32.035 (3)         | 1    |    |    |    |    | 1  |
| 5    | 25.1633.24 | Kit ric. UR16.035/UR25.04/UR32.04 (4) | 1    |    |    |    |    | 1  |
| 5    | 25.1637.24 | Kit ric. UR16.04-045/UR25-32.045 (5)  | 1    |    |    |    |    | 1  |
| 5    | 25.1637.24 | Kit ric. UR16.04-045/UR25-32.045 (6)  | 1    |    |    |    |    | 1  |
| 5    | 25.1638.24 | Kit ric. UR16-25-32.05 (7)            | 1    |    |    |    |    | 1  |
| 5    | 25.1668.24 | Kit ric. UR16-25-32.055 (8)           | 1    |    |    |    |    | 1  |
| 5    | 25.1639.24 | Kit ric. UR16-25-32.06 (9)            | 1    |    |    |    |    | 1  |
| 5    | 25.1640.24 | Kit ric. UR16-25-32.065 (10)          | 1    |    |    |    |    | 1  |
| 5    | 25.1641.24 | Kit ric. UR16-25-32.07 (11)           | 1    |    |    |    |    | 1  |
| 5    | 25.1669.24 | Kit ric. UR16-25-32.08 (12)           | 1    |    |    |    |    | 1  |
| 6    | 25.1624.85 | Guarn. 7,2x12x6 mm PTFE               | 1    |    |    |    |    | 10 |
| 7    | 25.1622.31 | Corpo UR25                            | 1    |    |    |    |    | 3  |
| 8    | 25.1681.85 | Manopola UR16 gialla                  | 1    |    |    |    |    | 3  |
| 9    | 15.2000.40 | Chiodo 04 giallo scuro (5)            | 1    |    |    |    |    | 10 |
| 10   | 10.3230.00 | An or 3,53 x 7,52 mm Ni 70            | 2    |    |    |    |    | 10 |

(1) 25.1680.20 (2) 25.1680.25 (3) 25.1680.30 (4) 25.1680.35 (5) 25.1680.40  
 (6) 25.1680.45 (7) 25.1680.50 (8) 25.1680.55 (9) 25.1680.60 (10) 25.1680.65  
 (11) 25.1680.70 (12) 25.1680.80

- 25.1680.20 UR16-02 Rotat.nzl,160bar, light green
- 25.1680.25 UR16-025 Rotat.nzl,160bar, pink
- 25.1680.30 UR16-03 Rotat.nzl,160bar, white
- 25.1680.35 UR16-035 Rotat.nzl,160bar, brown
- 25.1680.40 UR16-04 Rotat.nzl,160bar, d. yellow
- 25.1680.45 UR16-045 Rotat.nzl,160bar, blue

- 25.1680.50 UR16-05 Rotat.nzl,160bar, l.purp.
- 25.1680.55 UR16-055 Rotat.nzl,160bar, d. red
- 25.1680.60 UR16-06 Rotat.nzl,160bar, d.green
- 25.1680.65 UR16-065 Rotat.nzl,160bar, l.blue
- 25.1680.70 UR16-07 Rotat.nzl,160bar, orange
- 25.1680.80 UR16-08 Rotat.nzl,160bar, silver



| Pos. | P/N        | Description                              | Q.ty | K1 | K2 | K3 | K4 |    |
|------|------------|--|------|----|----|----|----|----|
| 1    | 25.1679.31 | Coupling, 1/4F Bsp - 1,3 mm (1)          | 1    |    |    |    |    | 3  |
| 1    | 25.1676.31 | Coupling, 1/4F Bsp - 1,0mm (2)           | 1    |    |    |    |    | 3  |
| 1    | 25.1677.31 | Coupling, 1/4F Bsp - 1,1 mm (3)          | 1    |    |    |    |    | 3  |
| 1    | 25.1662.31 | Coupling, 1/4 F Bsp (4)                  | 1    |    |    |    |    | 3  |
| 1    | 25.1663.31 | Coupling, 1/4 F Bsp (5)                  | 1    |    |    |    |    | 3  |
| 1    | 25.1634.31 | Coupling, 1/4 F Bsp (6)                  | 1    |    |    |    |    | 3  |
| 1    | 25.1634.31 | Coupling, 1/4 F Bsp (7)                  | 1    |    |    |    |    | 3  |
| 1    | 25.1635.31 | Coupling, 1/4 F Bsp (8)                  | 1    |    |    |    |    | 3  |
| 1    | 25.1635.31 | Coupling, 1/4 F Bsp (9)                  | 1    |    |    |    |    | 3  |
| 1    | 25.1645.31 | Coupling, 1/4 F Bsp (10)                 | 1    |    |    |    |    | 3  |
| 1    | 25.1636.31 | Coupling, 1/4 F Bsp (11)                 | 1    |    |    |    |    | 3  |
| 1    | 25.1646.31 | Coupling, 1/4 F Bsp (12)                 | 1    |    |    |    |    | 3  |
| 2    | 10.3072.01 | O-ring, 1,78x20,35 mm Ni 85              | 1    |    |    |    |    | 10 |
| 3    | 25.1626.63 | Washer, 14,8x23x0,1mm Sst.               | 1    |    |    |    |    | 5  |
| 4    | 25.1631.22 | Turbine                                  | 1    |    |    |    |    | 3  |
| 5    | 25.1683.24 | Spares kit -UR16.02 (1)                  | 1    |    |    |    |    | 1  |
| 5    | 25.1659.24 | Spares kit -UR16.025/UR25-32.03 (2)      | 1    |    |    |    |    | 1  |
| 5    | 25.1660.24 | Spares kit -UR16.03/UR32.035 (3)         | 1    |    |    |    |    | 1  |
| 5    | 25.1633.24 | Spares kit -UR16.035/UR25.04/UR32.04 (4) | 1    |    |    |    |    | 1  |
| 5    | 25.1637.24 | Spares kit -UR16.04-045/UR25-32.045 (5)  | 1    |    |    |    |    | 1  |
| 5    | 25.1637.24 | Spares kit -UR16.04-045/UR25-32.045 (6)  | 1    |    |    |    |    | 1  |
| 5    | 25.1638.24 | Spares kit -UR16-25-32.05 (7)            | 1    |    |    |    |    | 1  |
| 5    | 25.1668.24 | Spares kit -UR16-25-32.055 (8)           | 1    |    |    |    |    | 1  |
| 5    | 25.1639.24 | Spares kit -UR16-25-32.06 (9)            | 1    |    |    |    |    | 1  |
| 5    | 25.1640.24 | Spares kit -UR16-25-32.065 (10)          | 1    |    |    |    |    | 1  |
| 5    | 25.1641.24 | Spares kit -UR16-25-32.07 (11)           | 1    |    |    |    |    | 1  |
| 5    | 25.1669.24 | Spares kit -UR16-25-32.08 (12)           | 1    |    |    |    |    | 1  |
| 6    | 25.1624.85 | Seal, 7,2x12x6 mm PTFE                   | 1    |    |    |    |    | 10 |
| 7    | 25.1622.31 | Housing -UR25                            | 1    |    |    |    |    | 3  |
| 8    | 25.1681.85 | Knob -UR16, yellow                       | 1    |    |    |    |    | 3  |
| 9    | 15.2000.40 | Stud, 04 dark yellow (5)                 | 1    |    |    |    |    | 10 |
| 10   | 10.3230.00 | O-Ring, 3,53x7,52 mm Ni 70               | 2    |    |    |    |    | 10 |

- (1) 25.1680.20 (2) 25.1680.25 (3) 25.1680.30 (4) 25.1680.35 (5) 25.1680.40  
 (6) 25.1680.45 (7) 25.1680.50 (8) 25.1680.55 (9) 25.1680.60 (10) 25.1680.65  
 (11) 25.1680.70 (12) 25.1680.80



P.A. S.p.A.  
Via Milano, 13  
42048 Rubiera, Reggio Emilia - Italy  
Tel +39.0522.623611  
Fax +39.0522.629600  
[info@pa-etl.it](mailto:info@pa-etl.it)

[www.pa-etl.it](http://www.pa-etl.it)



COMPANY WITH QUALITY MANAGEMENT  
SYSTEM CERTIFIED BY DNV  
= ISO 9001 =