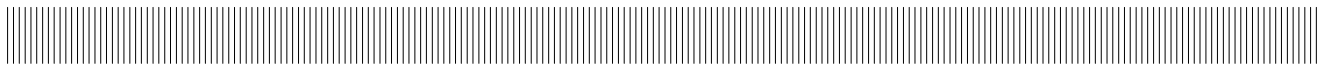


	EQUIPAGGIAMENTI TECNICI LAVAGGIO	UGELLO ROTANTE UR16 BASSA PRESSIONE LOW PRESSURE ROTATING NOZZLE UR16	I GB	4
			29/09/05	

PATENT PENDING

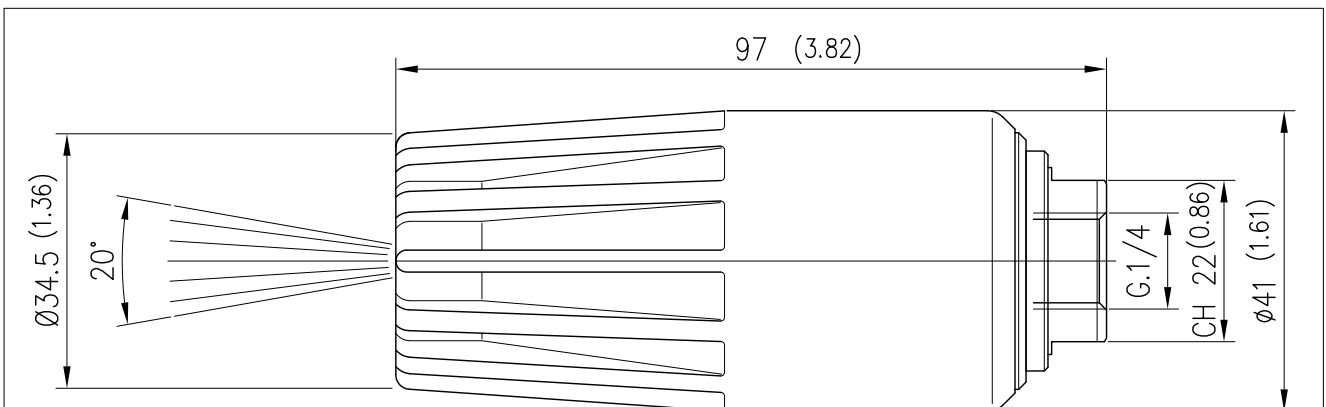


- ROBUSTA COSTRUZIONE IN OTTONE
STRONG BRASS STRUCTURE
- SEDE E UGELLO IN CERAMICA AD ALTISSIMA RESISTENZA
HIGHLY SHOCK-RESISTANT CERAMIC SEAT AND NOZZLE
- ALTO ASSORBIMENTO DEGLI URTI ACCIDENTALI GRAZIE ALLA PROTEZIONE IN PLASTICA 'GIALLA'
HIGH ABSORPTION OF ACCIDENTAL KNOCKS THANKS TO THE 'YELLOW' PLASTIC PROTECTION
- UTILIZZABILE IN OGNI POSIZIONE GRAZIE AL SISTEMA CON MOLLA INTERNA CHE ELIMINA I GIOCHI TRA SEDE E UGELLO.
CAN BE USED IN ANY POSITION THANKS TO THE SYSTEM EQUIPPED WITH INTERNAL SPRING ELIMINATING THE CLEARANCE BETWEEN SEAT AND NOZZLE.

SPECIFICHE TECNICHE - SPECIFICATIONS

- PRESSIONE NOMINALE <i>RATED PRESSURE</i>	160 bar - 16 MPa (2300 psi)
- PRESSIONE MINIMA DI UTILIZZO <i>MIN. OPERATING PRESSURE</i>	30 bar - 3 MPa (435 psi) F.P.02 * 80 bar - 8 MPa (1150 psi)
- PORTATA MINIMA <i>MIN. FLOW</i>	3.1 L/min (0.8 USGp.m.) 30 bar - 3 MPa (435 psi) ugello (nozzle) 025
- PORTATA MASSIMA <i>MAX FLOW</i>	23 L/min (6.1 USGp.m.) 160 bar - 16 MPa (2300 psi) ugello (nozzle) 08
- TEMPERATURA MINIMA <i>MIN. WORKING TEMPERATURE</i>	5° C (41°F)
- TEMPERATURA MASSIMA <i>MAX WORKING TEMPERATURE</i>	100° C (212 °F)
- PESO <i>WEIGHT</i>	0.41 Kg (14.46 oz)

MISURE D'INGOMBRO - OVERALL DIMENSIONS

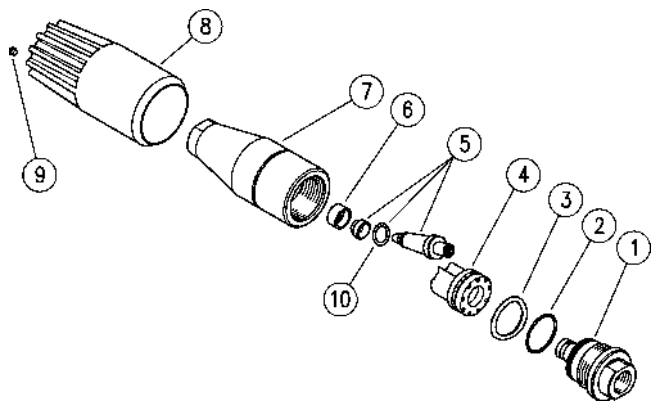


	CODICE <i>CODE</i>	FATTORE DI PORTATA <i>CAPACITY SIZE</i>
*	25.1680.20	02
	25.1680.25	025
	25.1680.30	03
	25.1680.35	035
	25.1680.40	04
	25.1680.45	045

	CODICE <i>CODE</i>	FATTORE DI PORTATA <i>CAPACITY SIZE</i>
	25.1680.50	05
	25.1680.55	055
	25.1680.60	06
	25.1680.65	065
	25.1680.70	07
	25.1680.80	08

- 25.1680.20 UR16-02 Ugello rot.160bar verde chiaro
- 25.1680.25 UR16-025 Ugello rot.160bar rosa
- 25.1680.30 UR16-03 Ugello rot.160bar bianco
- 25.1680.35 UR16-035 Ugello rot.160bar marrone
- 25.1680.40 UR16-04 Ug.rot.160bar, giallo sc.
- 25.1680.45 UR16-045 Ug.rot.160bar, blu

- 25.1680.50 UR16-05 Ug.rot.160bar, viola ch.
- 25.1680.55 UR16-055 Ug.rot.160bar, rosso sc.
- 25.1680.60 UR16-06 Ug.rot.160bar, ver.sc.
- 25.1680.65 UR16-065 Ug.rot.160bar, cel.
- 25.1680.70 UR16-07 Ug.rot.160bar, arancio
- 25.1680.80 UR16-08 Ug.rot.160bar, argento

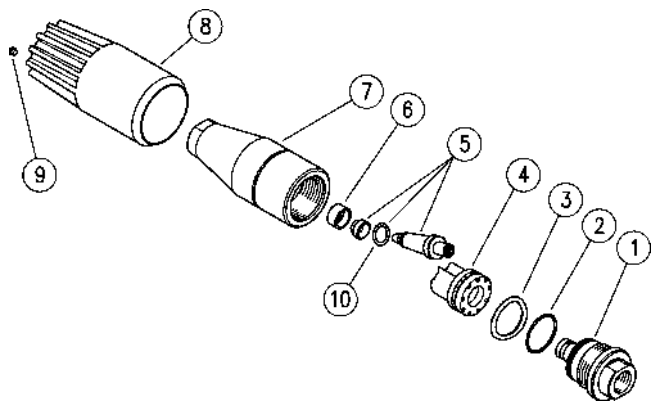


Pos.	Codice	Descrizione	Q.tà	K1	K2	K3	K4	
1	25.1679.31	Raccordo G1/4 F - 1,3 mm-fp02 (1)	1					3
1	25.1676.31	Raccordo G1/4 F - 1,0 mm (2)	1					3
1	25.1677.31	Raccordo G1/4 F - 1,1 mm (3)	1					3
1	25.1662.31	Raccordo G1/4F (4)	1					3
1	25.1663.31	Raccordo G1/4F (5)	1					3
1	25.1634.31	Raccordo G1/4F (6)	1					3
1	25.1634.31	Raccordo G1/4F (7)	1					3
1	25.1635.31	Raccordo G1/4F (8)	1					3
1	25.1635.31	Raccordo G1/4F (9)	1					3
1	25.1645.31	Raccordo G1/4F (10)	1					3
1	25.1636.31	Raccordo G1/4F (11)	1					3
1	25.1646.31	Raccordo G1/4F (12)	1					3
2	10.3072.01	An.OR 1,78x20,35 mm Ni 85	1					10
3	25.1626.63	Rosetta 14,8x23x0,1mm inox	1					5
4	25.1631.22	Turbina	1					3
5	25.1683.24	Kit ric. UR16.02 (1)	1					1
5	25.1659.24	Kit ric. UR16.025/UR25-32.03 (2)	1					1
5	25.1660.24	Kit ric. UR16.03/UR32.035 (3)	1					1
5	25.1633.24	Kit ric. UR16.035/UR25.04/UR32.04 (4)	1					1
5	25.1637.24	Kit ric. UR16.04-045/UR25-32.045 (5)	1					1
5	25.1637.24	Kit ric. UR16.04-045/UR25-32.045 (6)	1					1
5	25.1638.24	Kit ric. UR16-25-32.05 (7)	1					1
5	25.1668.24	Kit ric. UR16-25-32.055 (8)	1					1
5	25.1639.24	Kit ric. UR16-25-32.06 (9)	1					1
5	25.1640.24	Kit ric. UR16-25-32.065 (10)	1					1
5	25.1641.24	Kit ric. UR16-25-32.07 (11)	1					1
5	25.1669.24	Kit ric. UR16-25-32.08 (12)	1					1
6	25.1624.85	Guarn. 7,2x12x6 mm PTFE	1					10
7	25.1622.31	Corpo UR25	1					3
8	25.1681.85	Manopola UR16 gialla	1					3
9	15.2000.40	Chiodo 04 giallo scuro (5)	1					10
10	10.3230.00	An or 3,53 x 7,52 mm Ni 70	2					10

(1) 25.1680.20 (2) 25.1680.25 (3) 25.1680.30 (4) 25.1680.35 (5) 25.1680.40
 (6) 25.1680.45 (7) 25.1680.50 (8) 25.1680.55 (9) 25.1680.60 (10) 25.1680.65
 (11) 25.1680.70 (12) 25.1680.80

- 25.1680.20 UR16-02 Rotat.nzl,160bar, light green
- 25.1680.25 UR16-025 Rotat.nzl,160bar, pink
- 25.1680.30 UR16-03 Rotat.nzl,160bar, white
- 25.1680.35 UR16-035 Rotat.nzl,160bar, brown
- 25.1680.40 UR16-04 Rotat.nzl,160bar, d. yellow
- 25.1680.45 UR16-045 Rotat.nzl,160bar, blue

- 25.1680.50 UR16-05 Rotat.nzl,160bar, l.purp.
- 25.1680.55 UR16-055 Rotat.nzl,160bar, d. red
- 25.1680.60 UR16-06 Rotat.nzl,160bar, d.green
- 25.1680.65 UR16-065 Rotat.nzl,160bar, l.blue
- 25.1680.70 UR16-07 Rotat.nzl,160bar, orange
- 25.1680.80 UR16-08 Rotat.nzl,160bar, silver



Pos.	P/N	Description	Q.ty	K1	K2	K3	K4	
1	25.1679.31	Coupling, 1/4F Bsp - 1,3 mm (1)	1					3
1	25.1676.31	Coupling, 1/4F Bsp - 1,0mm (2)	1					3
1	25.1677.31	Coupling, 1/4F Bsp - 1,1 mm (3)	1					3
1	25.1662.31	Coupling, 1/4 F Bsp (4)	1					3
1	25.1663.31	Coupling, 1/4 F Bsp (5)	1					3
1	25.1634.31	Coupling, 1/4 F Bsp (6)	1					3
1	25.1634.31	Coupling, 1/4 F Bsp (7)	1					3
1	25.1635.31	Coupling, 1/4 F Bsp (8)	1					3
1	25.1635.31	Coupling, 1/4 F Bsp (9)	1					3
1	25.1645.31	Coupling, 1/4 F Bsp (10)	1					3
1	25.1636.31	Coupling, 1/4 F Bsp (11)	1					3
1	25.1646.31	Coupling, 1/4 F Bsp (12)	1					3
2	10.3072.01	O-ring, 1,78x20,35 mm Ni 85	1					10
3	25.1626.63	Washer, 14,8x23x0,1mm Sst.	1					5
4	25.1631.22	Turbine	1					3
5	25.1683.24	Spares kit -UR16.02 (1)	1					1
5	25.1659.24	Spares kit -UR16.025/UR25-32.03 (2)	1					1
5	25.1660.24	Spares kit -UR16.03/UR32.035 (3)	1					1
5	25.1633.24	Spares kit -UR16.035/UR25.04/UR32.04 (4)	1					1
5	25.1637.24	Spares kit -UR16.04-045/UR25-32.045 (5)	1					1
5	25.1637.24	Spares kit -UR16.04-045/UR25-32.045 (6)	1					1
5	25.1638.24	Spares kit -UR16-25-32.05 (7)	1					1
5	25.1668.24	Spares kit -UR16-25-32.055 (8)	1					1
5	25.1639.24	Spares kit -UR16-25-32.06 (9)	1					1
5	25.1640.24	Spares kit -UR16-25-32.065 (10)	1					1
5	25.1641.24	Spares kit -UR16-25-32.07 (11)	1					1
5	25.1669.24	Spares kit -UR16-25-32.08 (12)	1					1
6	25.1624.85	Seal, 7,2x12x6 mm PTFE	1					10
7	25.1622.31	Housing -UR25	1					3
8	25.1681.85	Knob -UR16, yellow	1					3
9	15.2000.40	Stud, 04 dark yellow (5)	1					10
10	10.3230.00	O-Ring, 3,53x7,52 mm Ni 70	2					10

(1) 25.1680.20 (2) 25.1680.25 (3) 25.1680.30 (4) 25.1680.35 (5) 25.1680.40
 (6) 25.1680.45 (7) 25.1680.50 (8) 25.1680.55 (9) 25.1680.60 (10) 25.1680.65
 (11) 25.1680.70 (12) 25.1680.80



P.A. S.p.A.
Via Milano, 13
42048 Rubiera, Reggio Emilia - Italy
Tel +39.0522.623611
Fax +39.0522.629600
info@pa-etl.it

www.pa-etl.it



COMPANY WITH QUALITY MANAGEMENT
SYSTEM CERTIFIED BY DNV
= ISO 9001 =