



**E**QUIPAGGIAMENTI  
**T**ECNICI  
**L**AVAGGIO

**25.12XX.XX**  
**ST3/ST4 UGELLI STURATUBO**  
**ST3/ST4 DRAIN CLEANING NOZZLE**



**4**

05/05/11

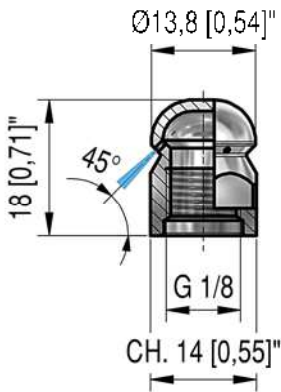
**CARATTERISTICHE TECNICHE - SPECIFICATIONS**

|  |                                     |
|--|-------------------------------------|
| - PRESSIONE NOMINALE<br>RATED PRESSURE           | 350 bar - 35 MPa (5100 psi)         |
| - TEMPERATURA MASSIMA<br>MAX WORKING TEMPERATURE | 90° C (195° F)                      |
| - MATERIALE<br>MATERIAL                          | INOX AISI 303 (STAINLESS STEEL 303) |

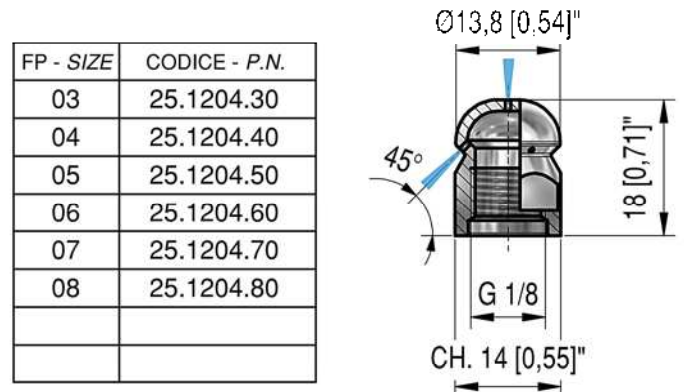
**MISURE D'INGOMBRO - OVERALL DIMENSIONS**

ST3 STURATUBO FISSI - 3 FORI  
ST3 DRAIN CLEANING NOZZLE - 3 HOLES

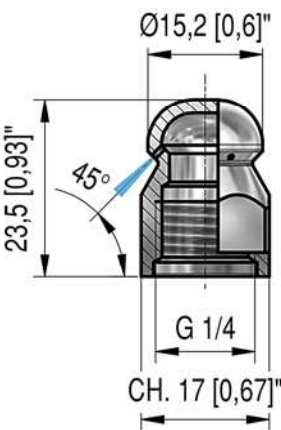
ST4 STURATUBO FISSI - 4 FORI  
ST4 DRAIN CLEANING NOZZLE - 4 HOLES



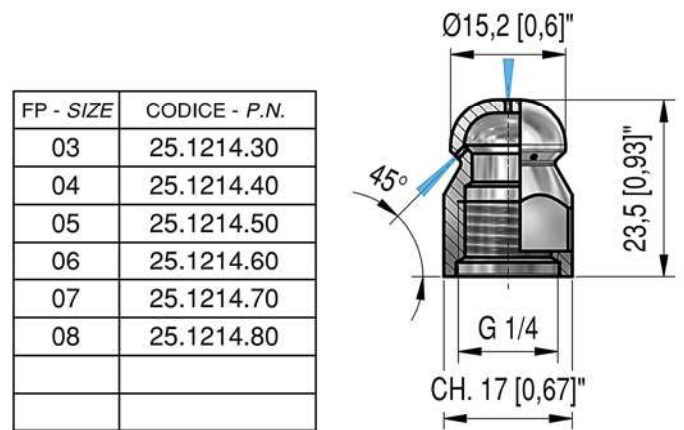
| FP - SIZE | CODICE - P.N. |
|-----------|---------------|
| 03        | 25.1203.30    |
| 04        | 25.1203.40    |
| 05        | 25.1203.50    |
| 06        | 25.1203.60    |
| 07        | 25.1203.70    |
| 08        | 25.1203.80    |
|           |               |
|           |               |



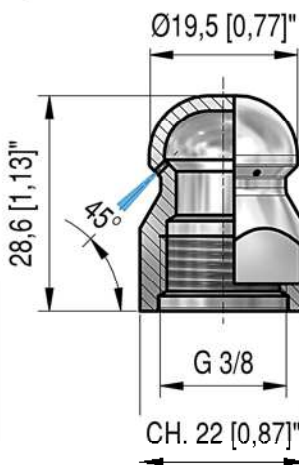
| FP - SIZE | CODICE - P.N. |
|-----------|---------------|
| 03        | 25.1204.30    |
| 04        | 25.1204.40    |
| 05        | 25.1204.50    |
| 06        | 25.1204.60    |
| 07        | 25.1204.70    |
| 08        | 25.1204.80    |
|           |               |
|           |               |



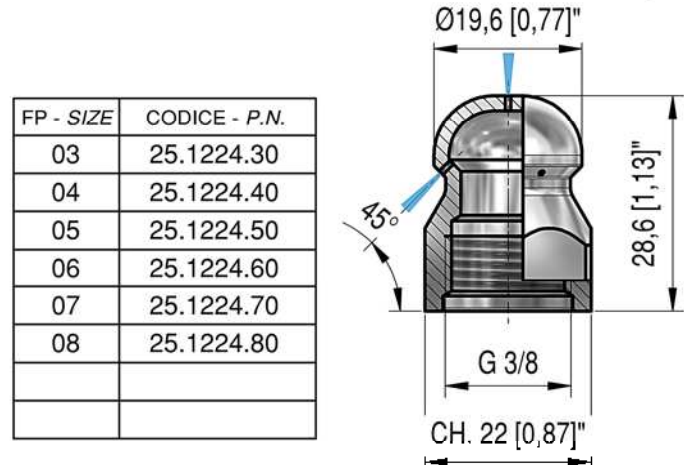
| FP - SIZE | CODICE - P.N. |
|-----------|---------------|
| 03        | 25.1213.30    |
| 04        | 25.1213.40    |
| 05        | 25.1213.50    |
| 06        | 25.1213.60    |
| 07        | 25.1213.70    |
| 08        | 25.1213.80    |
|           |               |
|           |               |



| FP - SIZE | CODICE - P.N. |
|-----------|---------------|
| 03        | 25.1214.30    |
| 04        | 25.1214.40    |
| 05        | 25.1214.50    |
| 06        | 25.1214.60    |
| 07        | 25.1214.70    |
| 08        | 25.1214.80    |
|           |               |
|           |               |



| FP - SIZE | CODICE - P.N. |
|-----------|---------------|
| 03        | 25.1223.30    |
| 04        | 25.1223.40    |
| 05        | 25.1223.50    |
| 06        | 25.1223.60    |
| 07        | 25.1223.70    |
| 08        | 25.1223.80    |
|           |               |
|           |               |



| FP - SIZE | CODICE - P.N. |
|-----------|---------------|
| 03        | 25.1224.30    |
| 04        | 25.1224.40    |
| 05        | 25.1224.50    |
| 06        | 25.1224.60    |
| 07        | 25.1224.70    |
| 08        | 25.1224.80    |
|           |               |
|           |               |