

EQUIPAGGIAMENTI
TECNICI
LAVAGGIO

TESTINA SABBIANTE WIDIA
SAND BLAST UNIT - TUNG. CARBIDE

TS8

①

GB

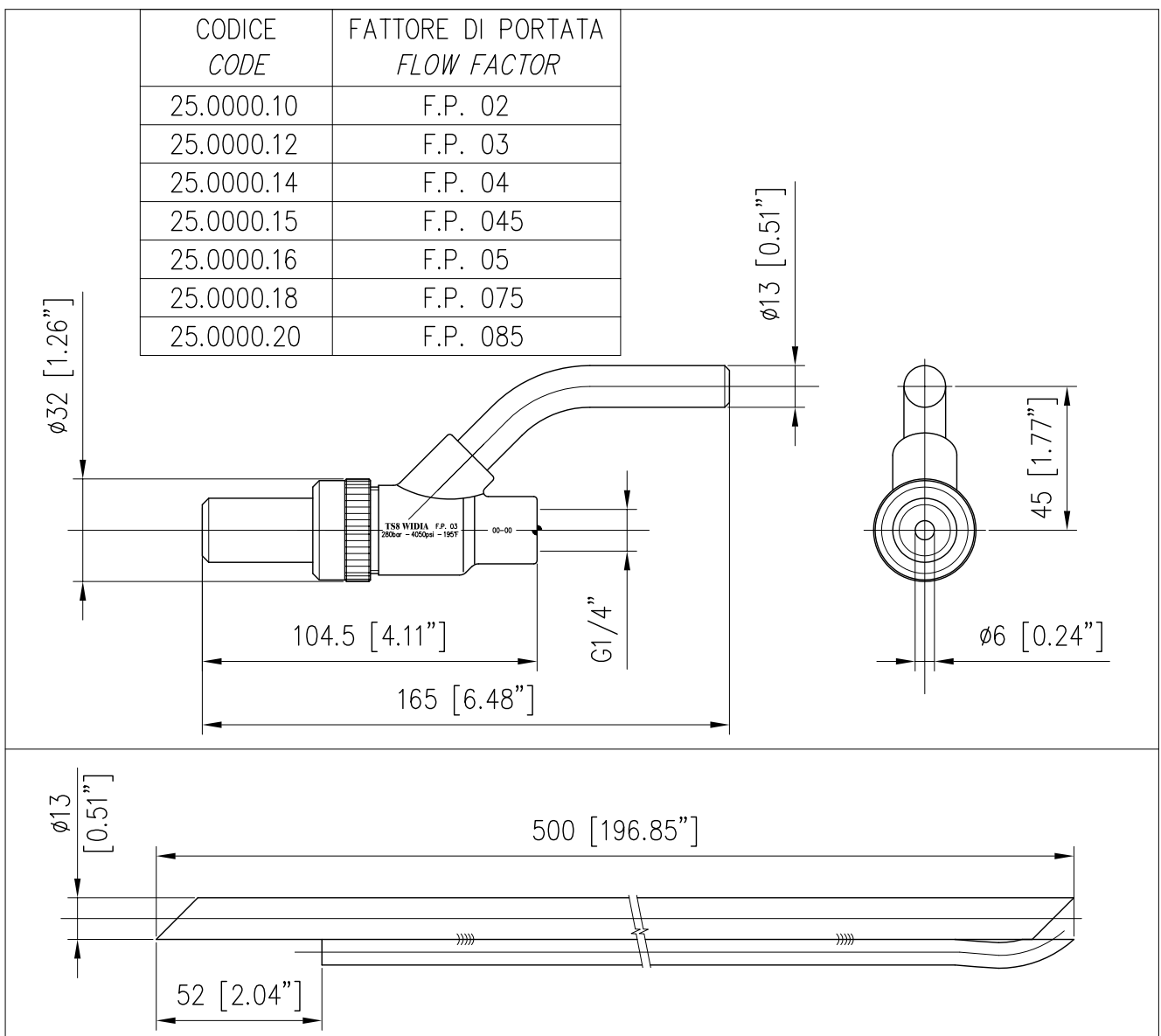
4

23/09/05

SPECIFICHE TECNICHE
SPECIFICATIONS

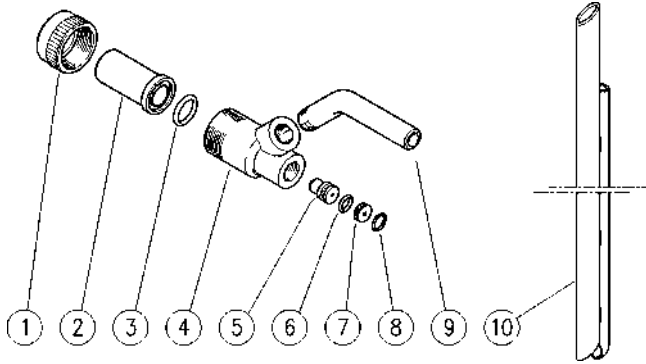
- PRESSIONE NOMINALE RATED PRESSURE	250 bar - 25 MPa (3650 psi)
- PRESSIONE CONSENTITA PERMISSIBLE PRESSURE	280 bar - 28 MPa (4050 psi)
- PORTATA MASSIMA MAX FLOW RATE	40 l/min (10.5 USG p.m.)
- TEMPERATURA MASSIMA MAX WORKING TEMPERATURE	90° C (195 °F)
- MATERIALI MATERIALS	CORPO IN OTTONE CON CONVOGLIATORE INTERNO IN CARBURO DI TUNGSTENO AD ALTA RESISTENZA E SONDA IN ACCIAIO VERNICIATO. BRASS BODY WITH HIGHLY RESISTANT INNER CONVEYOR IN TUNGSTEN CARBIDE AND PAINTED STEEL SENSOR.

MISURE D'INGOMBRO
OVERALL DIMENSIONS



25.0000.10 TS8-02 Test. sabbiente widia
 25.0000.12 TS8-03 Test. sabbiente widia
 25.0000.14 TS8-04 Test. sabbiente widia
 25.0000.15 TS8-045 Test. sabbiente widia

25.0000.16 TS8-05 Test. sabbiente widia
 25.0000.18 TS8-075 Test. sabbiente widia
 25.0000.20 TS8-085 Test. sabbiente widia



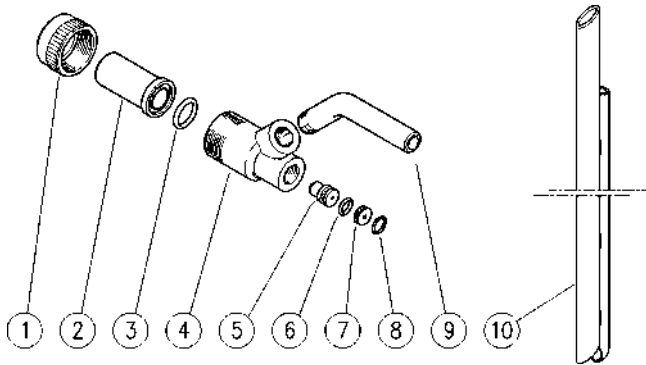
Pos.	Codice	Descrizione	Q.tà	K1	K2	K3	K4	
1	25.0003.31	Girello M27x1,5 ott.	1					5
2	25.0010.23	Ug. convogliat. 6 mm sinterizzato	1					1
3	10.3178.00	An.OR 2,62x13,1 mm	1	•				10
4	25.0011.23	Corpo testina sabbiente	1					1
5	25.0019.51	Ugello 02 d.10,5x15 mm inox	1					5
5	25.0007.51	Ugello 03 d.10,5x15 mm inox (1)	1					5
5	25.0008.51	Ugello 04 d.10,5x15 mm inox (2)	1					5
5	25.0009.51	Ugello 045 d.10,5x15 mm inox (3)	1					5
5	25.0014.51	Ugello 05 d.10,5x15 mm inox (4)	1					5
5	25.0015.51	Ugello 075 d.10,5x15 mm inox (5)	1					5
5	25.0016.51	Ugello 085 d.10,5x15 mm inox (6)	1					5
6	10.3052.00	An.OR 1,78x6,75 mm	1	•				25
7	25.0085.31	Inserto ugello	1	•				5
8	10.3003.00	An.OR 1x8 mm	1	•				10
9	25.0005.66	Racc. ptgm.13 mm- G1/4M zinc.	1					10
10	25.0013.21	Sonda per sabbia +ptgm.13 mm	1					5

Kit	Codice	Descrizione	
K1	25.0021.24	Kit ric.testina sabb. 4x10pz.	1

(1) 25.0000.12 (2) 25.0000.14 (3) 25.0000.15 (4) 25.0000.16 (5) 25.0000.18
 (6) 25.0000.20

- 25.0000.10 TS8-02 Sandblaster, widia
- 25.0000.12 TS8-03 Sandblaster, widia
- 25.0000.14 TS8-04 Sandblaster, widia
- 25.0000.15 TS8-045 Sandblaster, widia

- 25.0000.16 TS8-05 Sandblaster, widia
- 25.0000.18 TS8-075 Sandblaster, widia
- 25.0000.20 TS8-085 Sandblaster, widia



Pos.	P/N	Description	Q.ty	K1	K2	K3	K4	
1	25.0003.31	Hand nut M27x1,5 brass	1					5
2	25.0010.23	Conveyor nozzle, 6 mm sintered	1					1
3	10.3178.00	O-ring, 2,62x13,1 mm	1	•				10
4	25.0011.23	Sandblaster housing	1					1
5	25.0019.51	Nozzle, 02 d.10,5x15 mm Sst.	1					5
5	25.0007.51	Nozzle, 03 d.10,5x15 mm Sst. (1)	1					5
5	25.0008.51	Nozzle, 04 d.10,5x15 mm Sst. (2)	1					5
5	25.0009.51	Nozzle, 045 d.10,5x15 mm Sst. (3)	1					5
5	25.0014.51	Nozzle, 05 d.10,5x15 mm Sst. (4)	1					5
5	25.0015.51	Nozzle, 075 d.10,5x15 mm Sst. (5)	1					5
5	25.0016.51	Nozzle, 085 d.10,5x15 mm Sst. (6)	1					5
6	10.3052.00	O-ring, 1,78x6,75 mm	1	•				25
7	25.0085.31	Nozzle insert	1	•				5
8	10.3003.00	O-ring, 1x8 mm	1	•				10
9	25.0005.66	13 mm hose barb- 1/4M Bsp z.pl.	1					10
10	25.0013.21	Sand probe +13mm hose barb	1					5

Kit	P/N	Description	
K1	25.0021.24	Spares kit -sandblast. 4x10pcs.	1

- (1) 25.0000.12 (2) 25.0000.14 (3) 25.0000.15 (4) 25.0000.16 (5) 25.0000.18
- (6) 25.0000.20



P.A. S.p.A.
Via Milano, 13
42048 Rubiera, Reggio Emilia - Italy
Tel +39.0522.623611
Fax +39.0522.629600
info@pa-etl.it

www.pa-etl.it



COMPANY WITH QUALITY MANAGEMENT
SYSTEM CERTIFIED BY DNV
= ISO 9001 =