

EQUIPAGGIAMENTI
TECNICI
LAVAGGIO

TESTINA SABBIANTE WIDIA
SAND BLAST UNIT - TUNG. CARBIDE

TS8

①

GB

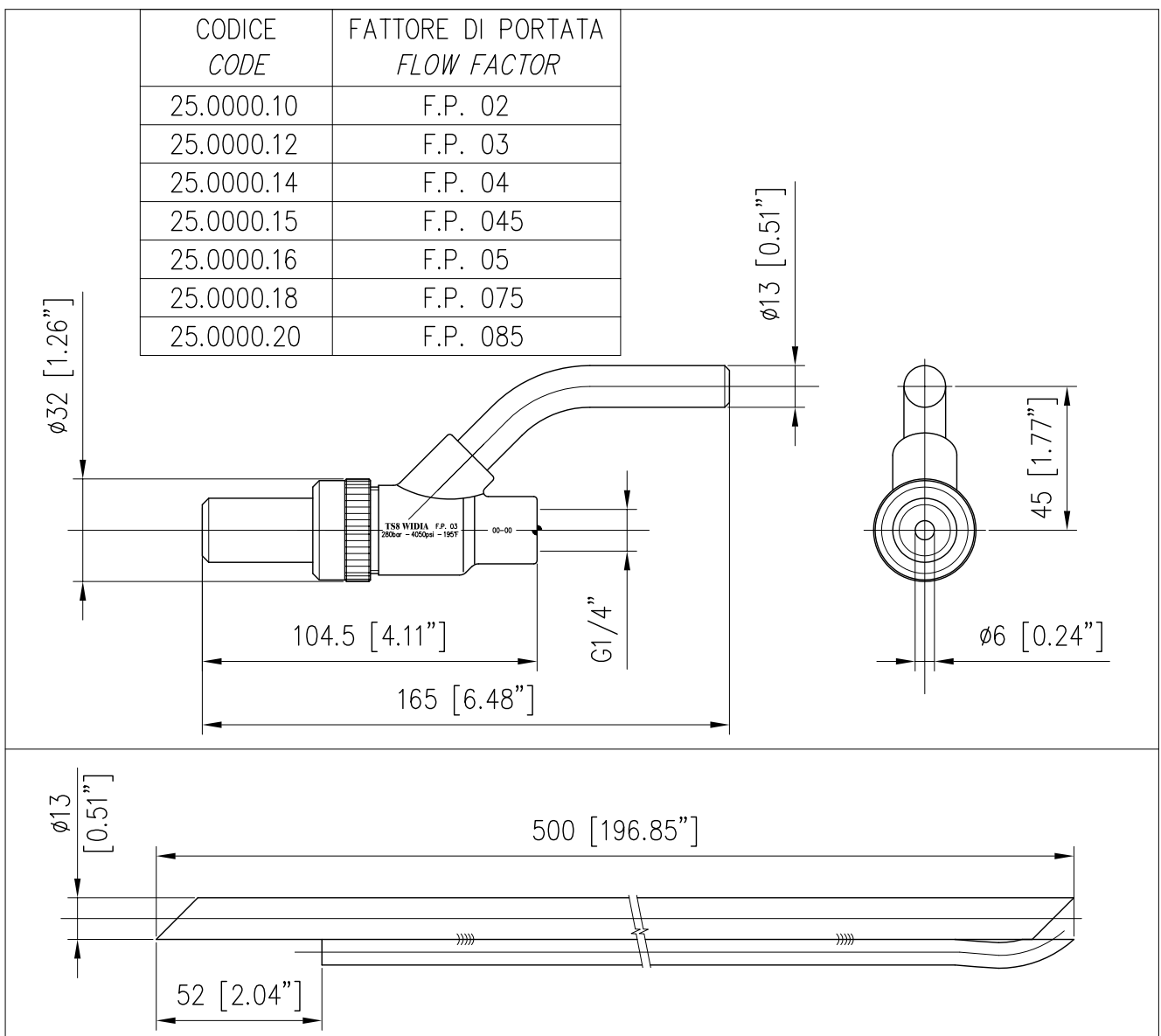
4

23/09/05

SPECIFICHE TECNICHE
SPECIFICATIONS

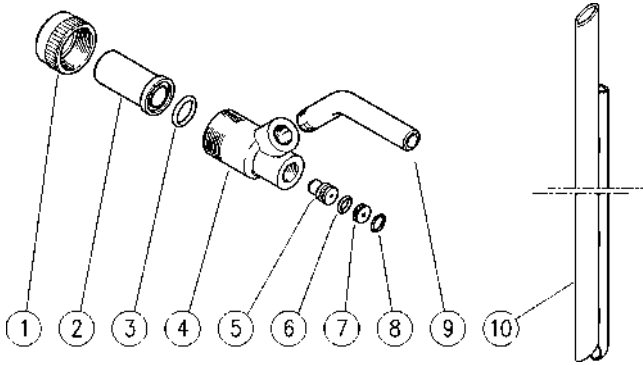
| | |
|--|--|
| - PRESSIONE NOMINALE RATED PRESSURE | 250 bar - 25 MPa (3650 psi) |
| - PRESSIONE CONSENTITA PERMISSIBLE PRESSURE | 280 bar - 28 MPa (4050 psi) |
| - PORTATA MASSIMA MAX FLOW RATE | 40 l/min (10.5 USG p.m.) |
| - TEMPERATURA MASSIMA MAX WORKING TEMPERATURE | 90° C (195 °F) |
| - MATERIALI MATERIALS | CORPO IN OTTONE CON CONVOGLIATORE INTERNO IN CARBURO DI TUNGSTENO AD ALTA RESISTENZA E SONDA IN ACCIAIO VERNICIATO. BRASS BODY WITH HIGHLY RESISTANT INNER CONVEYOR IN TUNGSTEN CARBIDE AND PAINTED STEEL SENSOR. |

MISURE D'INGOMBRO
OVERALL DIMENSIONS



25.0000.10 TS8-02 Test. sabbiante widia
 25.0000.12 TS8-03 Test. sabbiante widia
 25.0000.14 TS8-04 Test. sabbiante widia
 25.0000.15 TS8-045 Test. sabbiante widia

25.0000.16 TS8-05 Test. sabbiante widia
 25.0000.18 TS8-075 Test. sabbiante widia
 25.0000.20 TS8-085 Test. sabbiante widia



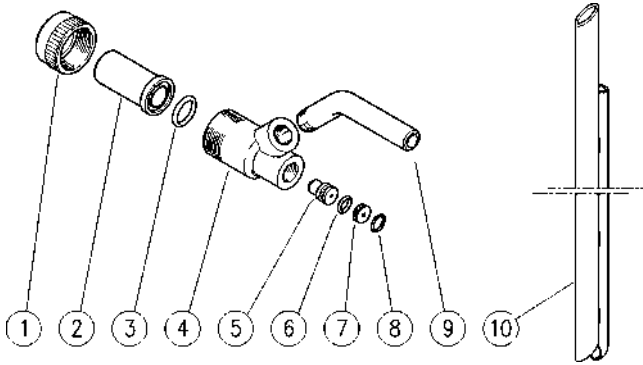
| Pos. | Codice | Descrizione | Q.tà | K1 | K2 | K3 | K4 | |
|------|------------|-----------------------------------|------|----|----|----|----|----|
| 1 | 25.0003.31 | Girello M27x1,5 ott. | 1 | | | | | 5 |
| 2 | 25.0010.23 | Ug. convogliat. 6 mm sinterizzato | 1 | | | | | 1 |
| 3 | 10.3178.00 | An.OR 2,62x13,1 mm | 1 | • | | | | 10 |
| 4 | 25.0011.23 | Corpo testina sabbiante | 1 | | | | | 1 |
| 5 | 25.0019.51 | Ugello 02 d.10,5x15 mm inox | 1 | | | | | 5 |
| 5 | 25.0007.51 | Ugello 03 d.10,5x15 mm inox (1) | 1 | | | | | 5 |
| 5 | 25.0008.51 | Ugello 04 d.10,5x15 mm inox (2) | 1 | | | | | 5 |
| 5 | 25.0009.51 | Ugello 045 d.10,5x15 mm inox (3) | 1 | | | | | 5 |
| 5 | 25.0014.51 | Ugello 05 d.10,5x15 mm inox (4) | 1 | | | | | 5 |
| 5 | 25.0015.51 | Ugello 075 d.10,5x15 mm inox (5) | 1 | | | | | 5 |
| 5 | 25.0016.51 | Ugello 085 d.10,5x15 mm inox (6) | 1 | | | | | 5 |
| 6 | 10.3052.00 | An.OR 1,78x6,75 mm | 1 | • | | | | 25 |
| 7 | 25.0085.31 | Inserto ugello | 1 | • | | | | 5 |
| 8 | 10.3003.00 | An.OR 1x8 mm | 1 | • | | | | 10 |
| 9 | 25.0005.66 | Racc. ptgm.13 mm- G1/4M zinc. | 1 | | | | | 10 |
| 10 | 25.0013.21 | Sonda per sabbia +ptgm.13 mm | 1 | | | | | 5 |

| Kit | Codice | Descrizione | |
|-----|------------|-------------------------------|---|
| K1 | 25.0021.24 | Kit ric.testina sabb. 4x10pz. | 1 |

(1) 25.0000.12 (2) 25.0000.14 (3) 25.0000.15 (4) 25.0000.16 (5) 25.0000.18
 (6) 25.0000.20

25.0000.10 TS8-02 Sandblaster, widia
 25.0000.12 TS8-03 Sandblaster, widia
 25.0000.14 TS8-04 Sandblaster, widia
 25.0000.15 TS8-045 Sandblaster, widia

25.0000.16 TS8-05 Sandblaster, widia
 25.0000.18 TS8-075 Sandblaster, widia
 25.0000.20 TS8-085 Sandblaster, widia



| Pos. | P/N | Description | Q.ty | K1 | K2 | K3 | K4 | |
|------|------------|-----------------------------------|------|----|----|----|----|----|
| 1 | 25.0003.31 | Hand nut M27x1,5 brass | 1 | | | | | 5 |
| 2 | 25.0010.23 | Conveyor nozzle, 6 mm sintered | 1 | | | | | 1 |
| 3 | 10.3178.00 | O-ring, 2,62x13,1 mm | 1 | • | | | | 10 |
| 4 | 25.0011.23 | Sandblaster housing | 1 | | | | | 1 |
| 5 | 25.0019.51 | Nozzle, 02 d.10,5x15 mm Sst. | 1 | | | | | 5 |
| 5 | 25.0007.51 | Nozzle, 03 d.10,5x15 mm Sst. (1) | 1 | | | | | 5 |
| 5 | 25.0008.51 | Nozzle, 04 d.10,5x15 mm Sst. (2) | 1 | | | | | 5 |
| 5 | 25.0009.51 | Nozzle, 045 d.10,5x15 mm Sst. (3) | 1 | | | | | 5 |
| 5 | 25.0014.51 | Nozzle, 05 d.10,5x15 mm Sst. (4) | 1 | | | | | 5 |
| 5 | 25.0015.51 | Nozzle, 075 d.10,5x15 mm Sst. (5) | 1 | | | | | 5 |
| 5 | 25.0016.51 | Nozzle, 085 d.10,5x15 mm Sst. (6) | 1 | | | | | 5 |
| 6 | 10.3052.00 | O-ring, 1,78x6,75 mm | 1 | • | | | | 25 |
| 7 | 25.0085.31 | Nozzle insert | 1 | • | | | | 5 |
| 8 | 10.3003.00 | O-ring, 1x8 mm | 1 | • | | | | 10 |
| 9 | 25.0005.66 | 13 mm hose barb- 1/4M Bsp z.pl. | 1 | | | | | 10 |
| 10 | 25.0013.21 | Sand probe +13mm hose barb | 1 | | | | | 5 |

| Kit | P/N | Description | |
|-----|------------|---------------------------------|---|
| K1 | 25.0021.24 | Spares kit -sandblast. 4x10pcs. | 1 |

(1) 25.0000.12 (2) 25.0000.14 (3) 25.0000.15 (4) 25.0000.16 (5) 25.0000.18
 (6) 25.0000.20



P.A. S.p.A.
Via Milano, 13
42048 Rubiera, Reggio Emilia - Italy
Tel +39.0522.623611
Fax +39.0522.629600
info@pa-etl.it

www.pa-etl.it



COMPANY WITH QUALITY MANAGEMENT
SYSTEM CERTIFIED BY DNV
= ISO 9001 =